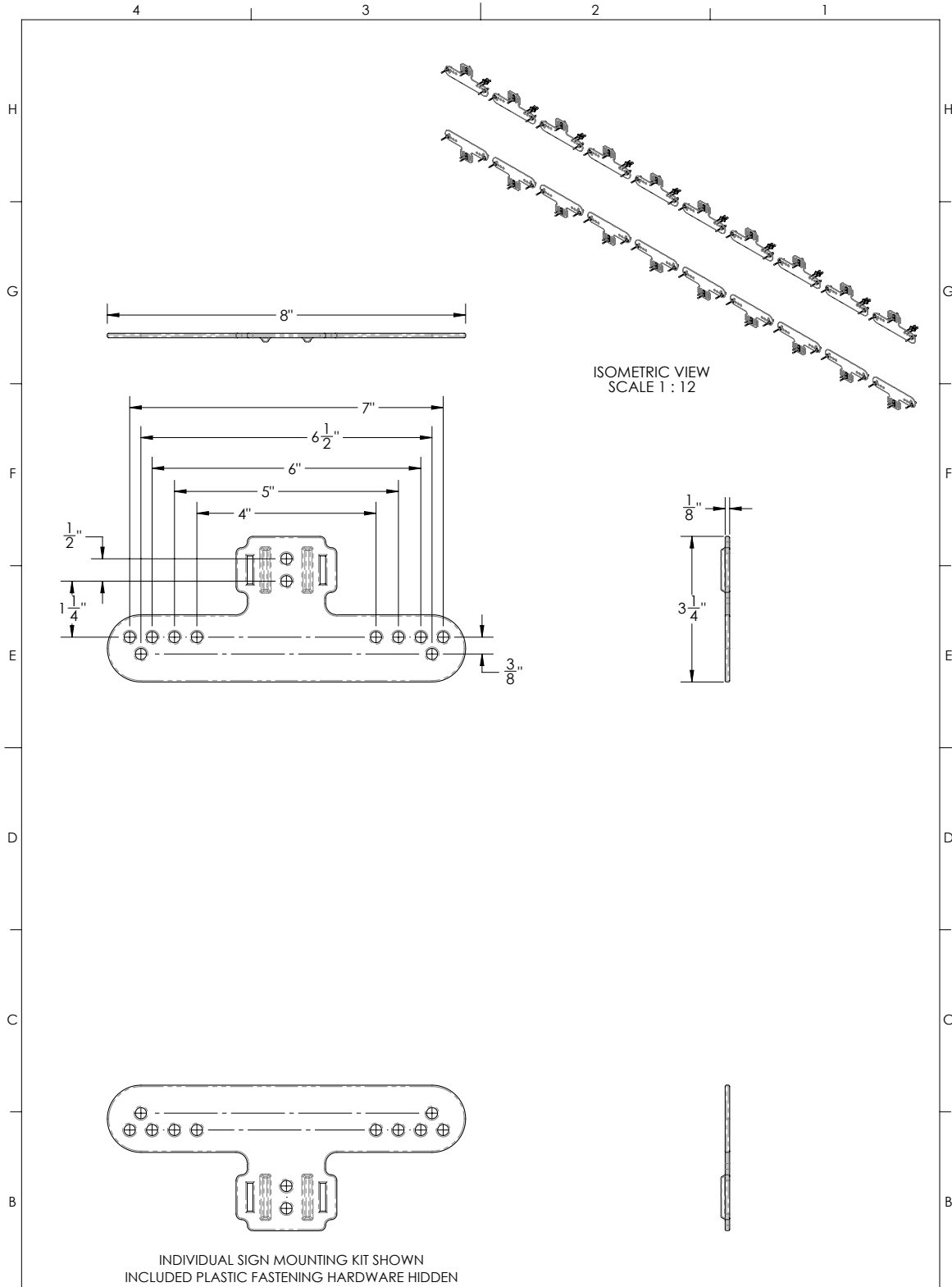


901706-10

RF Safety Sign Support, Round or Flat Mounting



SPECIFICATIONS



<p>10205 FEDERAL DRIVE COLORADO SPRINGS, CO 80908 PH: 719-599-3400 FX: 719-599-0057 CS.SALES@VALMONT.COM</p>		<p>DO NOT SCALE DWG</p>	<p>MODEL:</p> <p>KIT, RF SAFETY SIGN SUPPORT, ROUND OR FLAT MOUNTING</p>
<p>APPROX. WEIGHT (DOES NOT INCLUDE RF EQUIPMENT)</p> <p>LBS</p>		<p>DIMENSIONS ARE IN INCHES</p>	
<p>APPROX. VOLUME (DOES NOT INCLUDE RF EQUIPMENT)</p> <p>FT³</p>		<p>SALES NUMBER:</p> <p>901706-10</p>	<p>SHEET:</p> <p>1 OF 3</p>
<p>PROPRIETARY INFORMATION USE, REPRODUCTION, OR DISCLOSURE IS SUBJECT TO RESTRICTIONS SET FORTH IN NON-DISCLOSURE AGREEMENTS AND PERTINENT CONTRACTUAL DOCUMENTS. © 2024 ConcealFab, Inc. - All Rights Reserved</p>		<p>MODELED BY: FNM 04/26/24</p> <p>DRAWN BY: FNM 06/12/24</p> <p>APPROVED BY: JAM 06/13/24</p>	<p>SCALE: 1:2</p> <p>SHEET SIZE: B</p> <p>REV: A</p>

PLEASE READ ALL INSTRUCTIONS BEFORE BEGINNING INSTALLATION



concealfab.com/products

- These guidelines are provided in good faith to help prevent any problems caused by errors in installation. They are intended to be strictly recommendations and are not to serve as a step-by-step, fail-safe installation checklist.
- Selection of an experienced installer is the sole responsibility of the project owner and architect.
- **ConcealFab shall not be** held responsible for installation actions taken or not taken. There are many details of installation that are assumed to be general construction knowledge to experienced installers; which are not included in these instructions.
- **ConcealFab does not accept** any responsibility for job failure resulting from or associated with improper site environmental conditions and other installation failures.

RECOMMENDED TOOLS

Equivalent tools can be used in place of recommended.



Plastic Hand Riveter



NOTES:

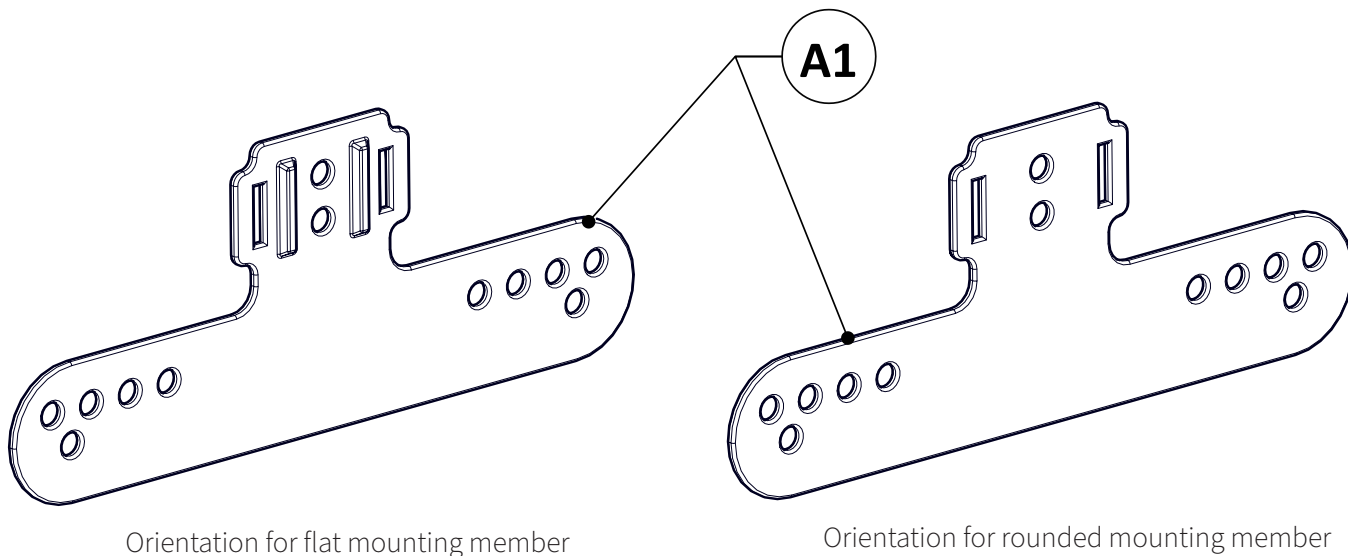
- Stainless steel hardware to have **antiseize lubricant** applied.
- All **hardware** to be **hand tightened** unless otherwise specified.
- **Hand tighten:** as tight as can be made by hand using a standard tool. (ex. screwdriver, ratchet, wrench, etc)
- Use of power tools may cause **damage** to threads and render fastening features inoperable. (ex. power drill, impact driver, etc)

SUPPLIED PARTS & HARDWARE

ID	Qty	Description	Part No.
A	10	KIT, SINGLE RF SAFETY SIGN SUPPORT, ROUND OR FLAT MOUNTING	CF147159
A1	2	SAFETY SIGN SUPPORT	CF146815
A2	10	RIVET, BLIND, .195", NYLON, DOME, .059"-.177" GRIP	CF147044

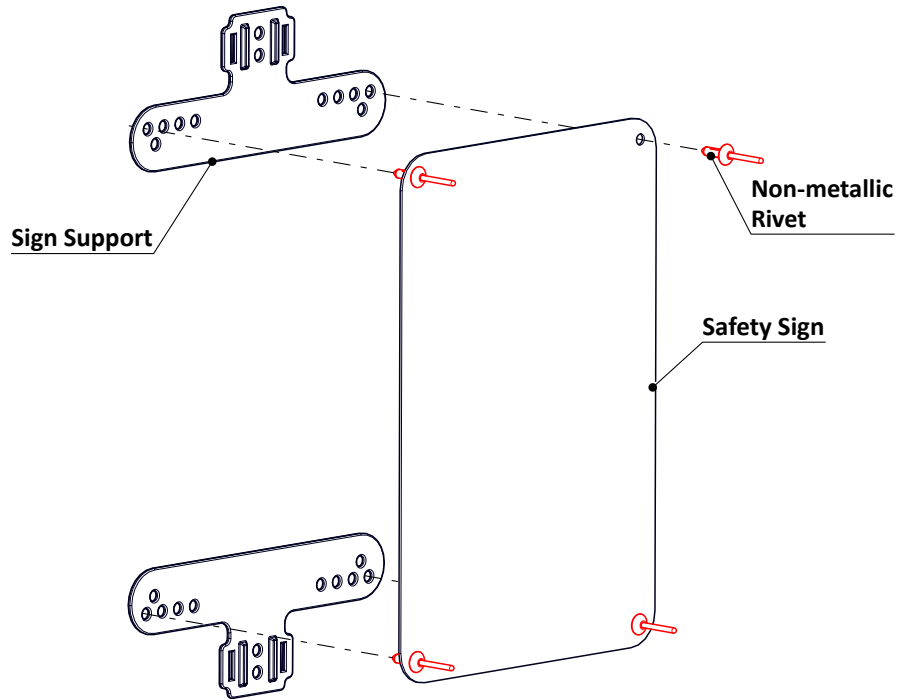
ASSEMBLY

NOTE: Determine whether mounting member for **Sign Supports (Item A1)** is flat or rounded.

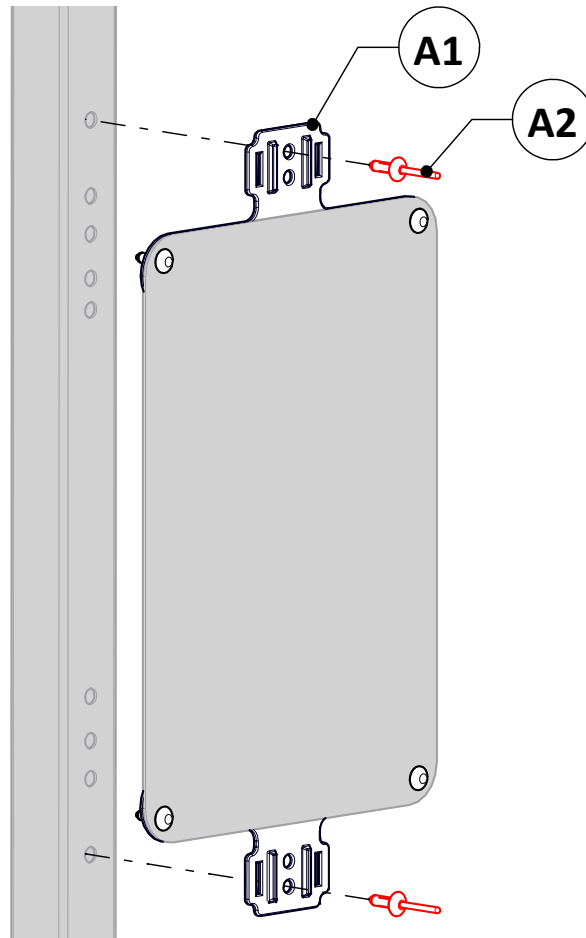


ASSEMBLY MOUNTING PER FLAT MEMBER

STEP 1: Install **Safety Sign (By others)** to **Sign Supports (Item A1)** using **Rivets (Items A2)**. **Sign Supports** contain multiple holes to accommodate a variety of sign sizes.

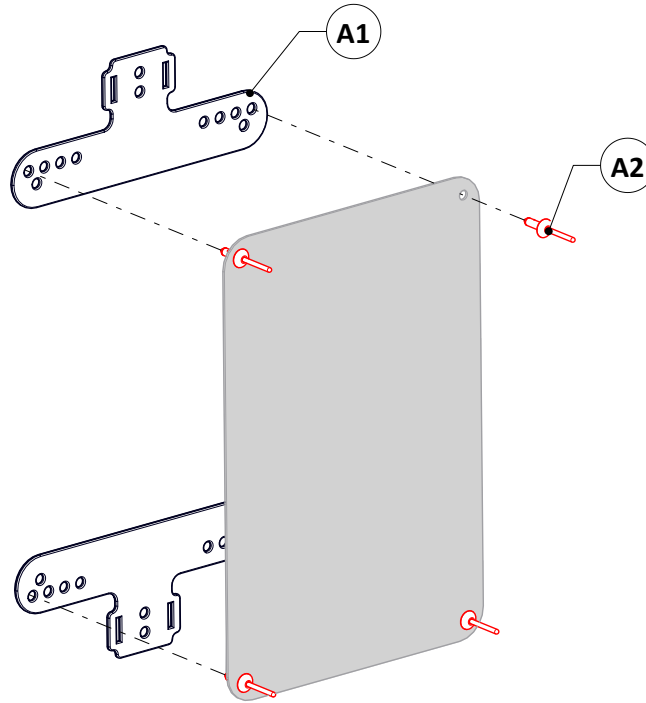


STEP 2: Install **Sign Supports (Item A)** to **flat-sided post (By others)**.



ASSEMBLY MOUNTING PER ROUNDED MEMBER

STEP 1: Install **Safety Sign (By others)** to **Sign Supports (Item A1)** using **Rivets (Items A2)**. **Sign Supports** contain multiple holes to accommodate a variety of sign sizes.



STEP 2: Install **Sign Supports (Item A)** to rounded post (**By others**).

Cable Straps (Sold Separately)
(900443-16-50)(900443-27-25)

