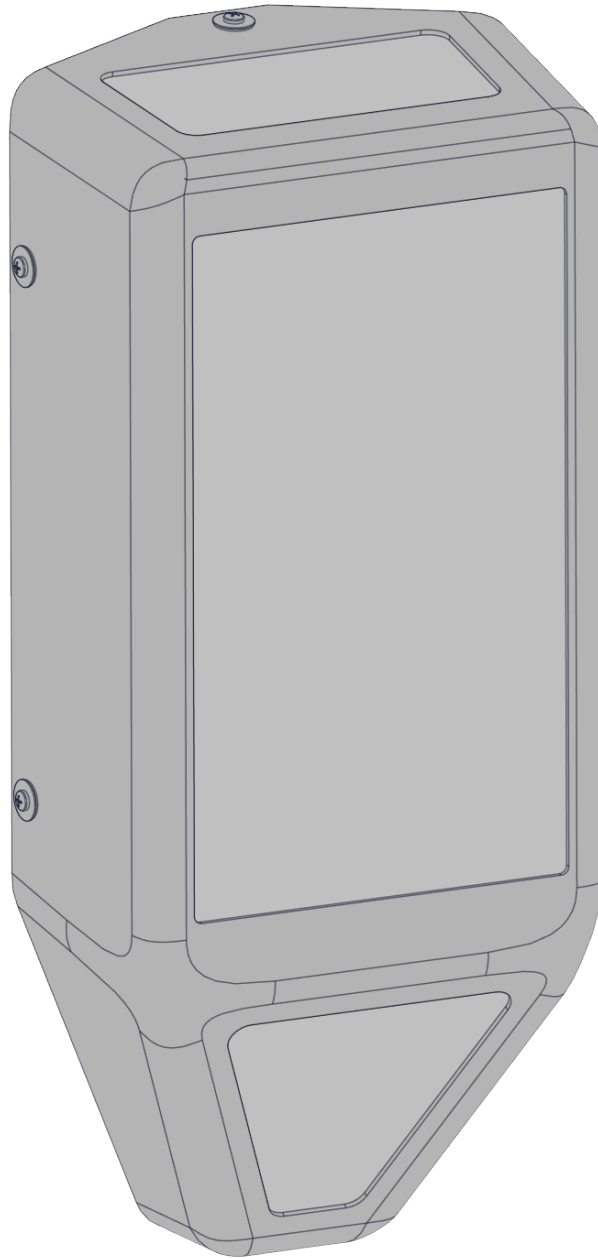


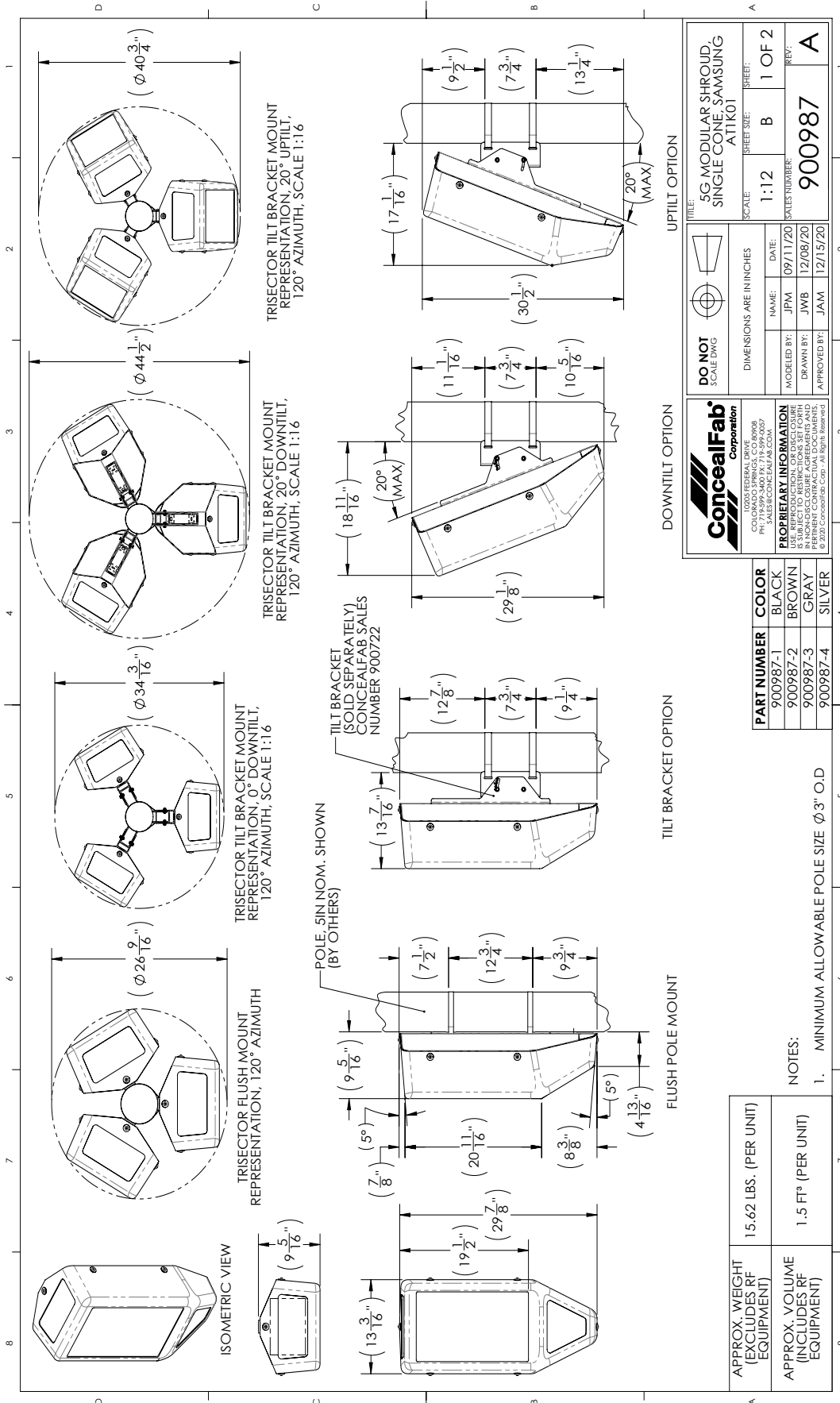
900987 5G Modular Shroud, Single Cone, Samsung AT1K01



CONTENTS



SPECIFICATIONS	3
SUPPLIED PARTS & HARDWARE	4
RECOMMENDED TOOLS	5
ASSEMBLY	6

SPECIFICATIONS



SUPPLIED PARTS & HARDWARE

	ITEM	QTY	DESCRIPTION	PART NO.	PKG'D
	A	1	5G BRACKET ATTACHMENT	111751	
	B	1	BRACKET, SAMSUNG AT1K01 MODULAR SHROUD	125000	
	C	1	KIT, SAMSUNG AT1K01 MOUNTING HARDWARE	125159	
	C1	4	HHCS, M6 X 1MM X 20MM LG, FT, 18-8 SS	010911	
	C2	4	WASHER, FLAT, M6, 18-8 SS	002567	
	C3	4	WASHER, SPLIT LOCK, M6, 18-8 SS	006975	
	D	1	SCREEN BACKPAN	124997	
	E	1	PLUG, 2-1/2" X 1-1/2"	111539	
	F	1	KIT, BRACKET FASTENERS	123979	
	F1	6	NUT, SERRATED FLANGE, 5/16"-18, 18-8 SS	119250	

	G	1	SHROUD, FRONT	125002	
	H	6	WASHER, SEALING, 1/4", 18-8 SS, 1" O.D., PHMS, 1/4"-20 X 3/4" LG, 18-8 SS	100345	
	J	1	CORROSION RESISTANT ANTISEIZE, NICKEL, VIBRA-TITE, 90722	002954	

Note: Stainless steel hardware to have antiseize lubricant applied.

RECOMMENDED TOOLS



Deep Well Socket



Crescent Wrench



Socket Wrench

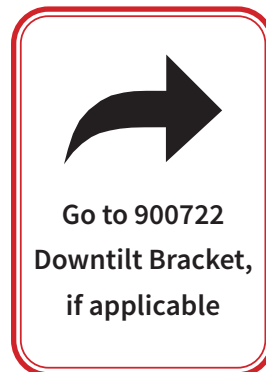
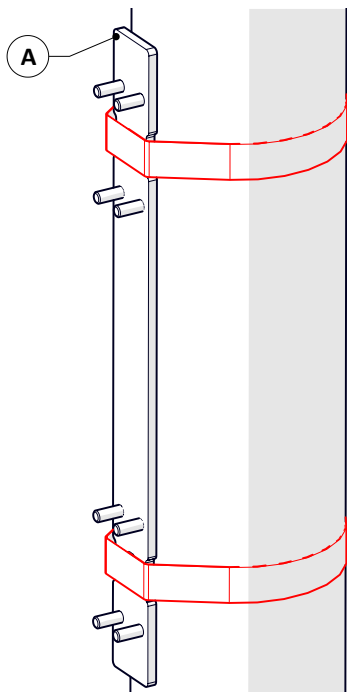


Phillips Screw Driver

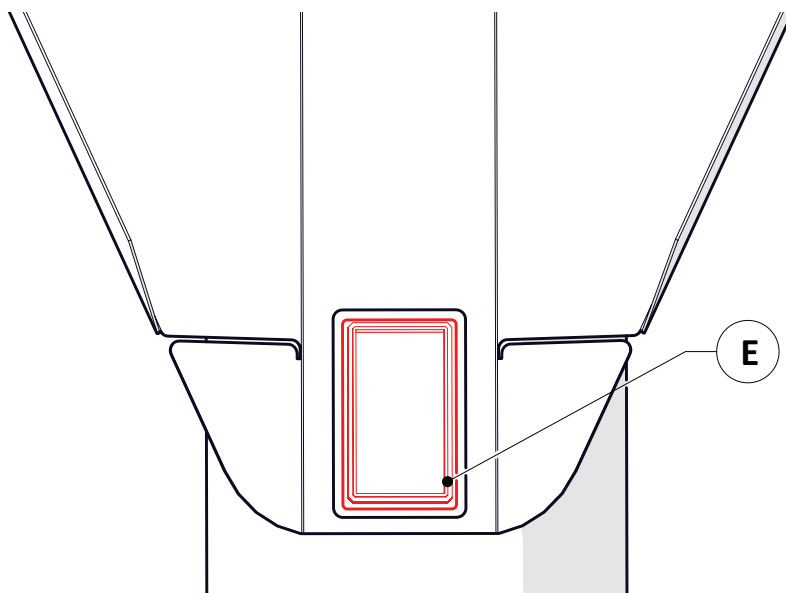
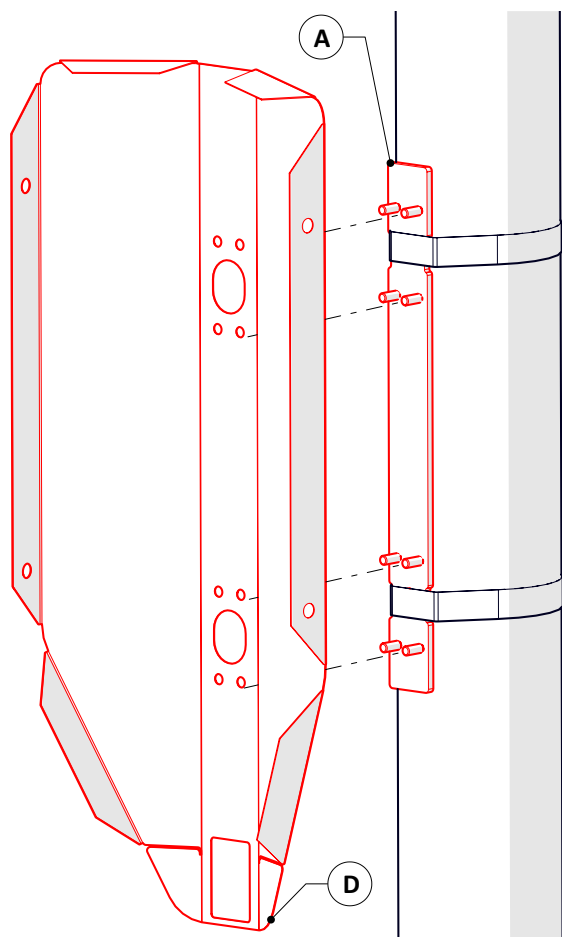
ASSEMBLY

STEP 1: Install **5G Bracket Attachment (Item A)** to **Pole** using 3/4" band clamps or 5/8" lag bolts (hardware by others).

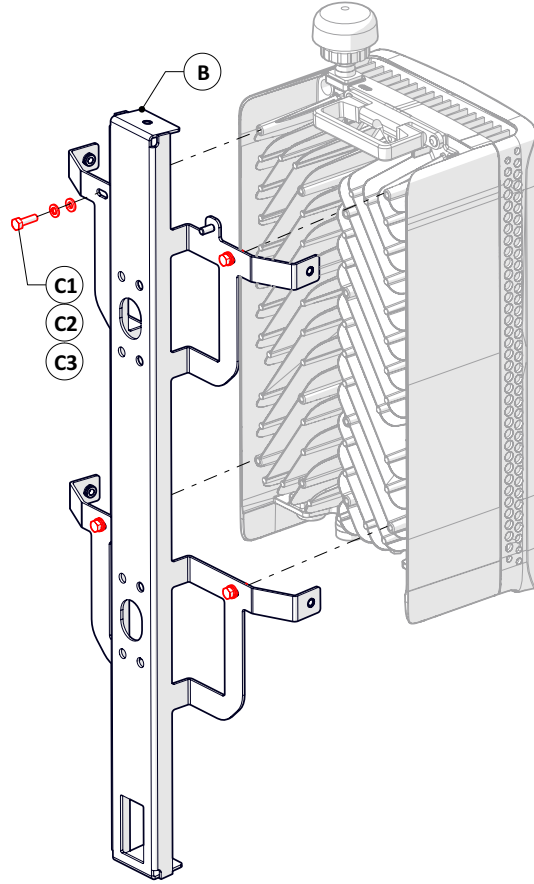
NOTE: 900722 **Downtilt Bracket** may be used for pole installation.



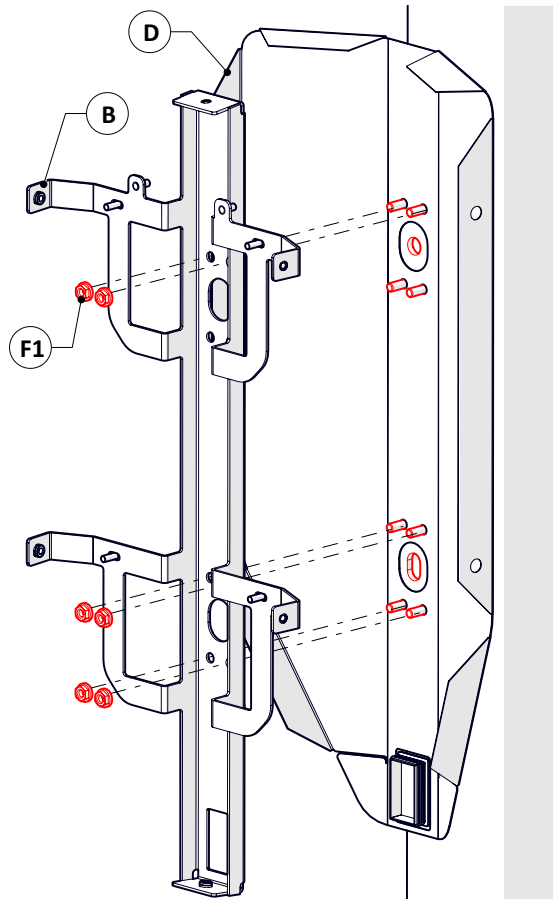
STEP 2: Set **Screen Backpan (Item D)** on **Item A**. **Rectangular Plug (Item E)** and two side knockouts removable as needed for cable routing.



STEP 3: Install **Samsung AT1K01 Radio (by others)** to **Samsung AT1K01 Modular Shroud Bracket (Item B)**.



STEP 4: Install **Item B assembly** to **5G Bracket Attachment (Item A)**. Radio hidden for clarity.



STEP 5: Install **Front Shroud (Item G)** to **Screen Backpan (Item D)**.

