

APPROX. WEIGHT (EXCLUDES RF EQUIPMENT)	15.62 LBS. (PER UNIT)
APPROX. VOLUME (INCLUDES RF EQUIPMENT)	1.5 FT ³ (PER UNIT)

NOTES:
1. MINIMUM ALLOWABLE POLE SIZE $\phi 3"$ O.D

PART NUMBER	COLOR
900987-1	BLACK
900987-2	BROWN
900987-3	GRAY
900987-4	SILVER

ConcealFab Corporation
10205 FEDERAL DRIVE
COLORADO SPRINGS, CO 80908
PH: 719-599-3400 FX: 719-599-0057
SALES@CONCEALFAB.COM

PROPRIETARY INFORMATION
USE, REPRODUCTION, OR DISCLOSURE IS SUBJECT TO RESTRICTIONS SET FORTH IN NON-DISCLOSURE AGREEMENTS AND PERTINENT CONTRACTUAL DOCUMENTS.
© 2020 ConcealFab Corp - All Rights Reserved

DO NOT SCALE DWG

DIMENSIONS ARE IN INCHES

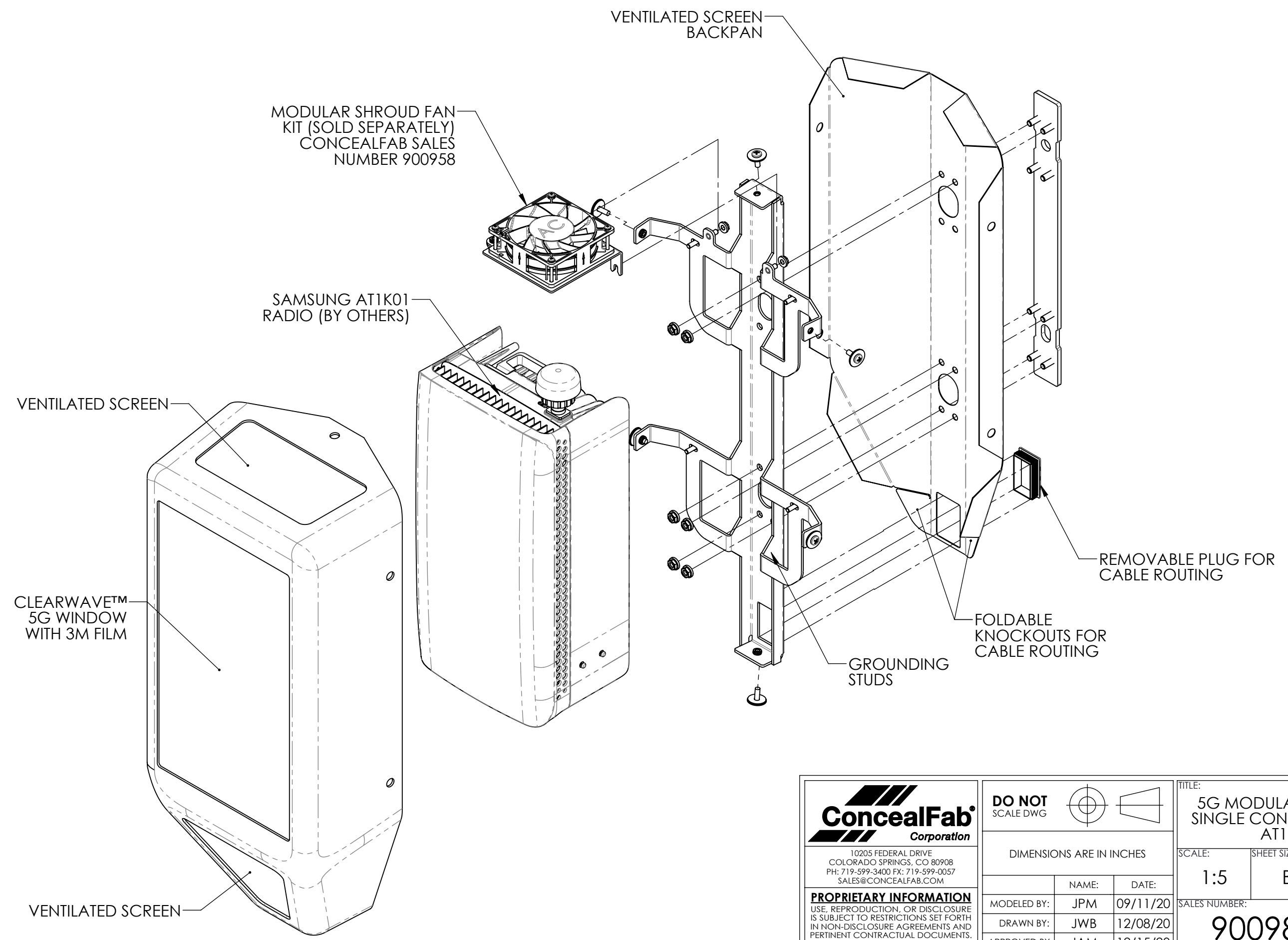
NAME:	DATE:
MODELED BY: JPM	09/11/20
DRAWN BY: JWB	12/08/20
APPROVED BY: JAM	12/15/20

TITLE:
5G MODULAR SHROUD, SINGLE CONE, SAMSUNG AT1K01

SCALE: 1:12	SHEET SIZE: B	SHEET: 1 OF 2
SALES NUMBER: 900987		REV: A

8 7 6 5 4 3 2 1

D
C
B
A



ConcealFab
Corporation

10205 FEDERAL DRIVE
COLORADO SPRINGS, CO 80908
PH: 719-599-3400 FX: 719-599-0057
SALES@CONCEALFAB.COM

PROPRIETARY INFORMATION
USE, REPRODUCTION, OR DISCLOSURE IS SUBJECT TO RESTRICTIONS SET FORTH IN NON-DISCLOSURE AGREEMENTS AND PERTINENT CONTRACTUAL DOCUMENTS.
© 2020 ConcealFab Corp - All Rights Reserved

DO NOT SCALE DWG

DIMENSIONS ARE IN INCHES

	NAME:	DATE:
MODELED BY:	JPM	09/11/20
DRAWN BY:	JWB	12/08/20
APPROVED BY:	JAM	12/15/20

TITLE: 5G MODULAR SHROUD, SINGLE CONE, SAMSUNG AT1K01		
SCALE: 1:5	SHEET SIZE: B	SHEET: 2 OF 2
SALES NUMBER: 900987		REV: A

8 7 6 5 4 3 2 1