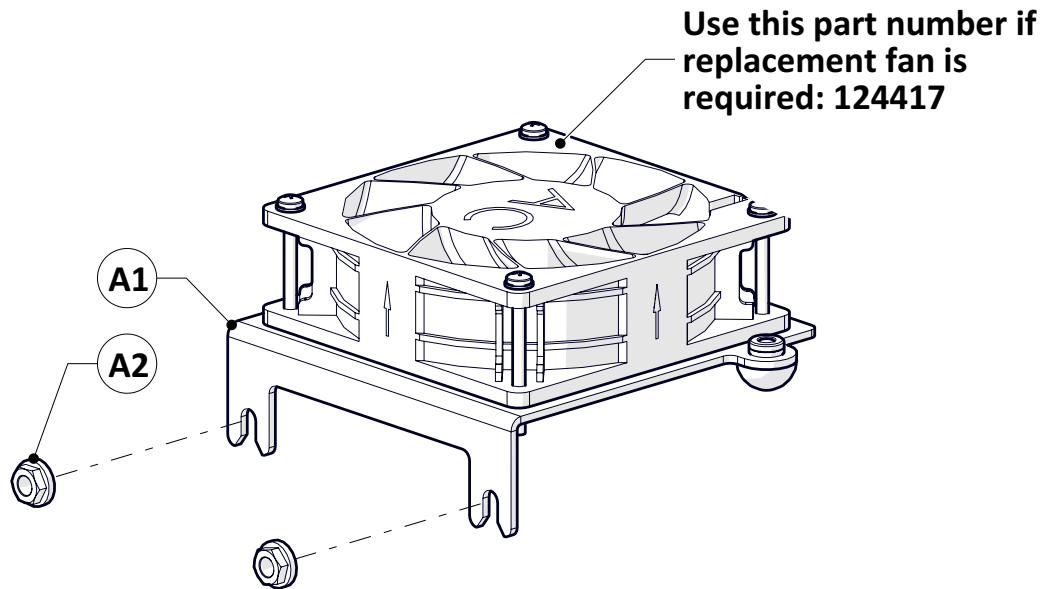


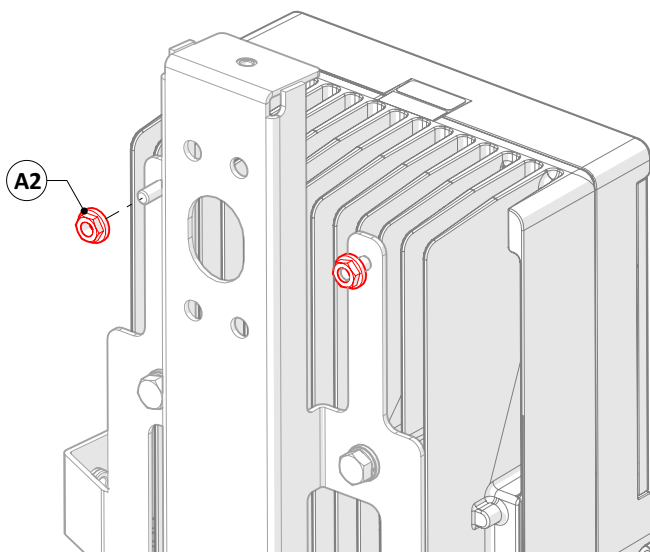
PARTS				
Item	Qty	Description	Part Number	PKG'D
A	1	KIT, FAN BRACKET	900958	
A1	1	FAN BRACKET	123909	
A2	2	NUT, SERRATED FLANGE, 1/4"-20, 18-8 SS	118507	

Note: Stainless steel hardware to have antiseize lubricant applied before assembly.

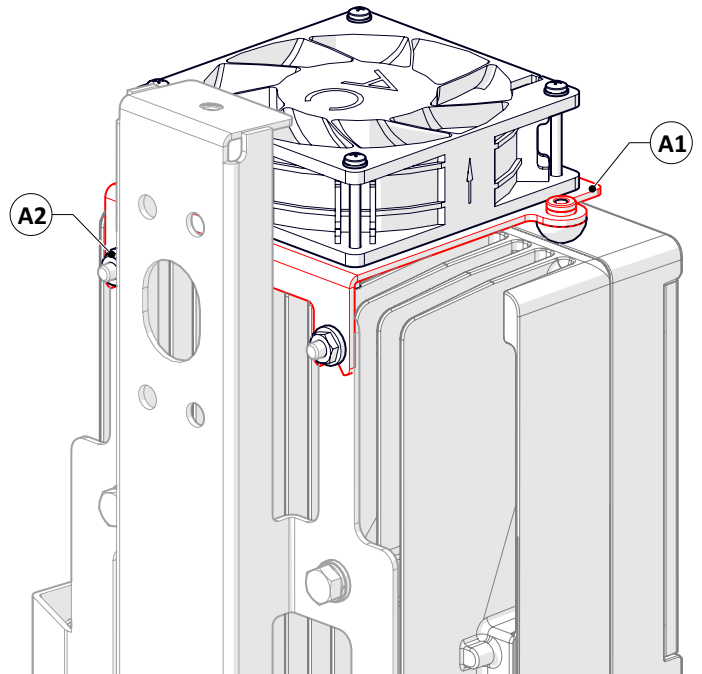


Loosely thread hardware onto mounting studs.

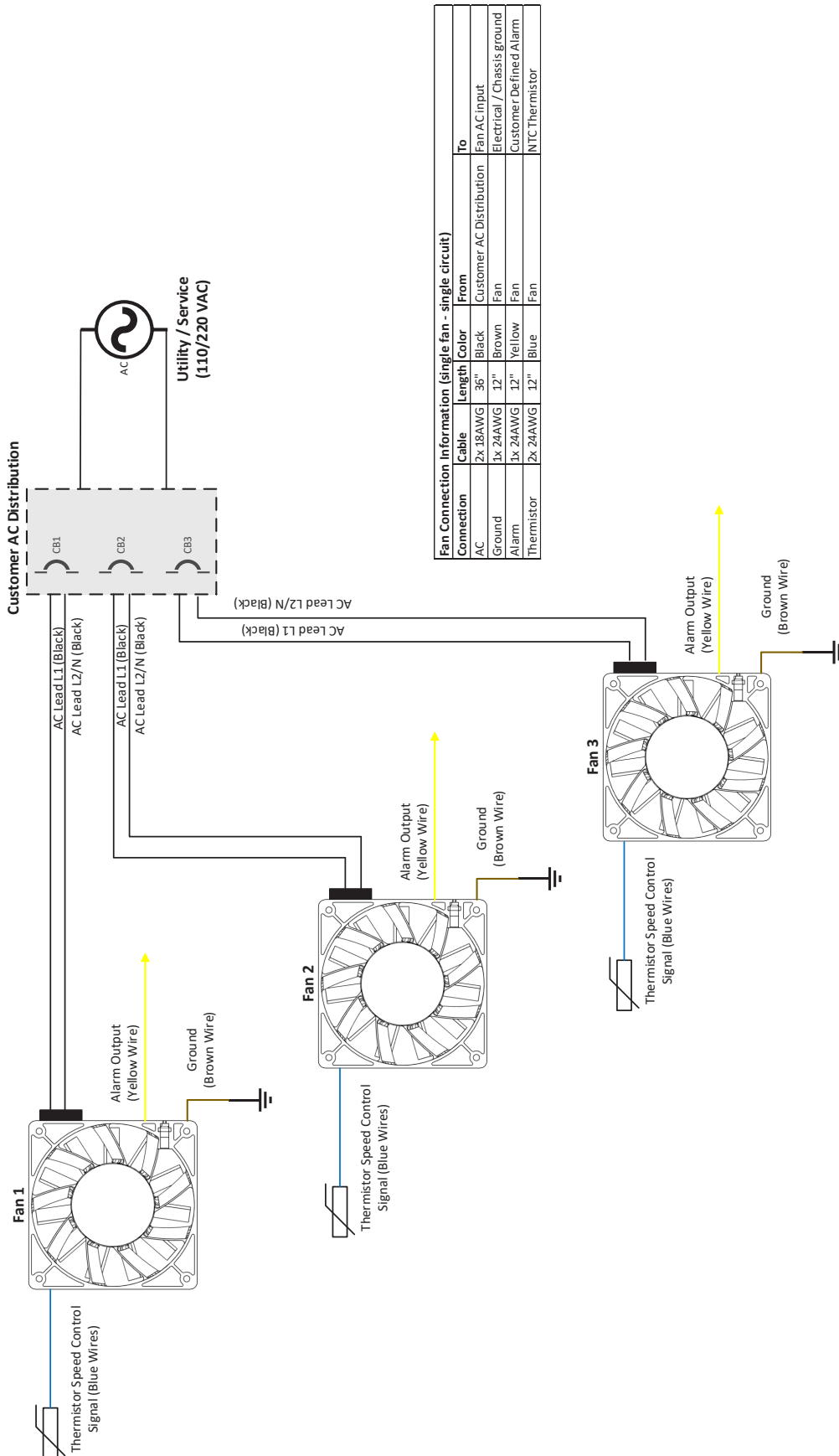
Note: 900783 shown.



Tighten hardware to snug tight.



WIRING DIAGRAM FOR AC DISTRIBUTION BOX



Fan Connection Information (single fan - single circuit)				
Connection	Cable	Length	Color	To
AC	2x 18AWG	36"	Black	Fan AC input
Ground	1x 24AWG	12"	Brown	Customer AC Distribution
Alarm	1x 24AWG	12"	Yellow	Fan
Thermistor	2x 24AWG	12"	Blue	Fan

WIRING DIAGRAM FOR JUNCTION BOX

