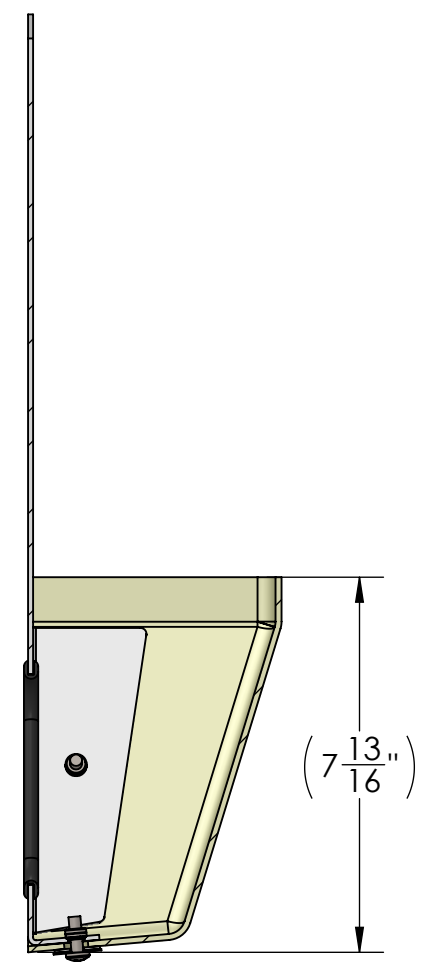
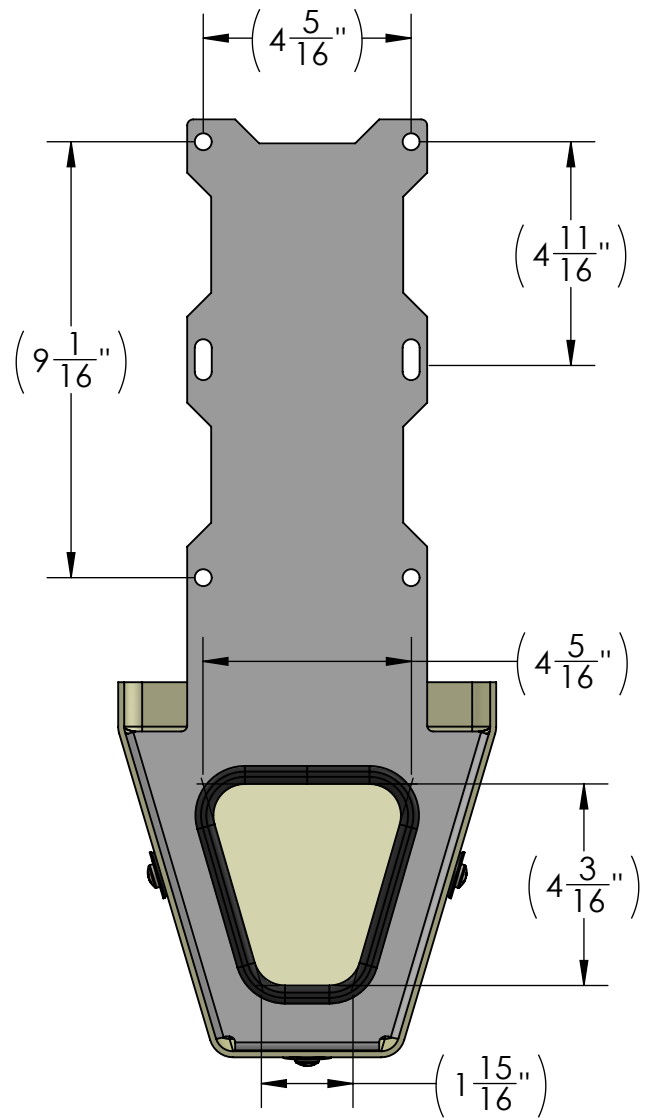
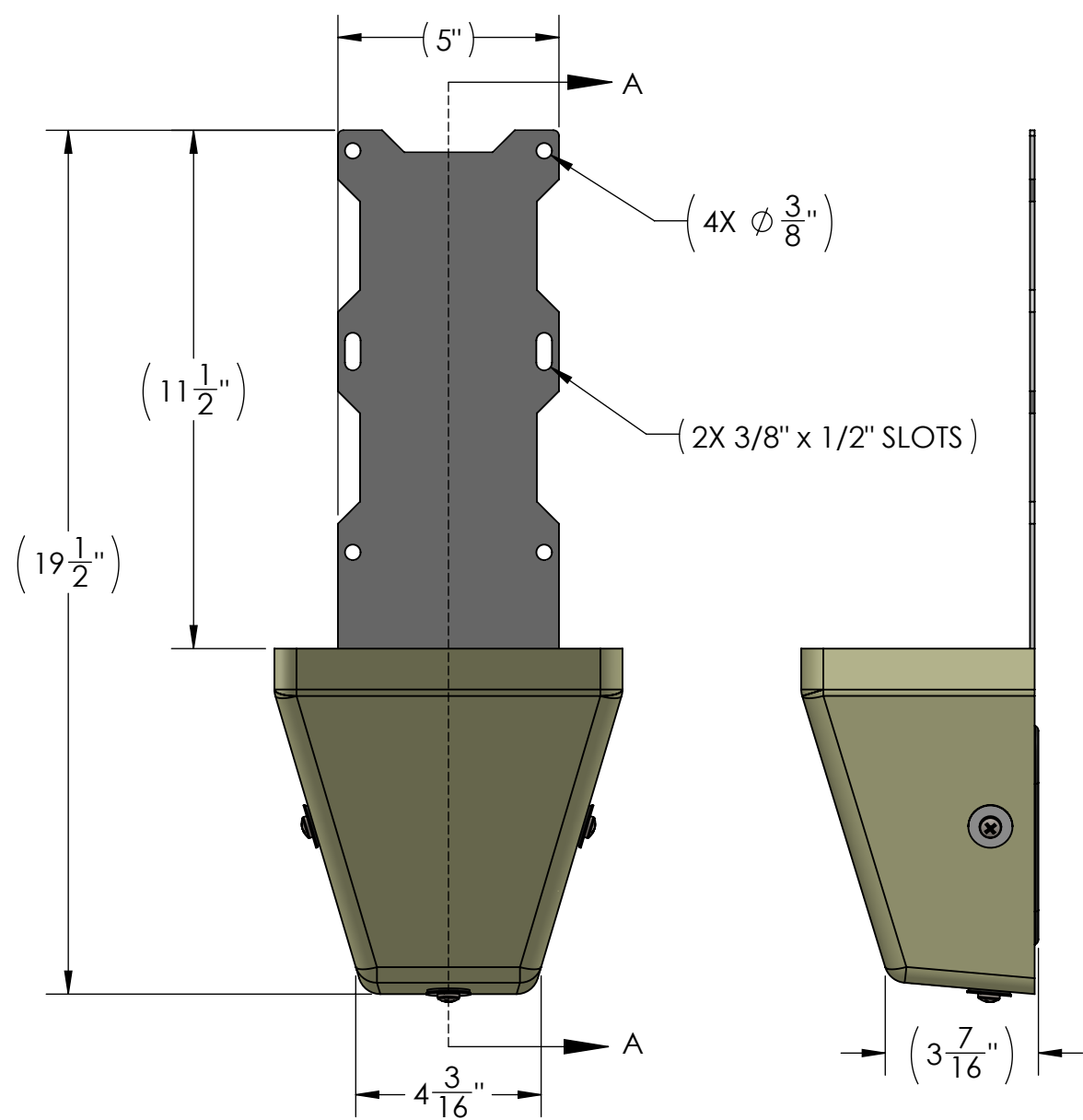
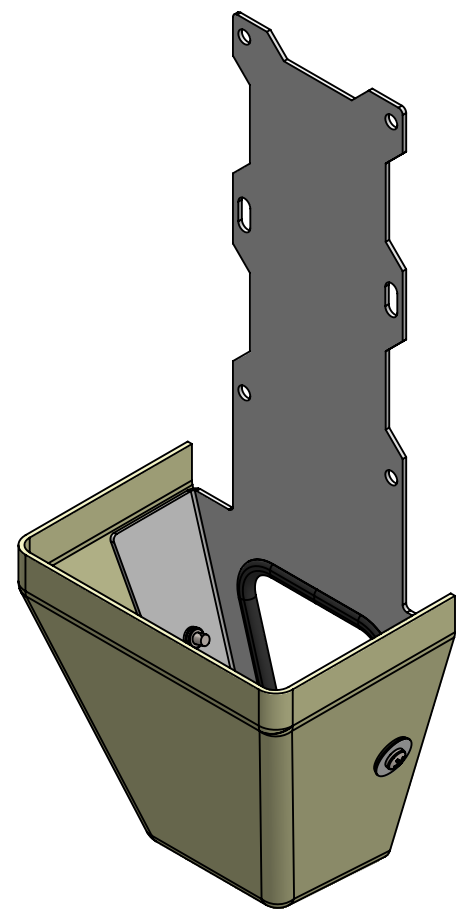
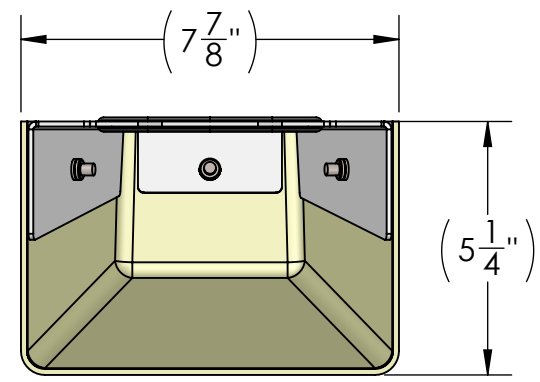


8 7 6 5 4 3 2 1

CUTSHEET



SECTION A-A



10205 FEDERAL DRIVE  
COLORADO SPRINGS, CO 80908  
PH: 719-599-3400 FX: 719-599-0057  
SALES@CONCEALFAB.COM

**PROPRIETARY INFORMATION**  
USE, REPRODUCTION, OR DISCLOSURE IS SUBJECT TO RESTRICTIONS SET FORTH IN NON-DISCLOSURE AGREEMENTS AND PERTINENT CONTRACTUAL DOCUMENTS.  
© 2017 ConcealFab Corp - All Rights Reserved

**DO NOT SCALE DWG**

DIMENSIONS ARE IN INCHES

	NAME:	DATE:
MODELED BY:	MWW	12/03/19
DRAWN BY:	JPM	03/31/20
CHECKED BY:	JAM	12/18/20

TITLE:  
**CABLE CONCEALMENT SHROUD, ERICSSON 1281/6701**

SCALE: 1:4 SHEET SIZE: B SHEET: 1 OF 1

SALES NUMBER:  
**900785 A**

APPROX. WEIGHT (W/OUT EQUIPMENT)	4.8lbs
----------------------------------	--------

D  
C  
B  
A

D  
C  
B  
A

8 7 6 5 4 3 2 1