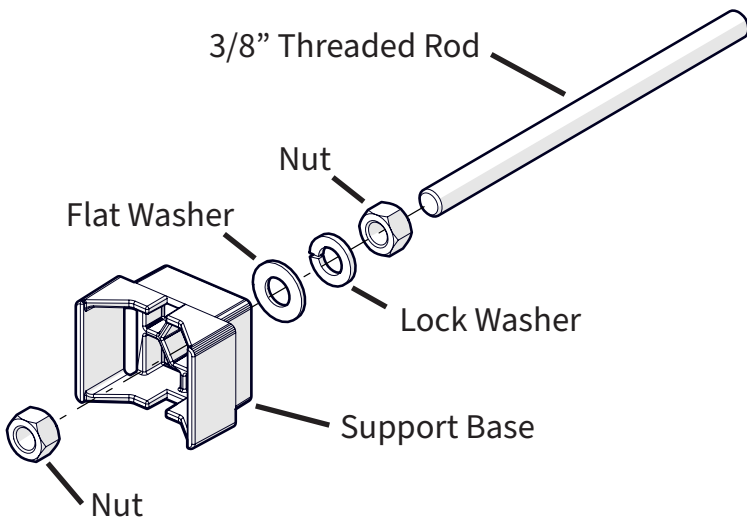
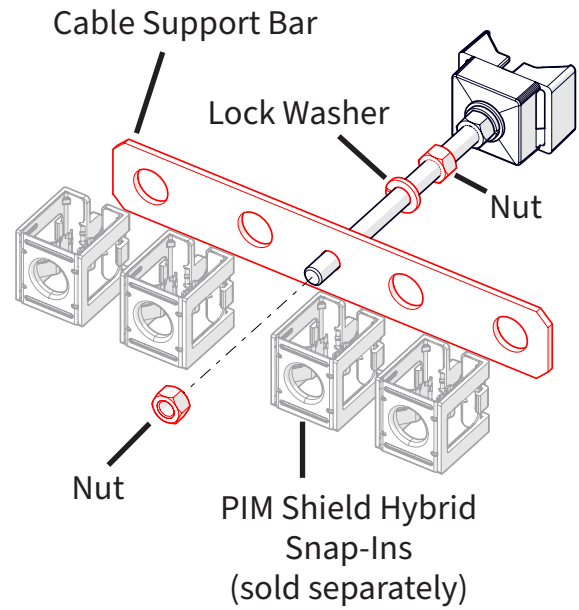


STEP 1: Attach Threaded Rod to PIM Shield Cable Support Base (Torque hardware to 10 Ft-lb, ConcealFab Tool PN: 900053).

STEP 1



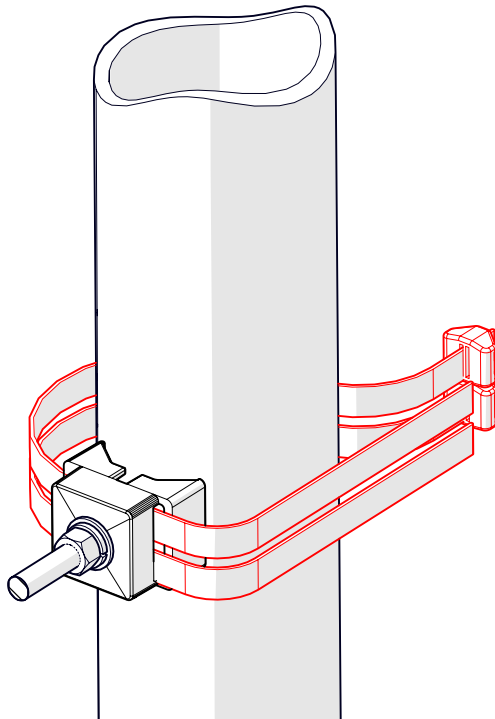
STEP 2



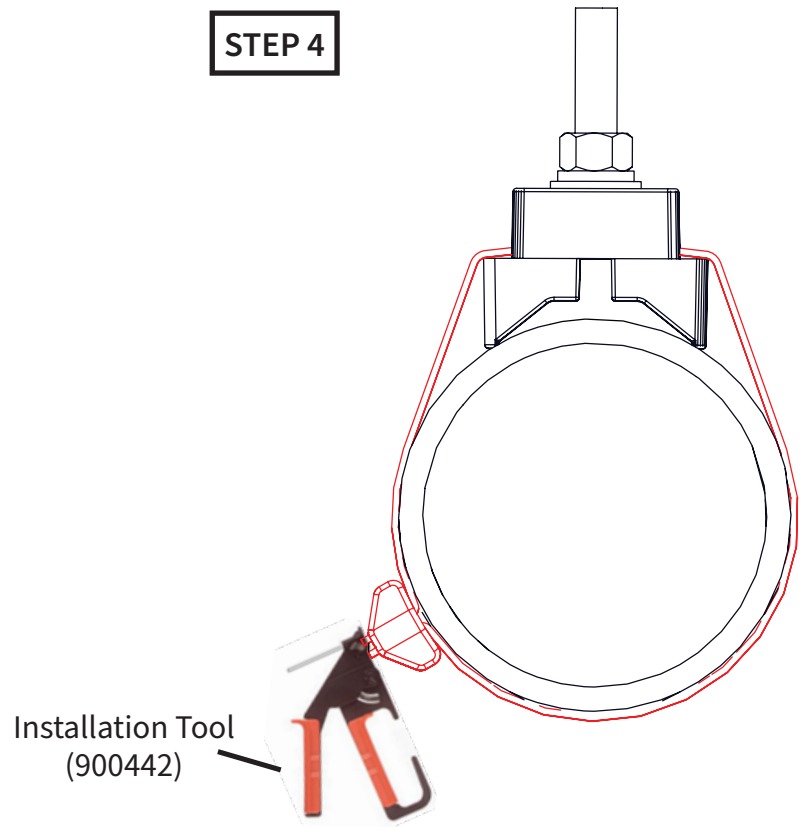
STEP 2: Install Cable Support Bar with hardware as shown (Torque hardware to 10 Ft-lb, ConcealFab Tool PN: 900053)

STEP 3: Attach assembly to round or angle member at site using appropriate length of PIM Shield Cable Support Strap. Pass straps through Low PIM Cable Support Base, around pipe, and back through Locking Head.

STEP 3



STEP 4



STEP 4: Use Cable Strap installation tool (900442 or equivalent) to tighten Cable Strap in position shown and flush-cut tail to Locking Head.