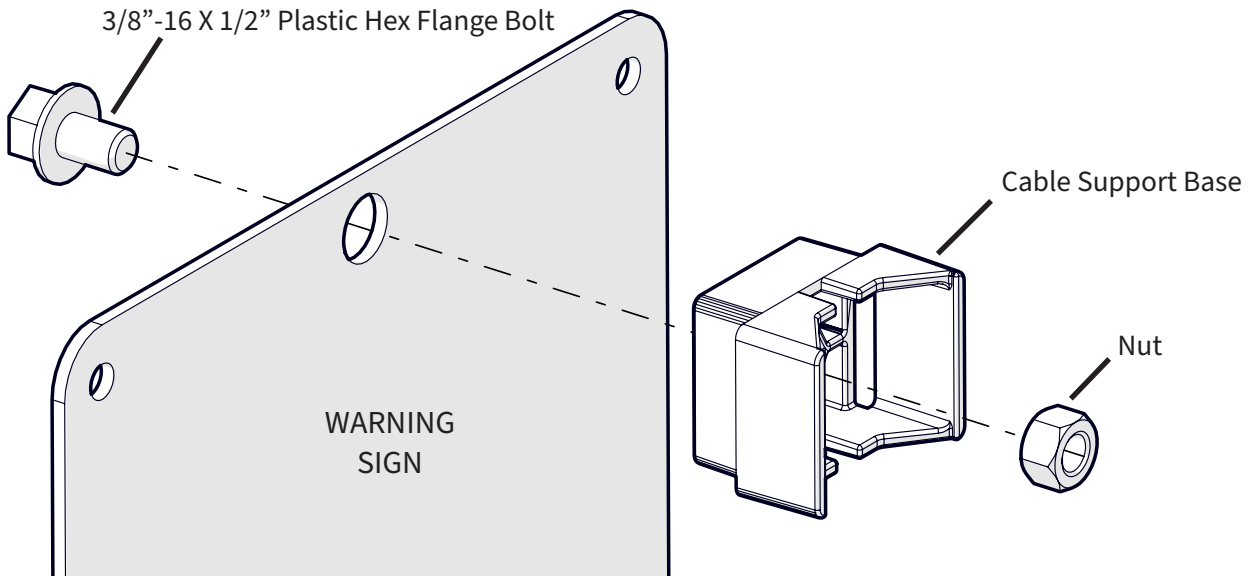


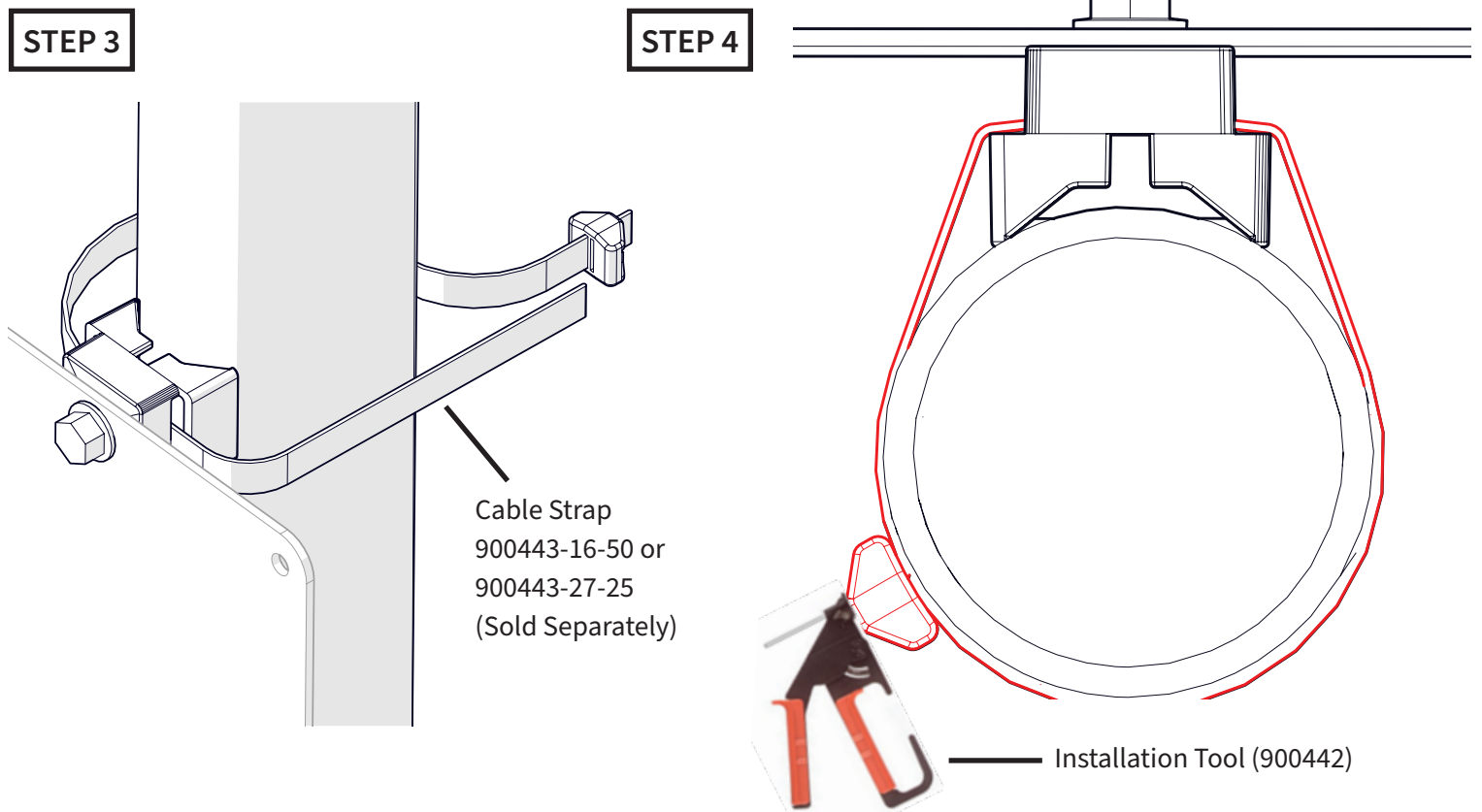
901031-10: PIM Shield RF Safety Sign Support (sold in packages of 10)

STEP 1: Drill or punch two (2) 3/8" diameter holes on the centerline of sign in locations free of warning text. Stark portable hand punch model 25087-H or equivalent can be used to punch holes.

STEP 2: Attach two (2) **PIM Shield RF Safety Sign Supports** to sign, snug fit, do NOT over-torque. (4Ft-Lb torque, ConcealFab Tool PN: 901039).



STEP 3: Pass appropriate length **PIM Shield Cable Strap** through each **Support Base**, around pipe or angle member, and back through Locking Head.



STEP 4: Use Cable Strap installation tool (900442 or equivalent) to tighten **Cable Straps** and flush-cut tail to Locking Head.