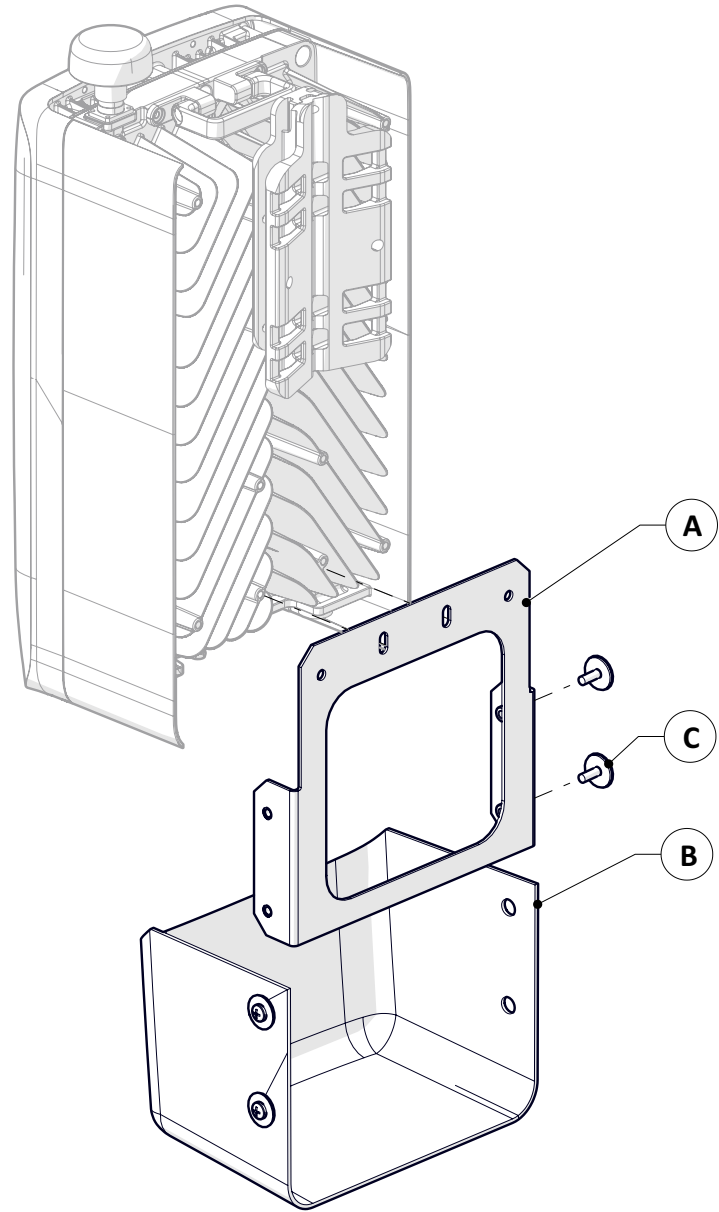
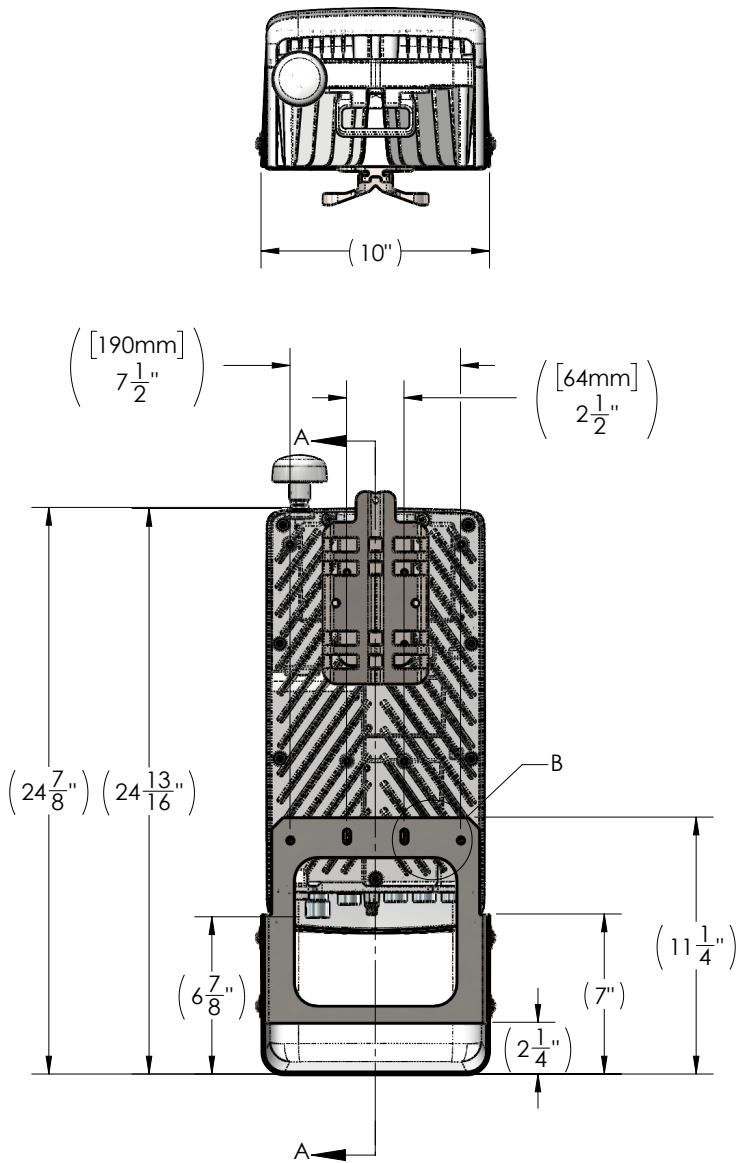
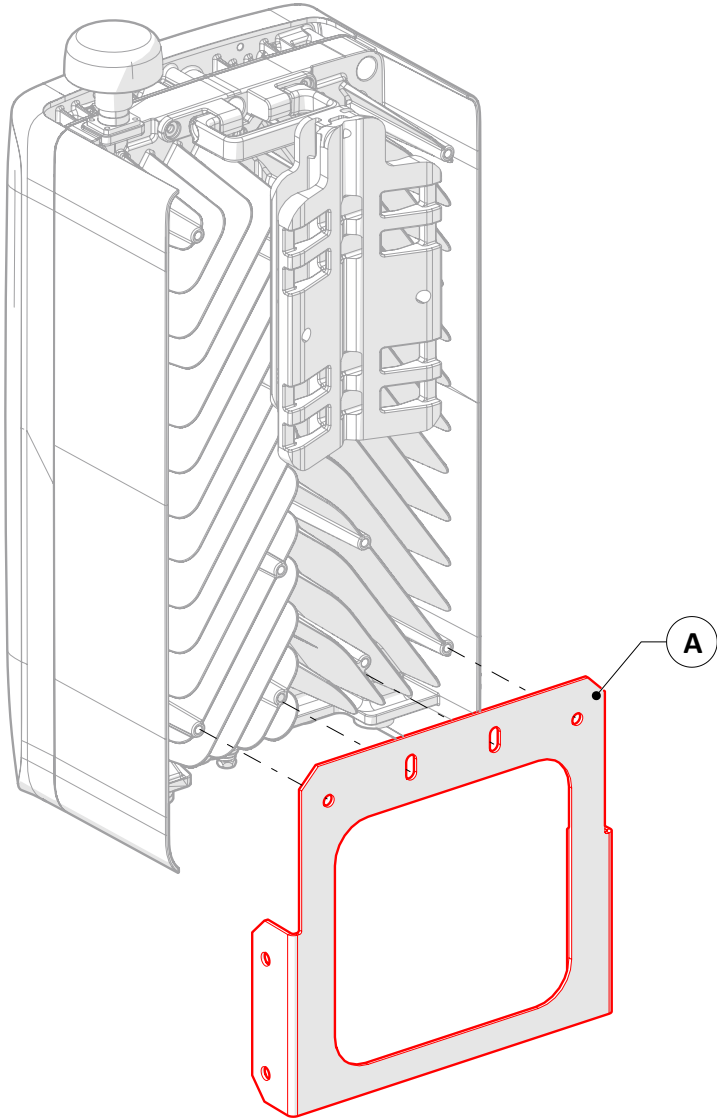


PARTS				
ITEM	Qty	Description	Part Number	PKG'D
A	1	SHROUD BRACKET, SAMSUNG AT1K01	124916	
B	1	SHROUD, SAMSUNG AT1K01	125786	
C	4	WASHER, SEALING, 1/4", 18-8 SS, 1" O.D., PHMS, 1/4"-20 UNC X 3/4" LG, 18-8 SS	100345	

Note: Stainless steel hardware to have antiseize lubricant applied before assembly.



Install **Item A** to Samsung AT1K01 (*by others*) with 4x M6 screws (*by others*).



Install **Item B** to **Item A** using hardware provided as shown.

