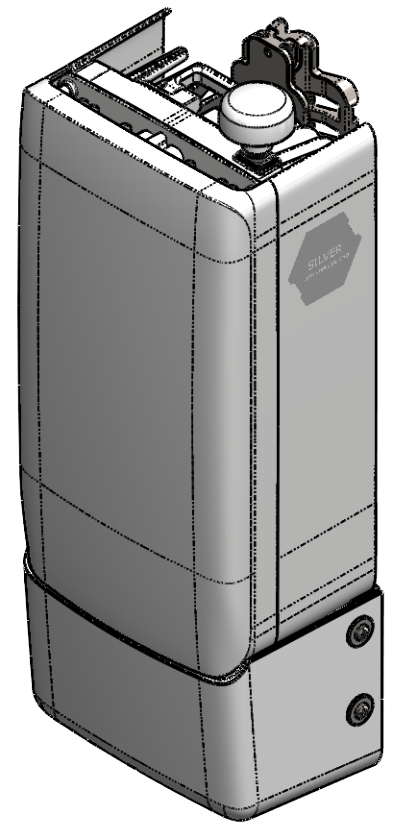
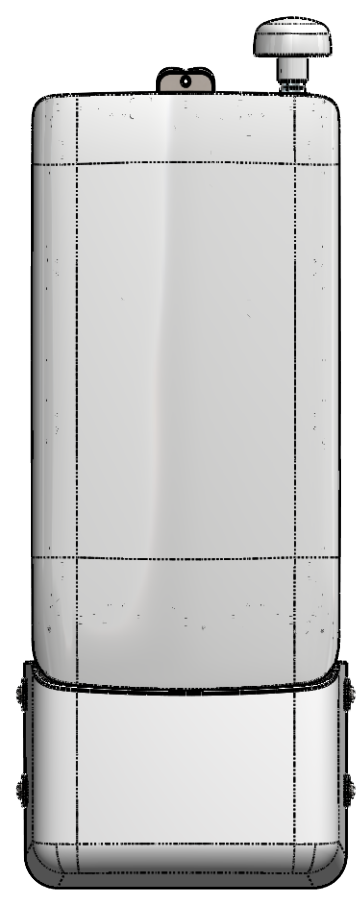
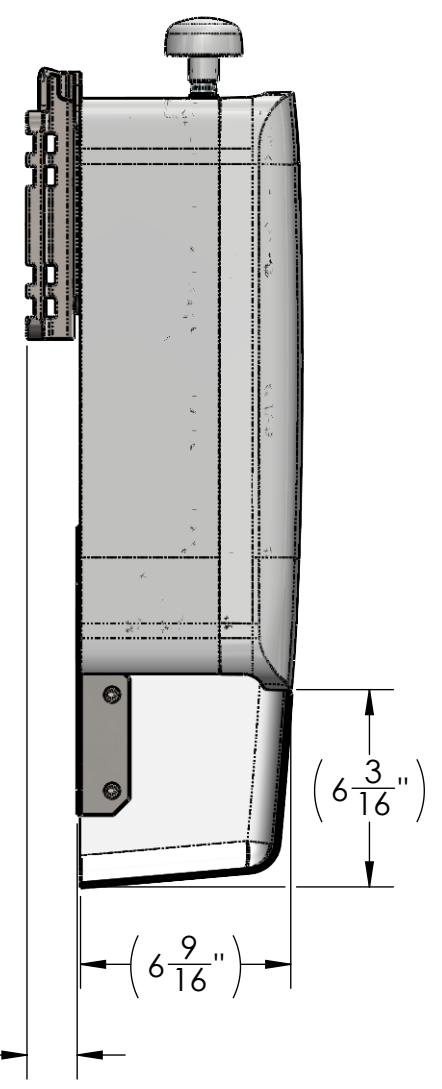
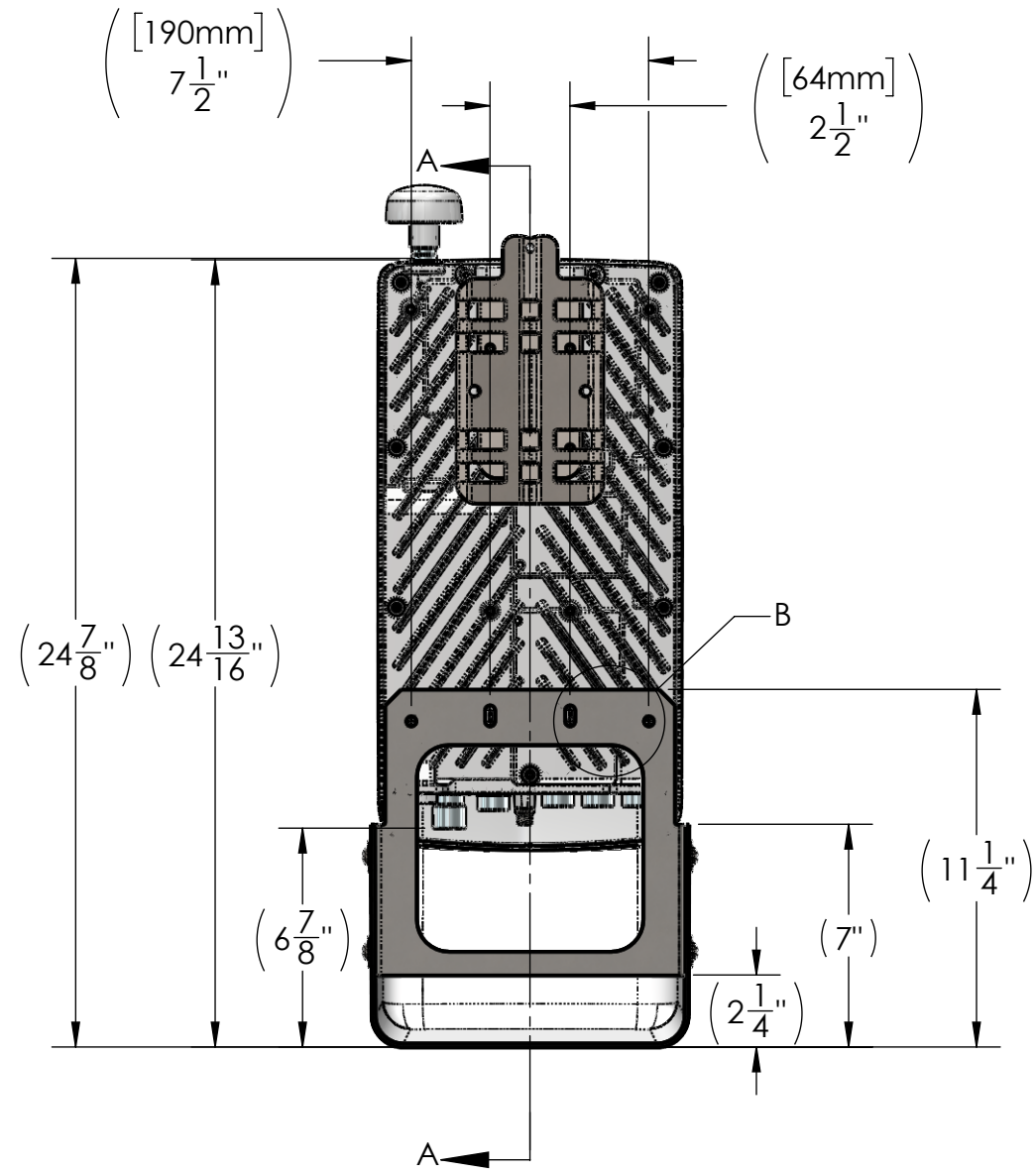


PROPOSAL DRAWING:
 APPROVED
 APPROVED - WITH CHANGES NOTED
 NOT APPROVED - CHANGE AS NOTED & RESUBMIT
 APPROVED BY _____ DATE _____



APPROX. WEIGHT (DOES NOT INCLUDE RF EQUIPMENT)	2.56 LBS
APPROX. VOLUME (DOES NOT INCLUDE RF EQUIPMENT)	0.27 FT ³

SECTION A-A

ConcealFab
 Corporation
 10205 FEDERAL DRIVE
 COLORADO SPRINGS, CO 80908
 PH: 719-599-3400 FX: 719-599-0057
 SALES@CONCEALFAB.COM

PROPRIETARY INFORMATION
 USE, REPRODUCTION, OR DISCLOSURE IS SUBJECT TO RESTRICTIONS SET FORTH IN NON-DISCLOSURE AGREEMENTS AND PERTINENT CONTRACTUAL DOCUMENTS.
 © 2020 ConcealFab Corp - All Rights Reserved

DO NOT SCALE DWG

DIMENSIONS ARE IN INCHES

NAME:	DATE:
MODELED BY: RMK	09/10/20
DRAWN BY: RMK	09/10/20
CHECKED BY: JAM	9/18/20

TITLE:
CABLE CONCEALMENT SHROUD, SAMSUNG AT1K01

SCALE: 1:6	SHEET SIZE: B	SHEET: 1 OF 1
SALES NUMBER: 900986		REV: