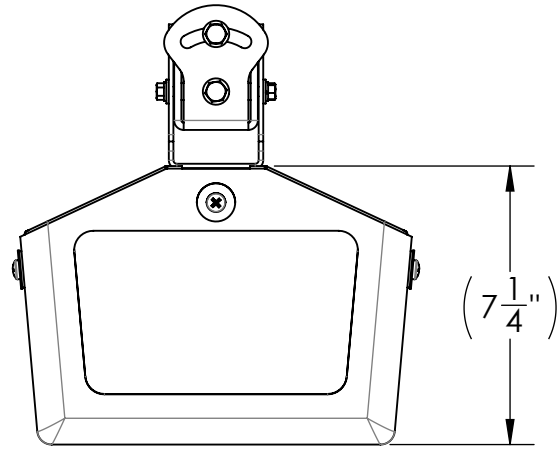
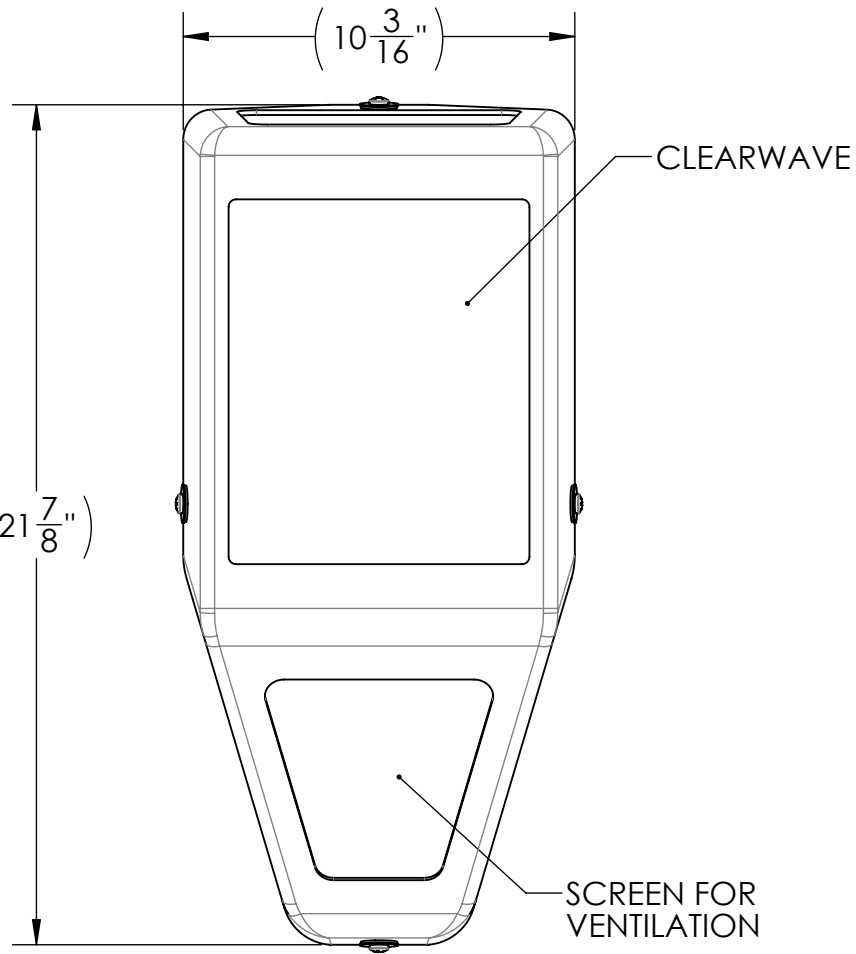


CUTSHEET



(7 1/4")

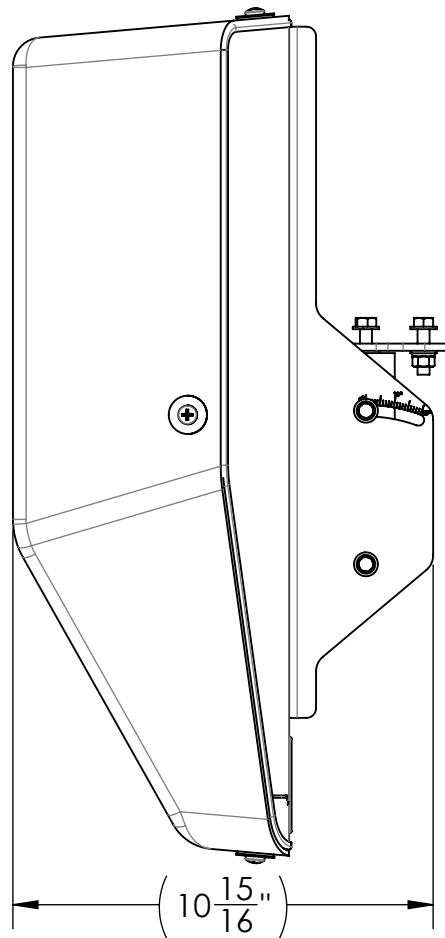


(10 3/16")

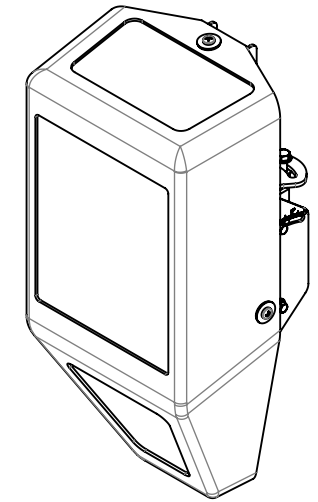
CLEARWAVE

(21 7/8")

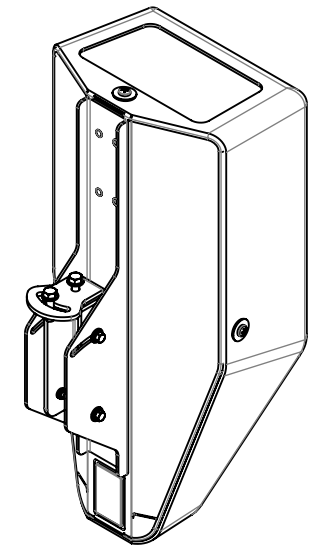
SCREEN FOR VENTILATION



(10 15/16")



SCALE 1 : 8



SCALE 1 : 8

APPROX. WEIGHT (DOES NOT INCLUDE RF EQUIPMENT)	13.53LBS
APPROX. VOLUME (DOES NOT INCLUDE RF EQUIPMENT)	.67 FT³

ConcealFab
Corporation

10205 FEDERAL DRIVE
COLORADO SPRINGS, CO 80908
PH: 719-599-3400 FX: 719-599-0057
SALES@CONCEALFAB.COM

PROPRIETARY INFORMATION
USE, REPRODUCTION, OR DISCLOSURE IS SUBJECT TO RESTRICTIONS SET FORTH IN NON-DISCLOSURE AGREEMENTS AND PERTINENT CONTRACTUAL DOCUMENTS.
© 2020 ConcealFab Corp - All Rights Reserved

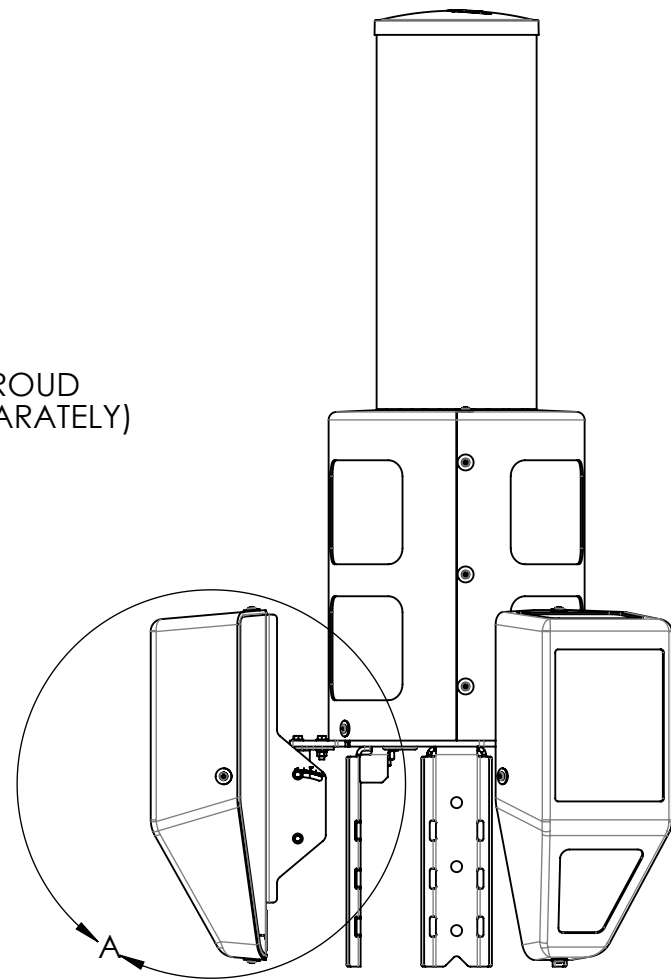
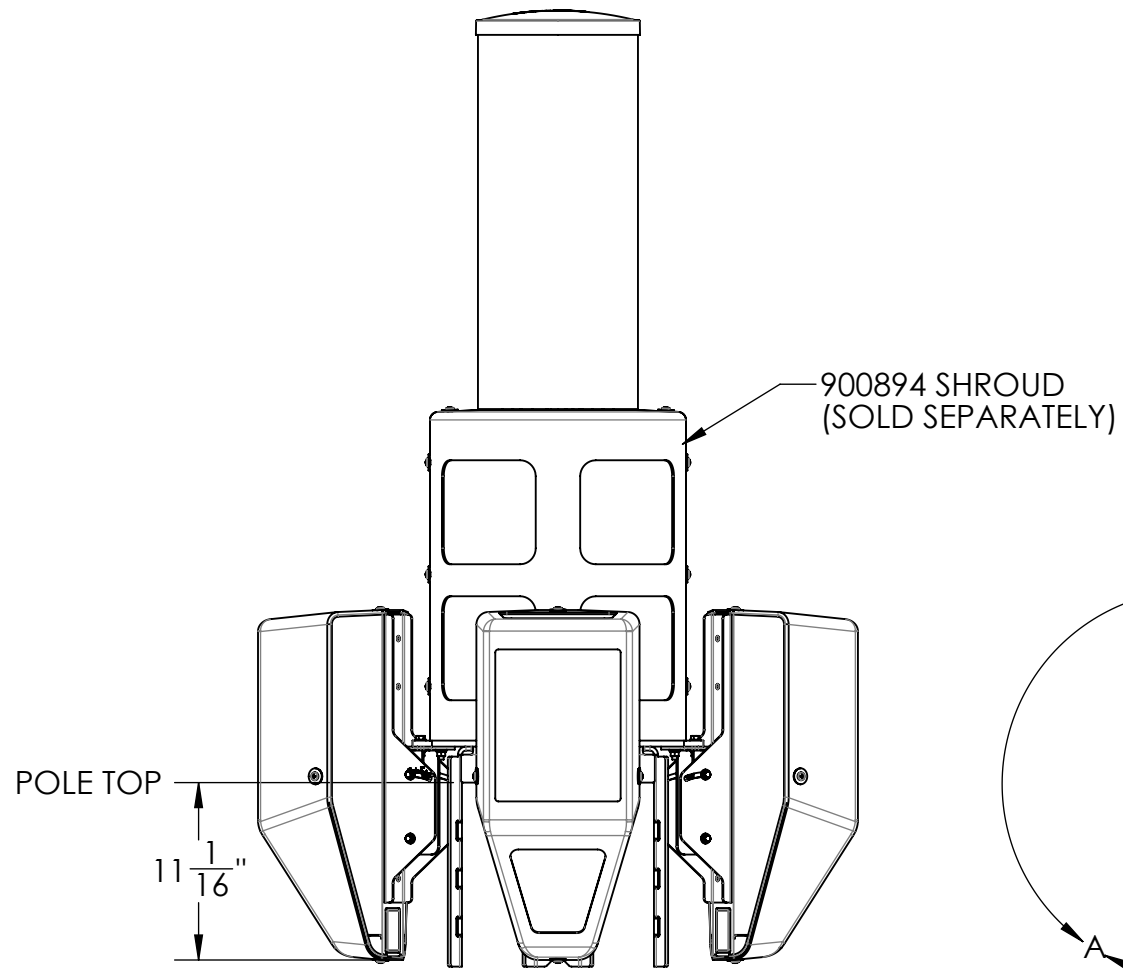
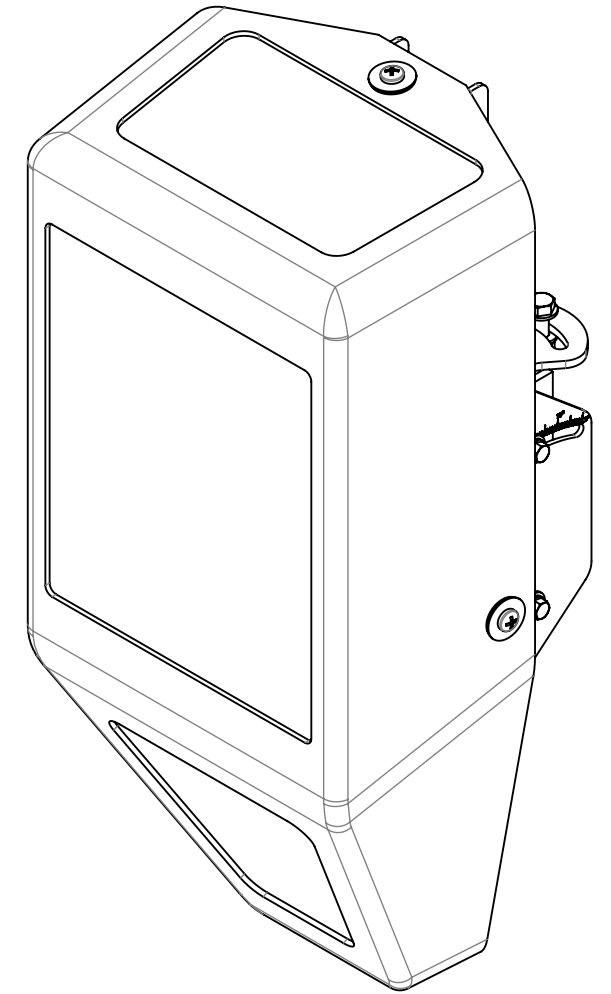
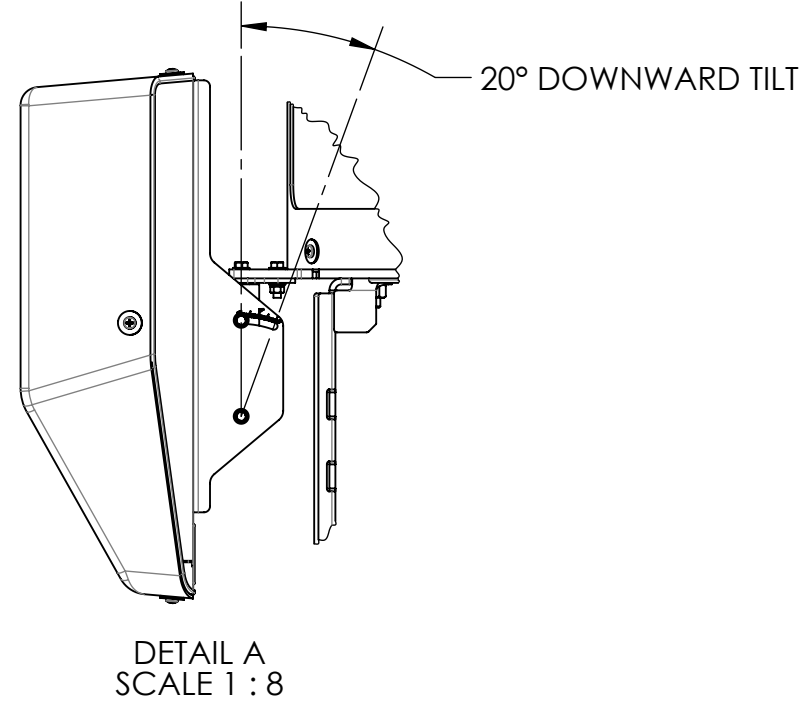
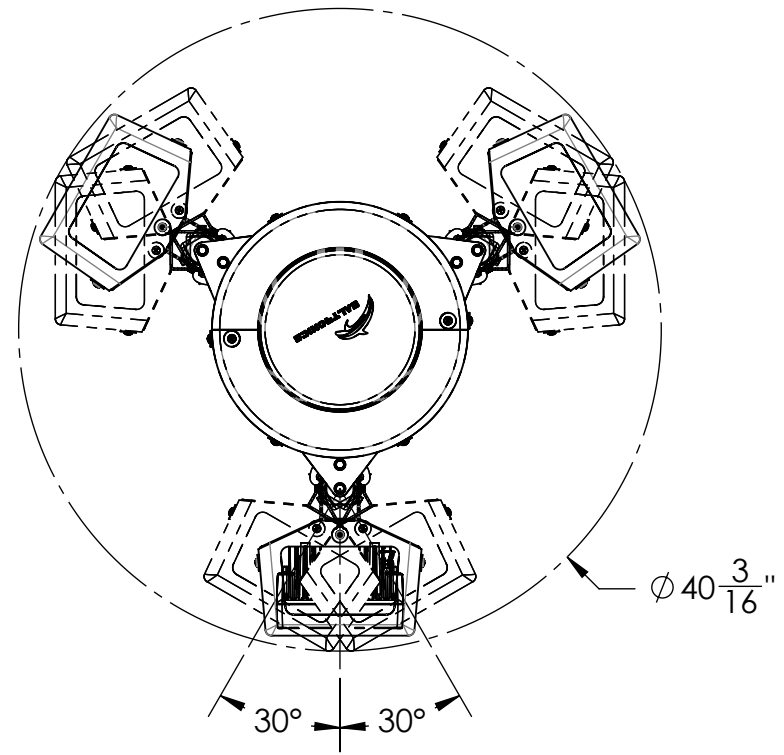
DO NOT SCALE DWG

DIMENSIONS ARE IN INCHES

NAME:	DATE:
MODELED BY: JWB	07/16/20
DRAWN BY: JWB	07/30/20
CHECKED BY: JAM	09/08/20

TITLE:
5G MODULAR SHROUD, 20 DEG DT, 30 DEG AZIMUTH, ERICSSON 1281

SCALE: 1:5	SHEET SIZE: B	SHEET: 1 OF 2
SALES NUMBER: 900783_20DTAZ		REV: B



ConcealFab
Corporation

10205 FEDERAL DRIVE
COLORADO SPRINGS, CO 80908
PH: 719-599-3400 FX: 719-599-0057
SALES@CONCEALFAB.COM

PROPRIETARY INFORMATION
USE, REPRODUCTION, OR DISCLOSURE
IS SUBJECT TO RESTRICTIONS SET FORTH
IN NON-DISCLOSURE AGREEMENTS AND
PERTINENT CONTRACTUAL DOCUMENTS.
© 2020 ConcealFab Corp - All Rights Reserved

DO NOT SCALE DWG

DIMENSIONS ARE IN INCHES

	NAME:	DATE:
MODELED BY:	JWB	07/30/20
DRAWN BY:	JWB	07/30/20
CHECKED BY:	JAM	09/08/20

TITLE:
5G MODULAR SHROUD, 20
DEG DT, 30 DEG AZIMUTH,
ERICSSON 1281

SCALE: 1:12	SHEET SIZE: B	SHEET: 2 OF 2
SALES NUMBER: 900783_20DTAZ		REV: B

SCALE

A