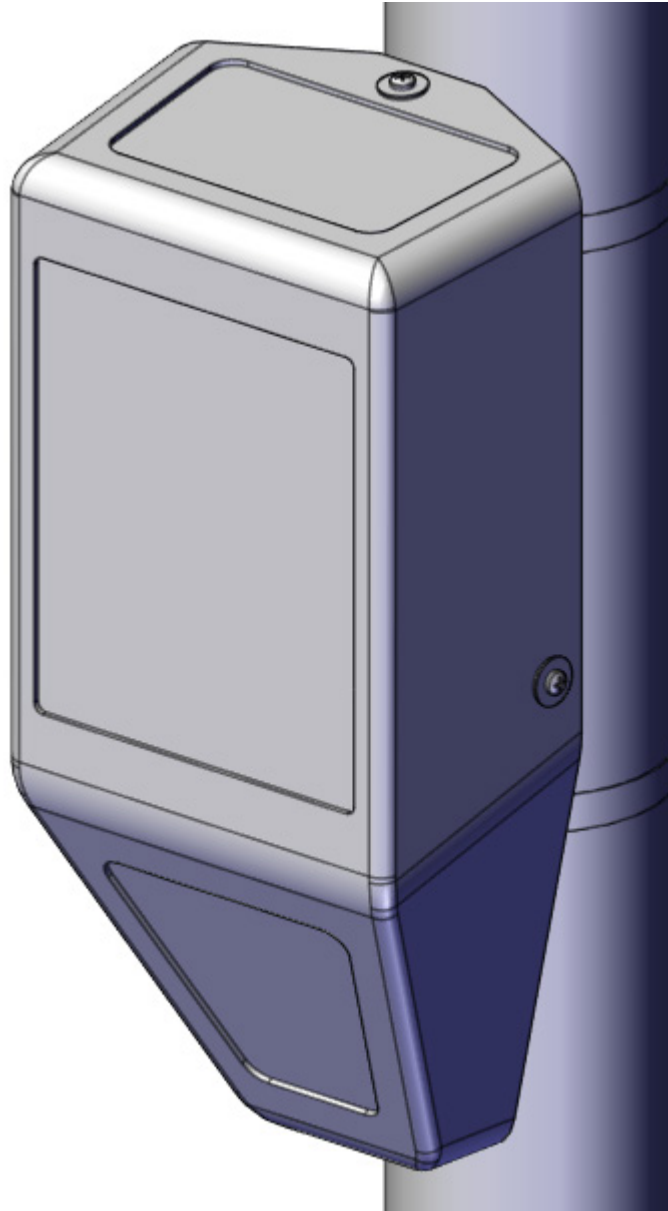


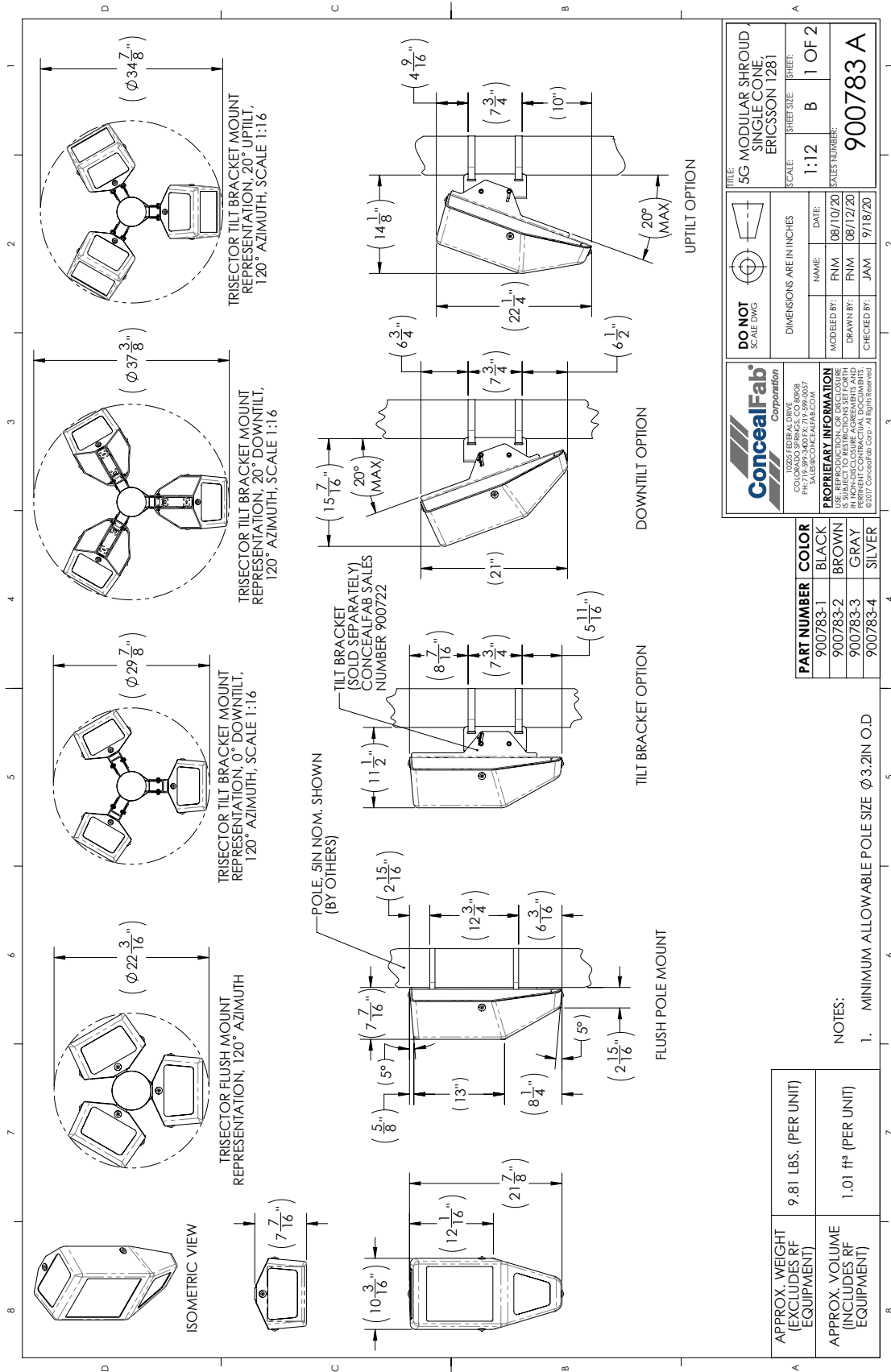
900783 5G Modular Shroud, Single Cone, Ericsson 1281



CONTENTS

SPECIFICATIONS	3
SUPPLIED PARTS & HARDWARE	4
RECOMMENDED TOOLS	5
ASSEMBLY	6

SPECIFICATIONS



SUPPLIED PARTS & HARDWARE

	ITEM	QTY	DESCRIPTION	PART NO.	PKG'D
	A	1	5G BRACKET ATTACHMENT	111751	
	B	1	BRACKET, 1281 MODULAR SHROUD	123911	
	C	1	KIT, ERICSSON 6701 RADIO MOUNTING HARDWARE	115710	
	C1	4	HHCS, M8 X 1.25MM X 20MM LG, FT, 18-8 SS	008094	
	C2	4	WASHER, SPLIT LOCK, M8, 18-8 SS	001634	
	C3	4	WASHER, FLAT, M8, 18-8 SS	006076	
	D	1	PLUG, 2-1/2" X 1-1/2"	111539	
	E	1	SCREEN BACKPAN	123862	
	F	1	KIT, BRACKET FASTENERS	123979	
	F1	6	NUT, SERRATED FLANGE, 5/16"-18, 18-8 SS	119250	

	G	1	SHROUD	124070	
	H	4	WASHER, SEALING, 1/4", 18-8 SS, 1" O.D., PHMS, 1/4"-20 X 3/4" LG, 18-8 SS	100345	
	K	1	CORROSION RESISTANT ANTISEIZE, NICKEL, VIBRA-TITE, 90722	002954	

Note: Stainless steel hardware to have antiseize lubricant applied.

RECOMMENDED TOOLS



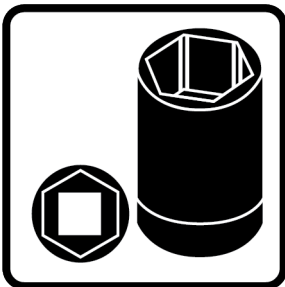
Adjustable Wrench



Screwdriver - Phillips



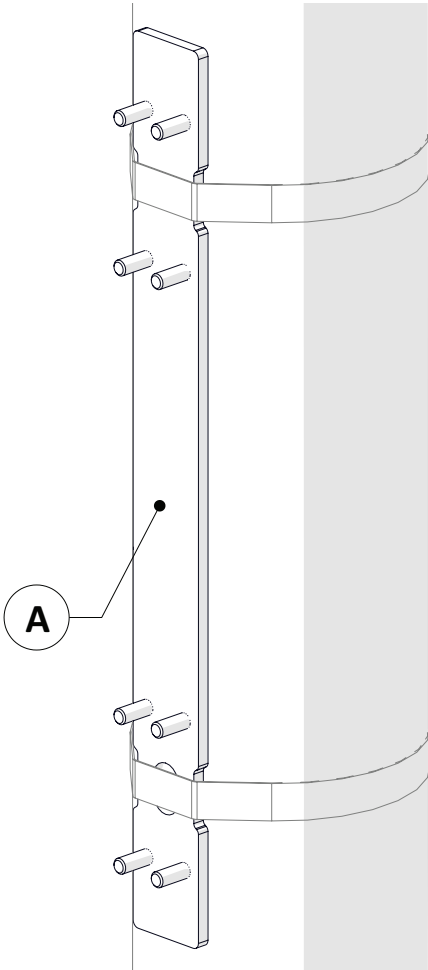
Ratchet



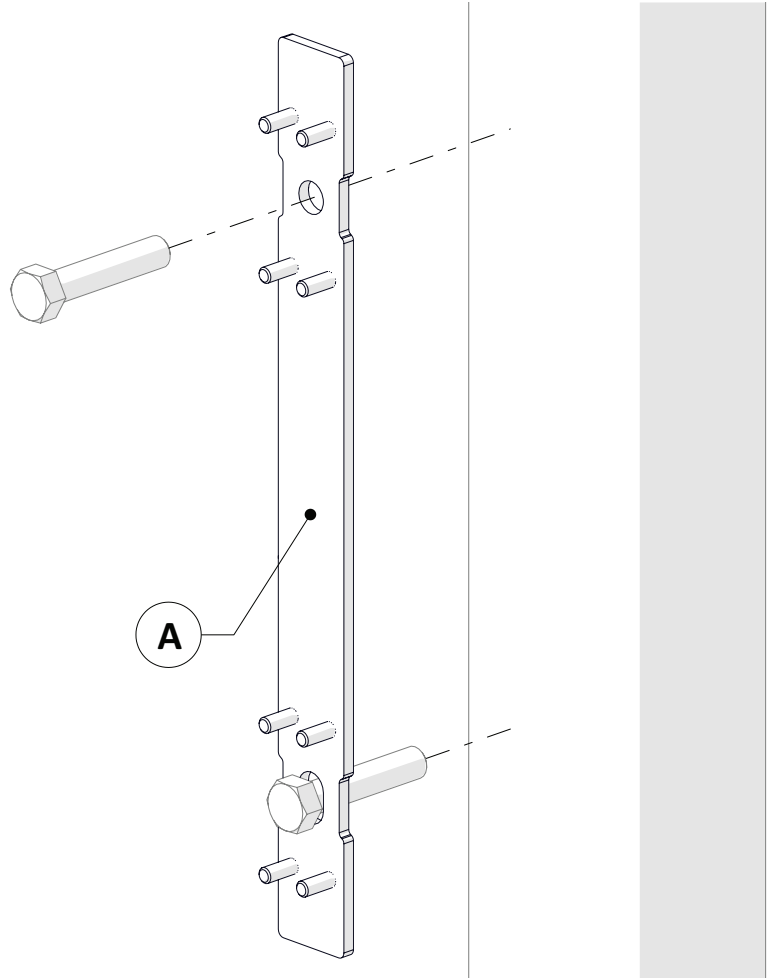
Socket - Deep Well

ASSEMBLY

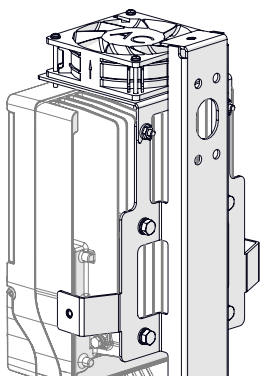
STEP 1: Install **5G Bracket Attachment (Item A)** to **pole** using 3/4" band clamps or 5/8" lag bolts (clamps and bolts supplied by others).



Banded

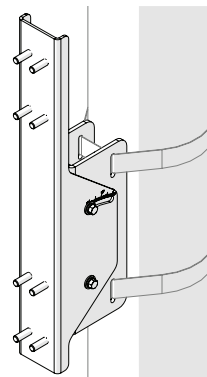


Bolted



Fan Kit

(900958, Sold Separately, Required)

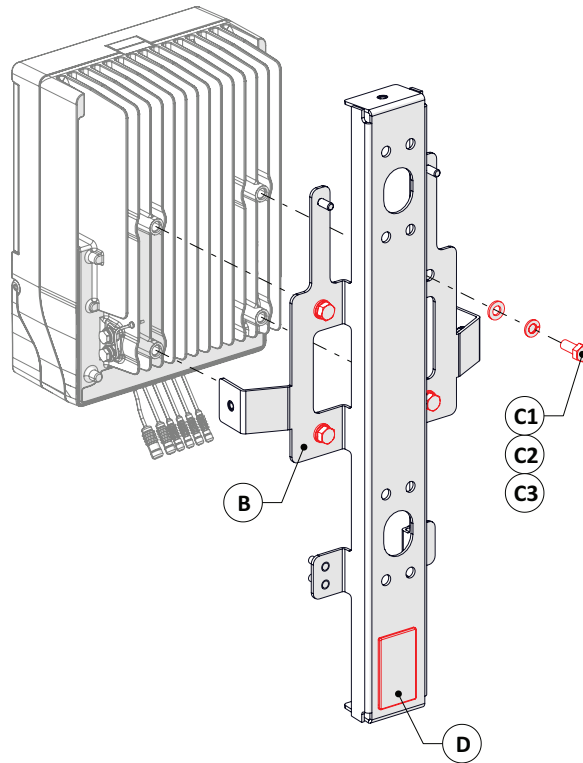


Tilt Bracket

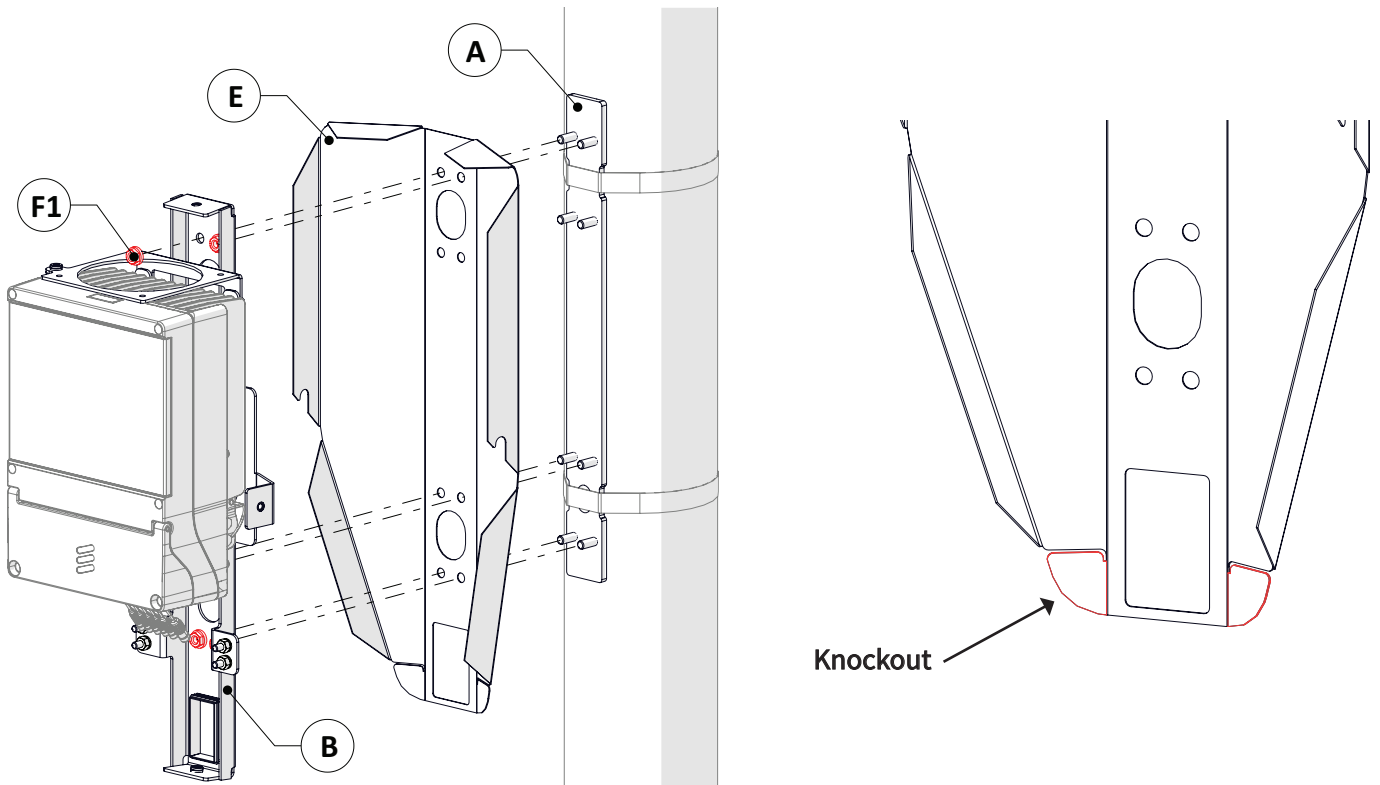
(900722 or 900722_WP, Each Sold Separately)



STEP 2: Install **Bracket (Item B)** to **Ericsson 1281** (supplied by others). Drill holes into **Plug (Item D)** as needed for cable routing.



STEP 3: Install **Item B** to **Screen Backpan (Item E)**, then **Item E** to **5G Bracket Attachment (Item A)**. Bend screen knockouts for cable routing as needed.



STEP 5: Install **Shroud (Item H)**.

