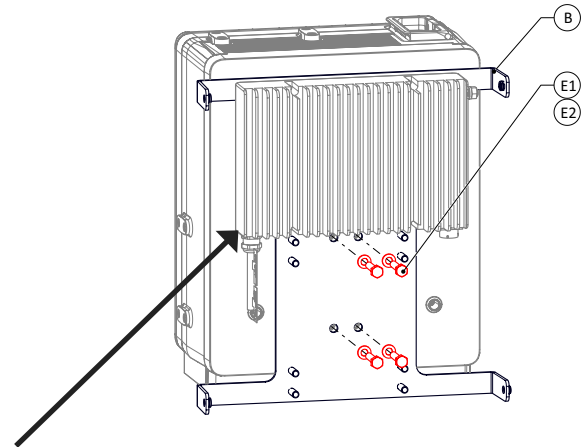
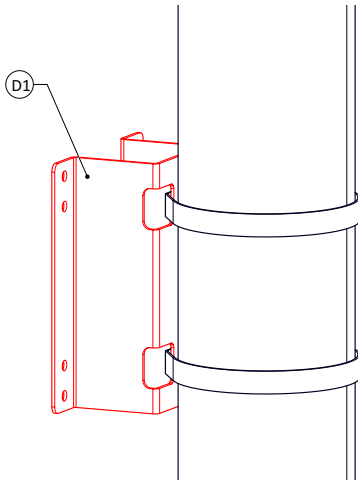
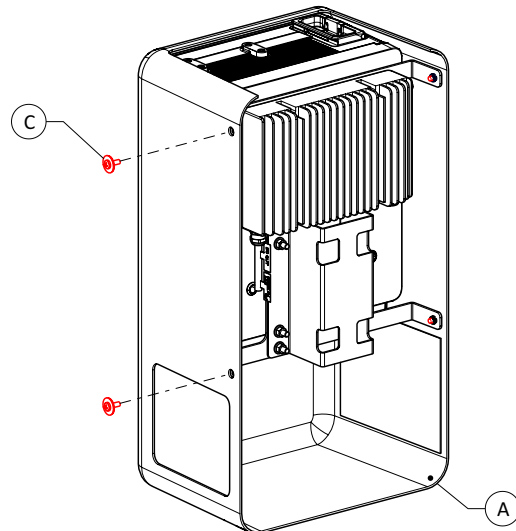
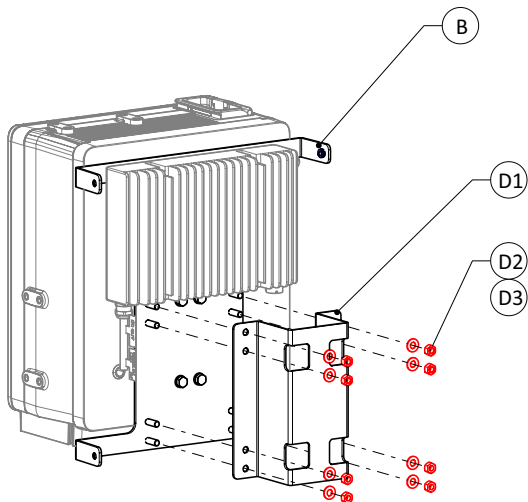


PARTS				
BOM ID	Qty	Description	ConcealFab P/N	PKG'D
A	1	SUN SHIELD, 4426/4415	122067	
B	1	PEM ASSY, FORMED, SUN SHIELD 4426/4415 BRACKET	121710	
C	4	WASHER, SEALING, 1/4", 18-8 SS, 1" O.D., PHMS, 1/4"-20 UNC X 3/4" LG, 18-8 SS	100345	
D	1	KIT, 4426/4415 BANDING BRACKET AND HARDWARE	123503	
D1	1	BAND BRACKET	121714	
D2	8	WASHER, FLAT, 5/16", 18-8 SS	002507	
D3	8	NUT, HEX, 5/16"-18, 18-8 SS	005985	
E	1	KIT, 4426/4415 SUN SHIELD RADIO MOUNTING HARDWARE	123505	
E1	3	HHCS, M8 X 1.25MM X 40MM LG, FT, 18-8 SS	008095	
E2	4	WASHER, FLAT, M8, 18-8 SS	006076	



Note: For installation of PSU use hardware provided by manufacturer.

Note: Some parts hidden for clarity.



ConcealFab Corporation
+ 1 719 599 3400
sales@concealfab.com
10205 Federal Drive, Building B
Colorado Springs, CO 80908

REV: A

July 22, 2020