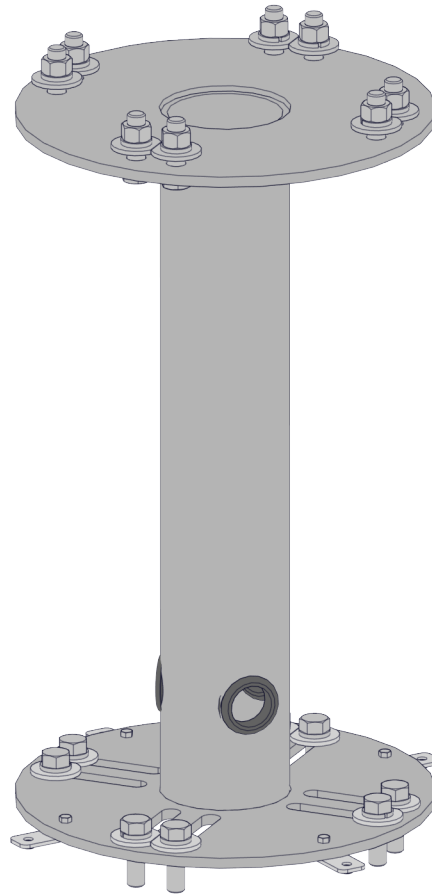


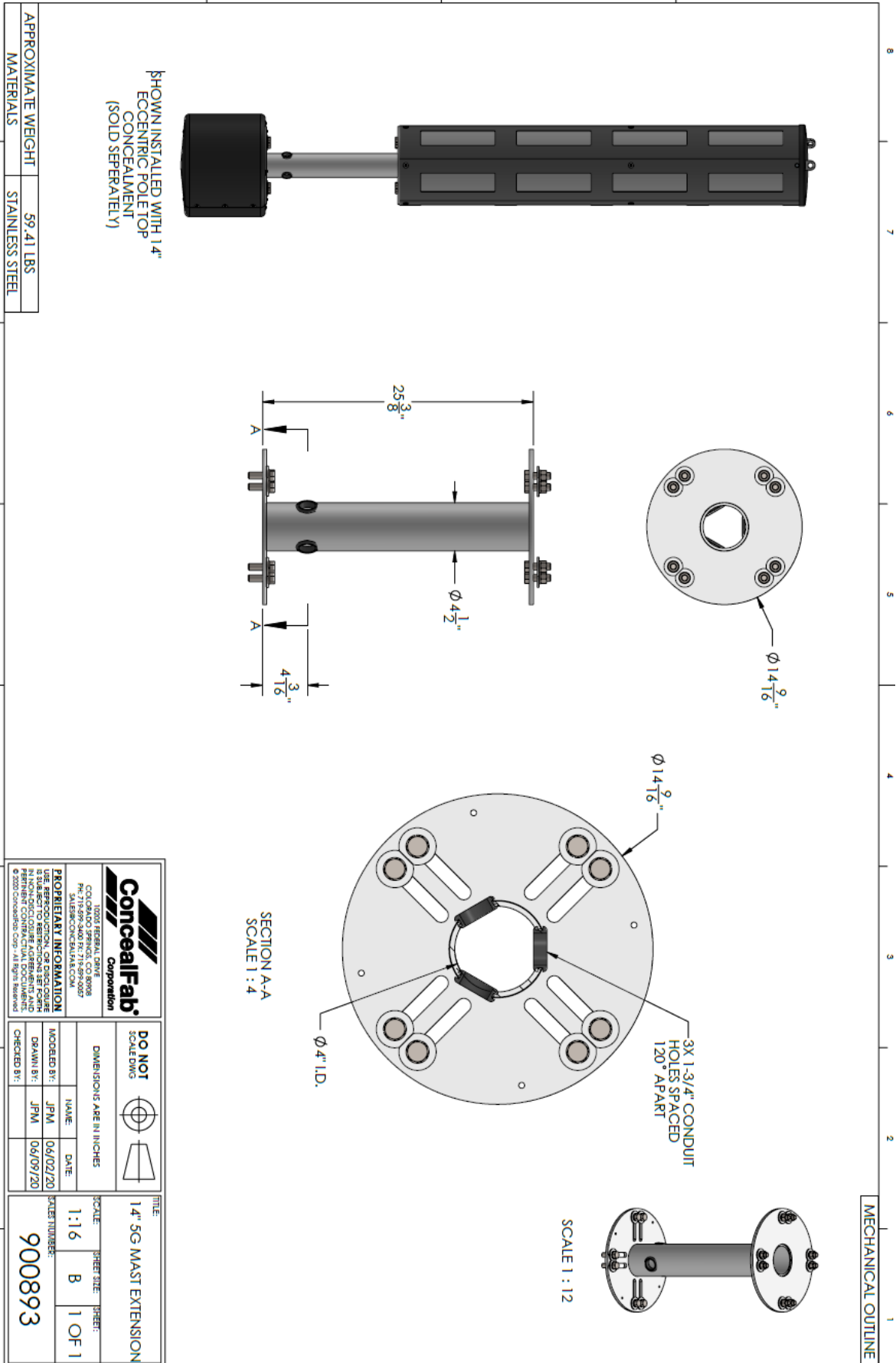
900893 14" 5G Mast Extension



CONTENTS

SPECIFICATIONS	3
RECOMMENDED TOOLS	4
SUPPLIED PARTS & HARDWARE	5
ASSEMBLY	7

SPECIFICATIONS



RECOMMENDED TOOLS


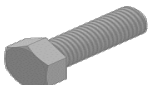


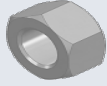
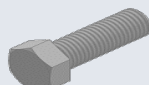




Adjustable Wrench



Phillips Screw Driver

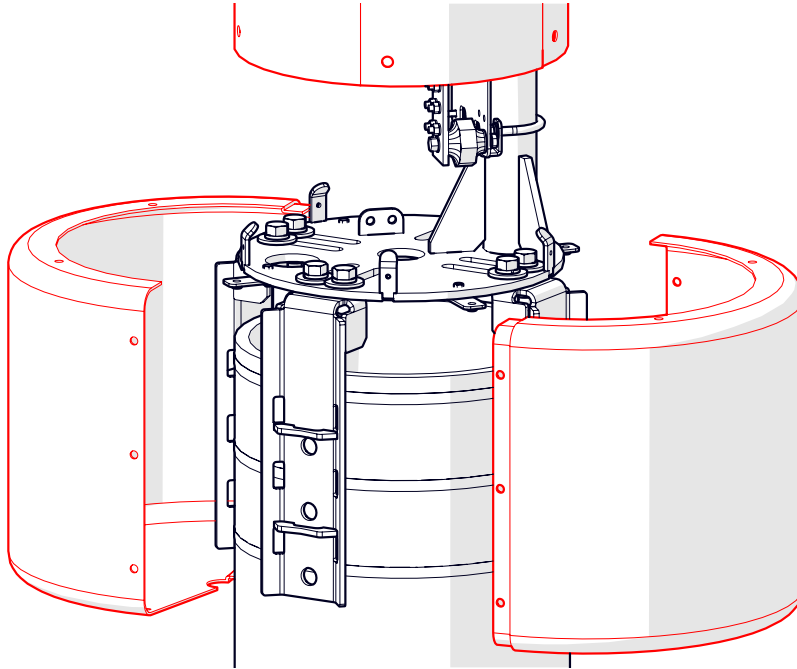
SUPPLIED PARTS & HARDWARE

PARTS					
ITEM	QTY	Document Preview	DESCRIPTION	CONCEAL FAB P/N	PKG'D
A	1		14" 5G EXTENSION	121044	
B	1		KIT, 5G EXTENSION TOP MOUNTING HARDWARE	122357	
B1	8		HHBT, 5/8"-11 X 2" LG, FT, 18-8 SS	011011	
B2	8		WASHER, SPLIT LOCK, 5/8", 18-8 SS	002680	
B3	8		PLATE, WASHER, CLIPPED, 5/8", 18-8 SS	122238	
B4	8		NUT, HEX, 5/8"-11, 18-8 SS	002681	
C	1		KIT, 5G EXTENSION BOTTOM MOUNTING HARDWARE	122358	
C1	8		HHBT, 5/8"-11 X 2" LG, FT, 18-8 SS	011011	
C2	8		WASHER, SPLIT LOCK, 5/8", 18-8 SS	002680	

PARTS					
ITEM	QTY	Document Preview	DESCRIPTION	CONCEAL FAB P/N	PKG'D
C3	8		PLATE, WASHER, CLIPPED, 5/8", 18-8 SS	122238	
C4	1		CORROSION RESISTANT ANTISEIZE LUBRICANT, NICKEL, VIAL	002954	

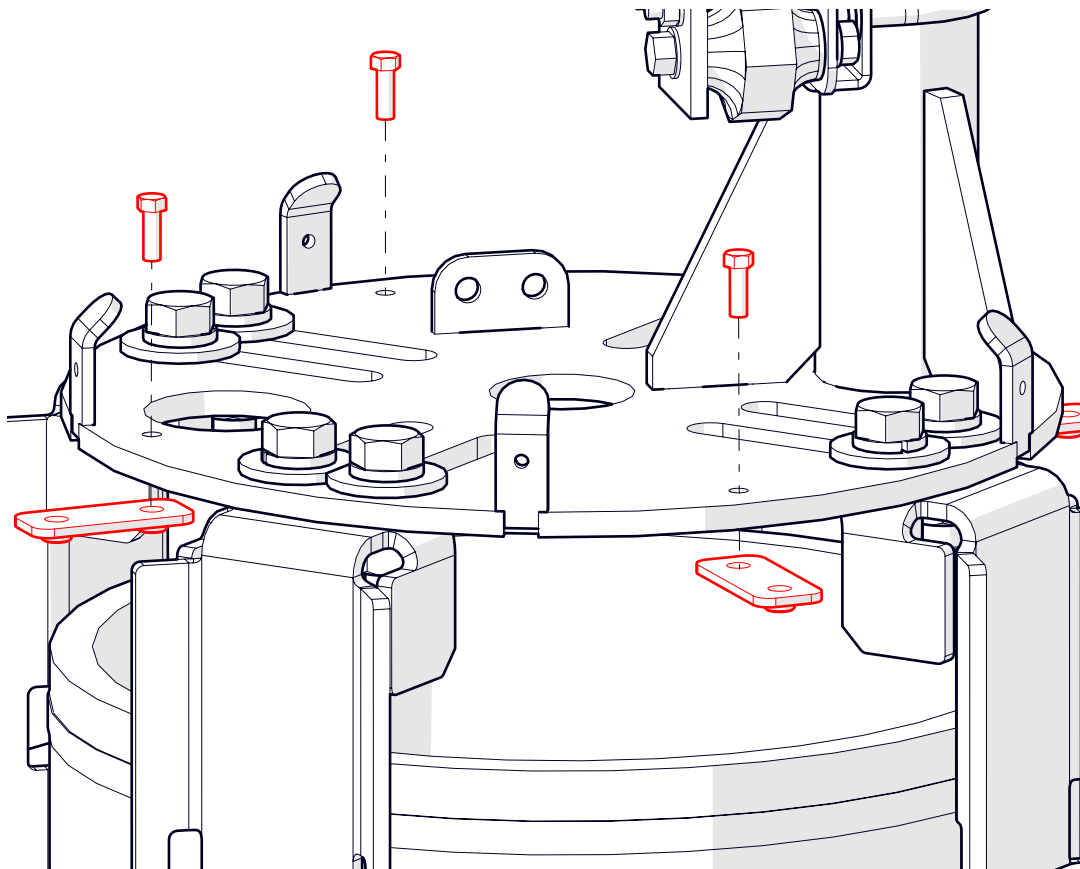
ASSEMBLY

STEP 1: Remove **Concealment Shrouds** from 14" Pole Top.

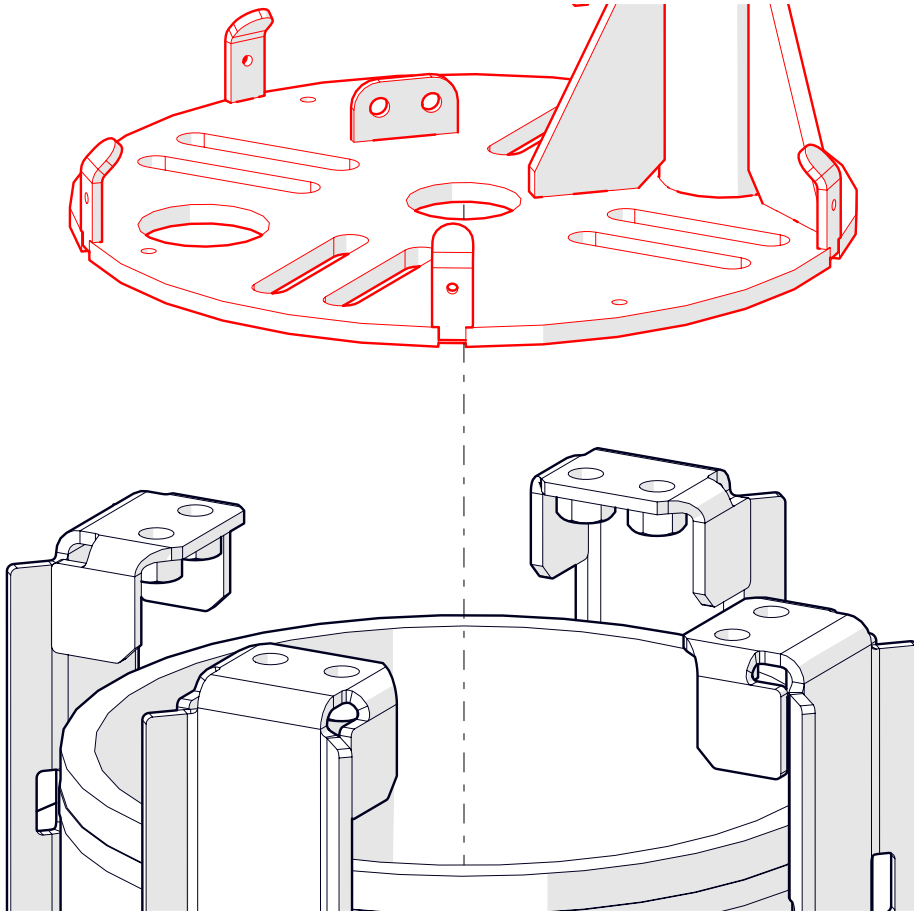


STEP 2: Remove **Transition Shroud Mounting Tabs** from 14" Pole Top.

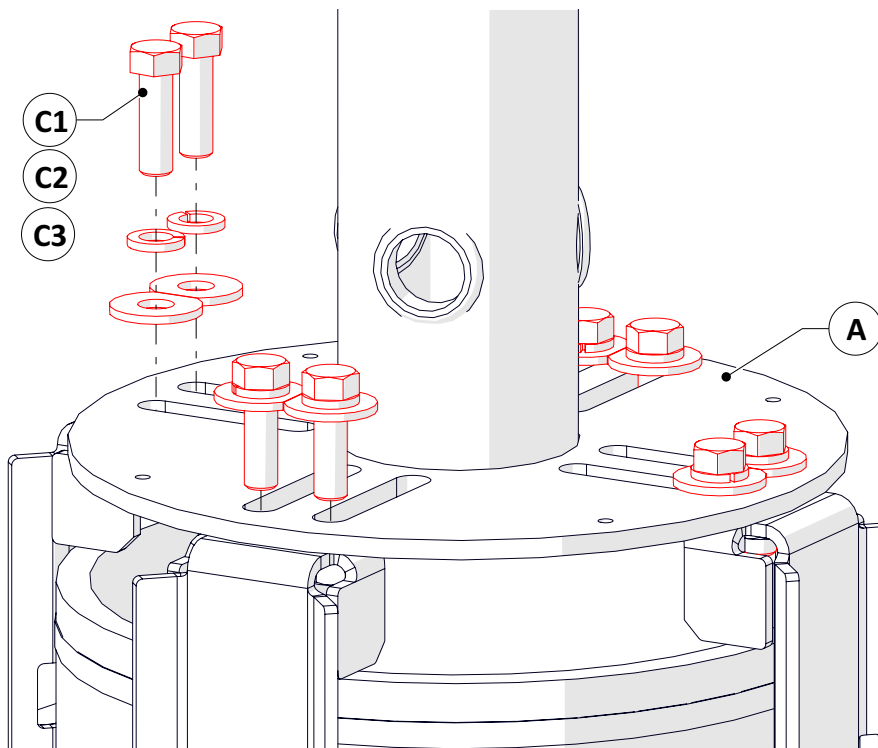
(NOTE: Place these components aside, to be re-installed later.)



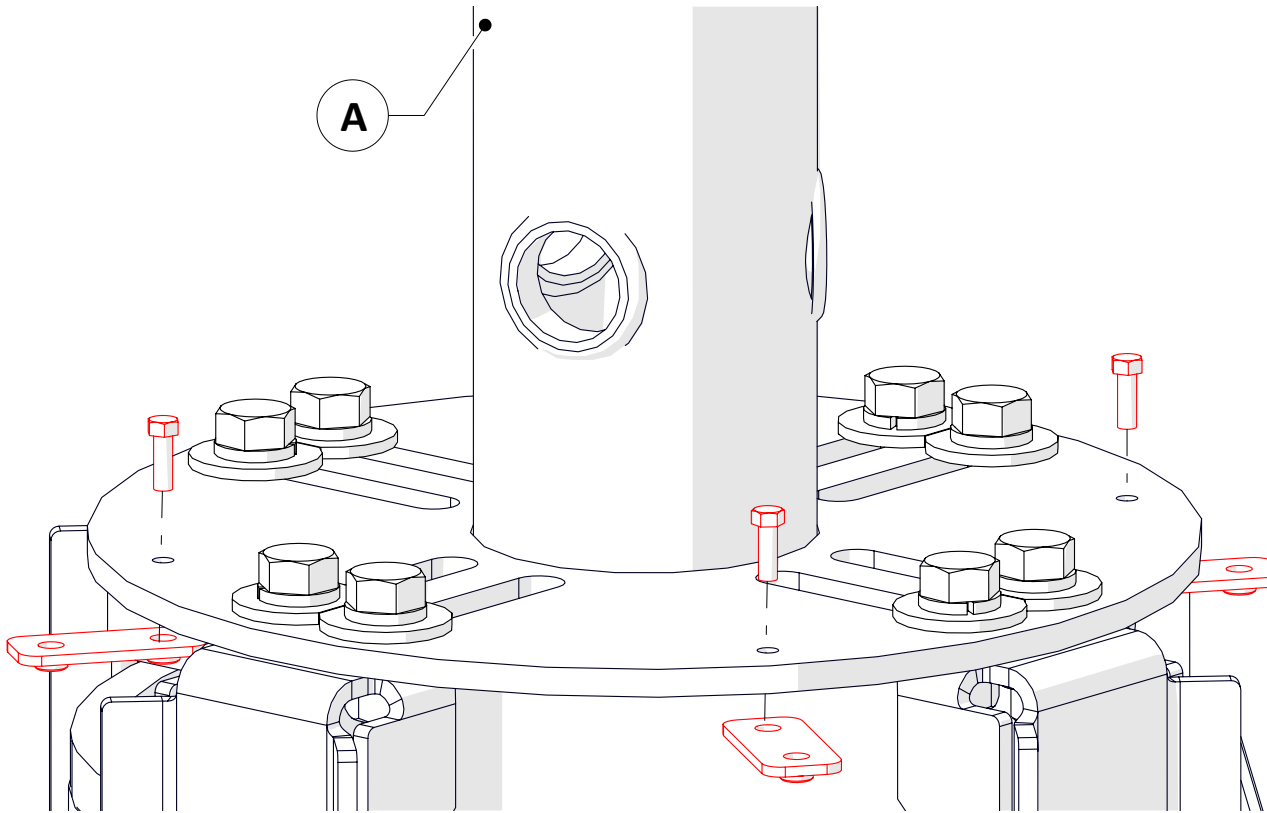
STEP 3: Remove 14" Pole Top from Mounting Legs. (NOTE: DO NOT re-use structural hardware. THROW AWAY.)



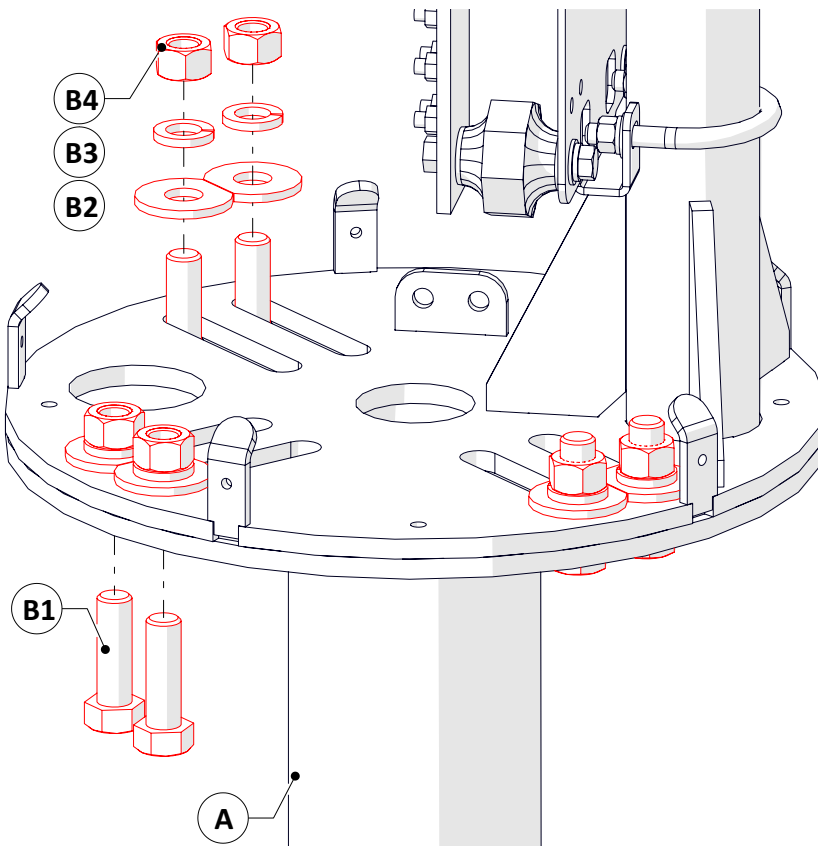
STEP 4: Install Item A (14" 5G Extension to pre-existing Mounting Legs using hardware provided as shown.



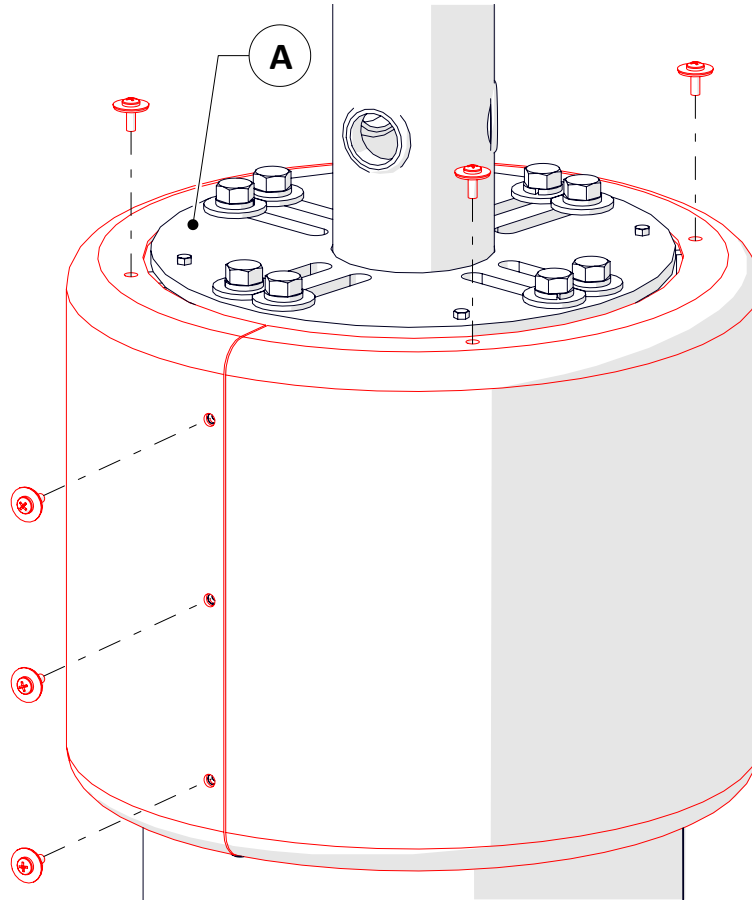
STEP 5: Re-install **Transition Shroud Mounting Tabs** to **Item A** as shown.



STEP 6: Install **14" Pole Top Mast** to **Item A (14" 5G Extension)** using hardware provided as shown.



STEP 7: Install 14" Pole Top Transition Shroud to Item A (14" 5G Extension) using as shown.



STEP 8: Re-install 14" Radome onto 14" Pole Top Mast as shown.

