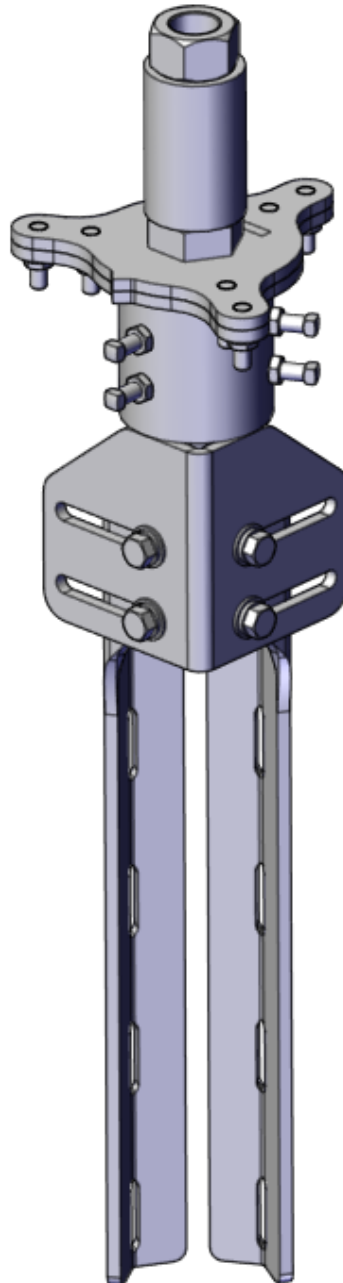


**900811**

## **Luminaire Arm Accommodating Small Pole Top Mount**



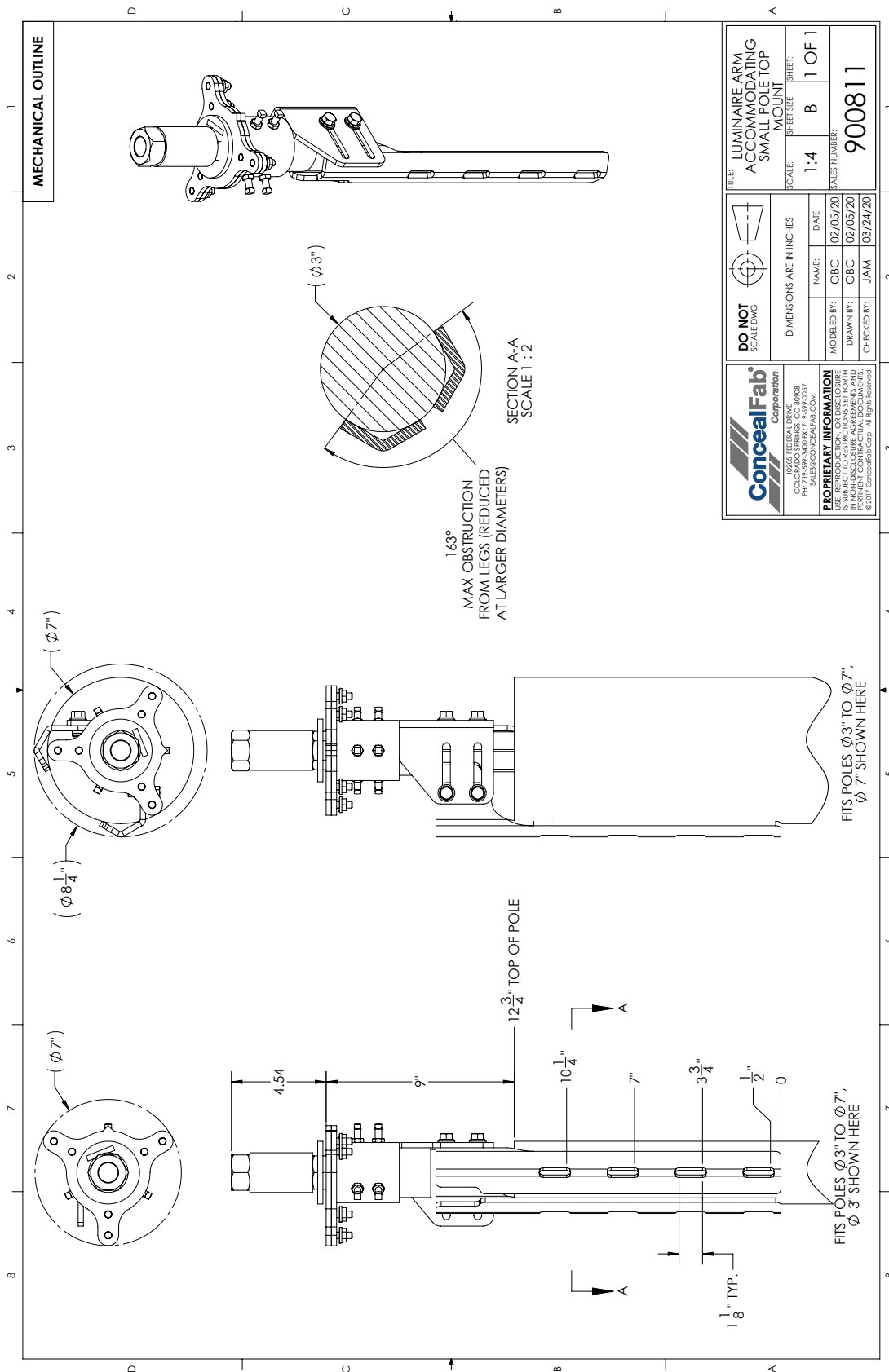
## **CONTENTS**

---

SPECIFICATIONS	3
RECOMMENDED TOOLS	4
SUPPLIED PARTS & HARDWARE	5
ASSEMBLY	8

---

**SPECIFICATIONS**



**RECOMMENDED TOOLS**



**Adjustable Wrench**



**Phillips Screw Driver**

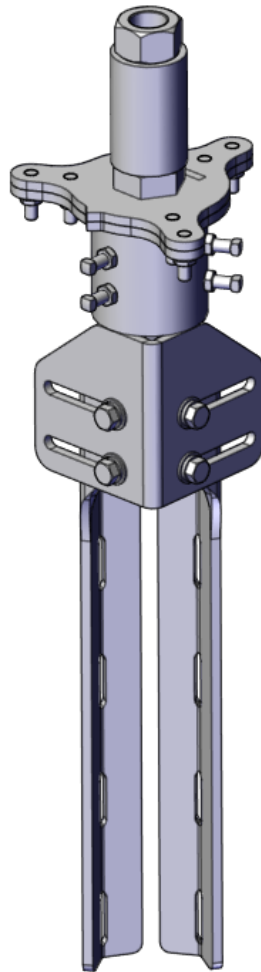
## SUPPLIED PARTS & HARDWARE

	ITEM	QTY	DESCRIPTION	PART NO.	PKG'D
	A	1	POLE TOP MOUNT	118813	
	B	1	LEG, RIGHT	118969	
	C	1	LEG, LEFT	118971	
	D	1	KIT, 3/8"-16 LEG MOUNTING HARDWARE	119984	
	D1	4	HHBT, 3/8"-16 X 1 1/4" LG, FT, 18-8 SS	002724	
	D2	4	WASHER, SPLIT LOCK, 3/8", 18-8 SS	002490	
	D3	4	WASHER, FLAT, 3/8", 18-8 SS	002489	
	E	1	SLIPFIT ANTENNA SLEEVE	104697	

	<b>F</b>	<b>2</b>	<b>KIT, CANTENNA SET SCREWS AND JAM NUTS</b>	<b>113962</b>	
	F1	6	NUT, HEX JAM, 5/16"-18, 18-8 SS	006248	
	F2	6	SQST, 5/16"-18 X 1" LG, FT, 18-8 SS	005984	
	<b>G</b>	<b>1</b>	<b>SINGLE BOLT ADAPTER EXTENSION</b>	<b>009632</b>	
	<b>H</b>	<b>1</b>	<b>KIT, GALTRONICS 6480i/KATHREIN 20/24 PORT ANTENNA MOUNTING COMPONENTS</b>	<b>113920</b>	
	H1	1	NUT, HEX, 1"-8, 18-8 SS	010110	
	H2	1	WASHER, SPLIT LOCK, 1", 18-8 SS	002569	
	H3	1	WASHER, FLAT, 1", 18-8 SS	008787	
	<b>J</b>	<b>1</b>	<b>SINGLE BOLT ADAPTER</b>	<b>008166</b>	

	<b>K</b>	<b>1</b>	<b>KIT, SINGLE BOLT ADAPTER HARDWARE</b>	<b>113930</b>	
	K1	6	NUT, SERRATED FLANGE, 5/16"-18, 18-8 SS	119250	
	<b>L</b>	<b>1</b>	<b>CORROSION RESISTANT ANTISEIZE, NICKEL, VIBRA-TITE, 90722</b>	<b>002954</b>	

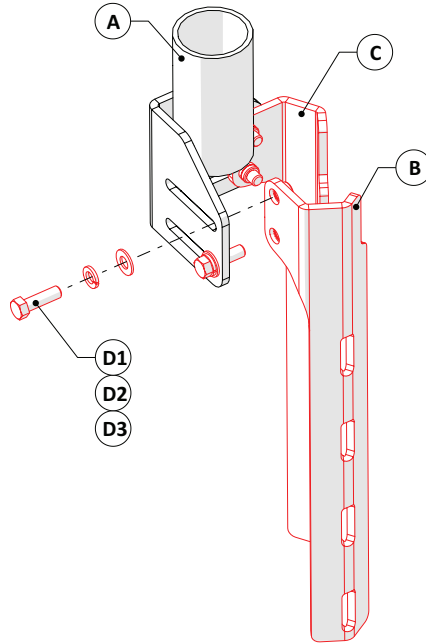
**Note:** Stainless steel hardware to have antiseize lubricant applied.



## ASSEMBLY

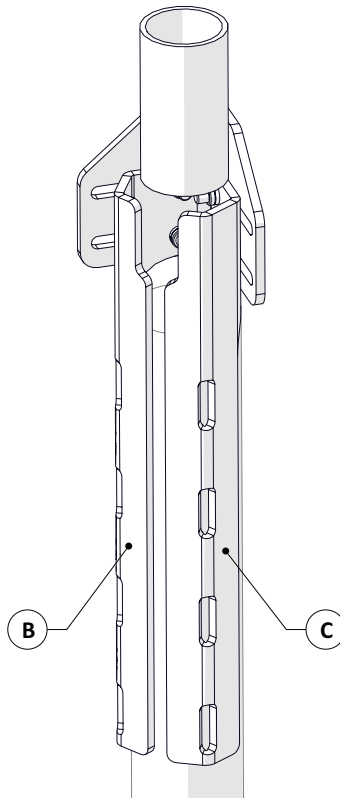
**STEP 1:** Install **Leg, Right (Item B)** and **Leg, Left (Item C)** to **Pole Top Mount (Item A)**.

**Note:** Loosely attach hardware for leg adjustment.



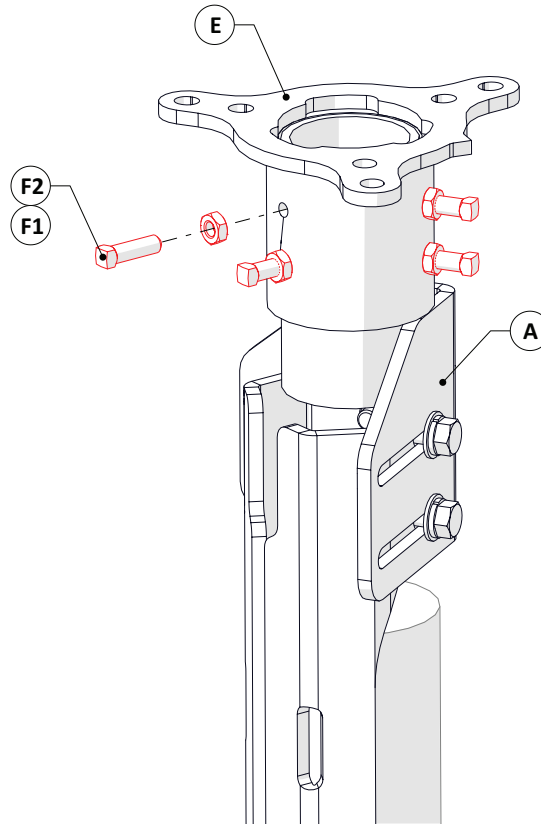
**STEP 2:** Install **Leg, Right (Item B)** and **Leg, Left (Item C)** to pole.

**Note:** Attach with 4X 1" Wide Band Straps (supplied by others). Tighten hardware.

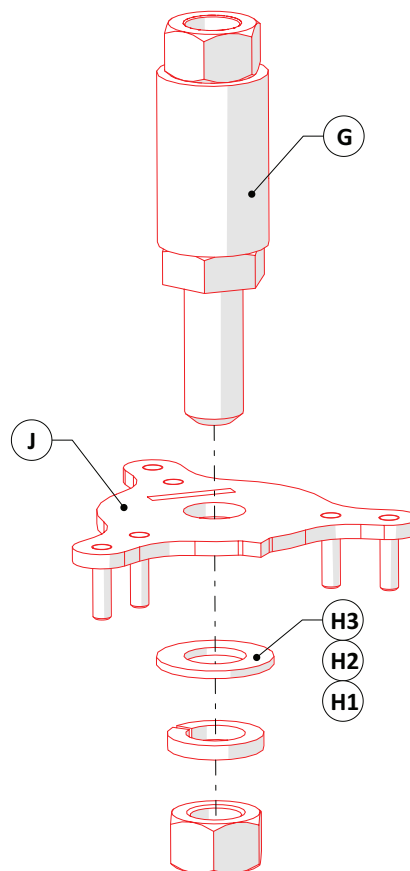




**STEP 3:** Install Slipfit Antenna Sleeve (Item E) to Pole Top Mount (Item A).



**STEP 4:** Install Single Bolt Adapter Extension (Item G) to Single Bolt Adapter (Item J).



**STEP 5:** Install **Single Bolt Adapter (Item J)** to **Slipfit Cantenna Sleeve (Item E)**.

