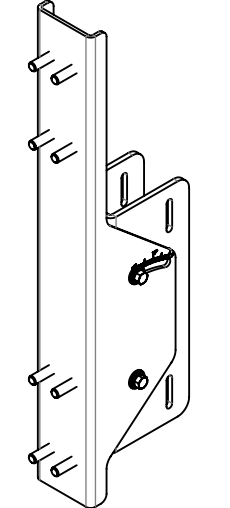
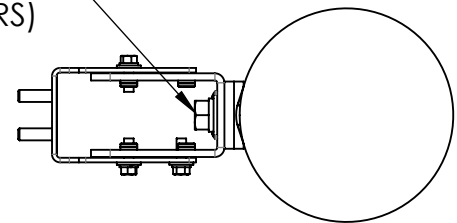
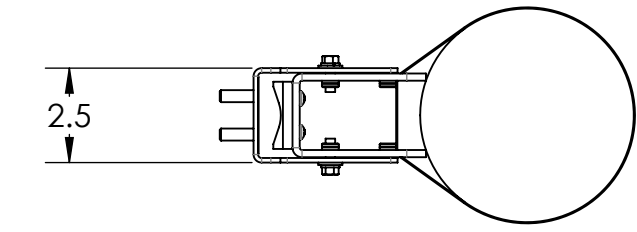


CUTSHEET

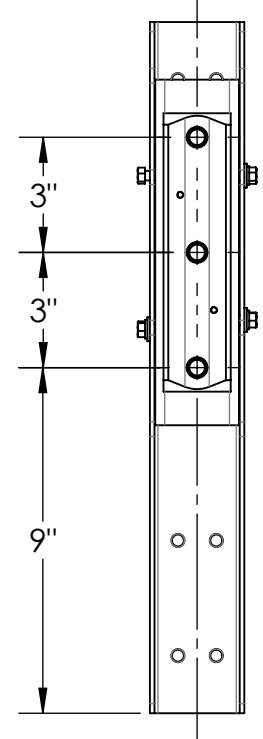
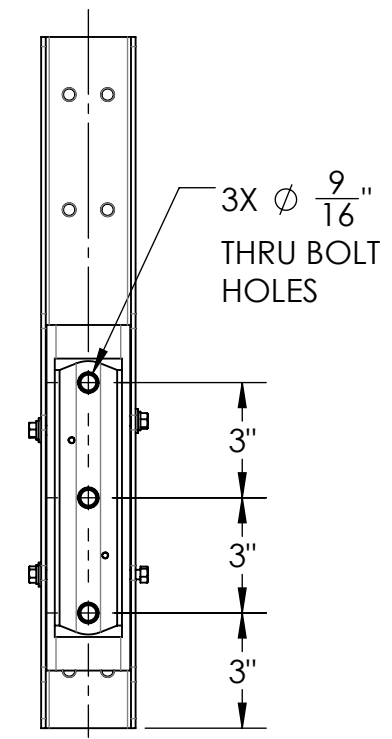
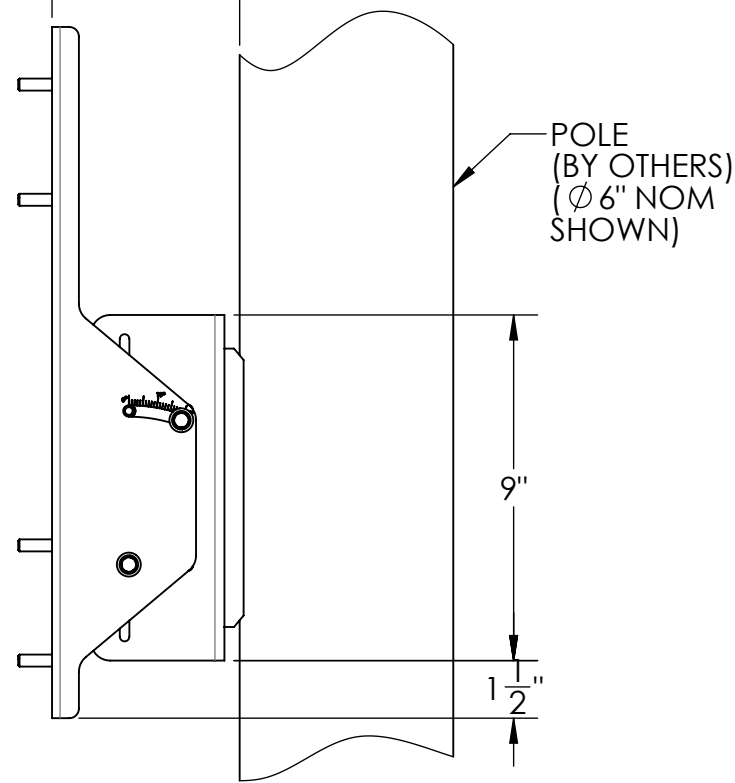
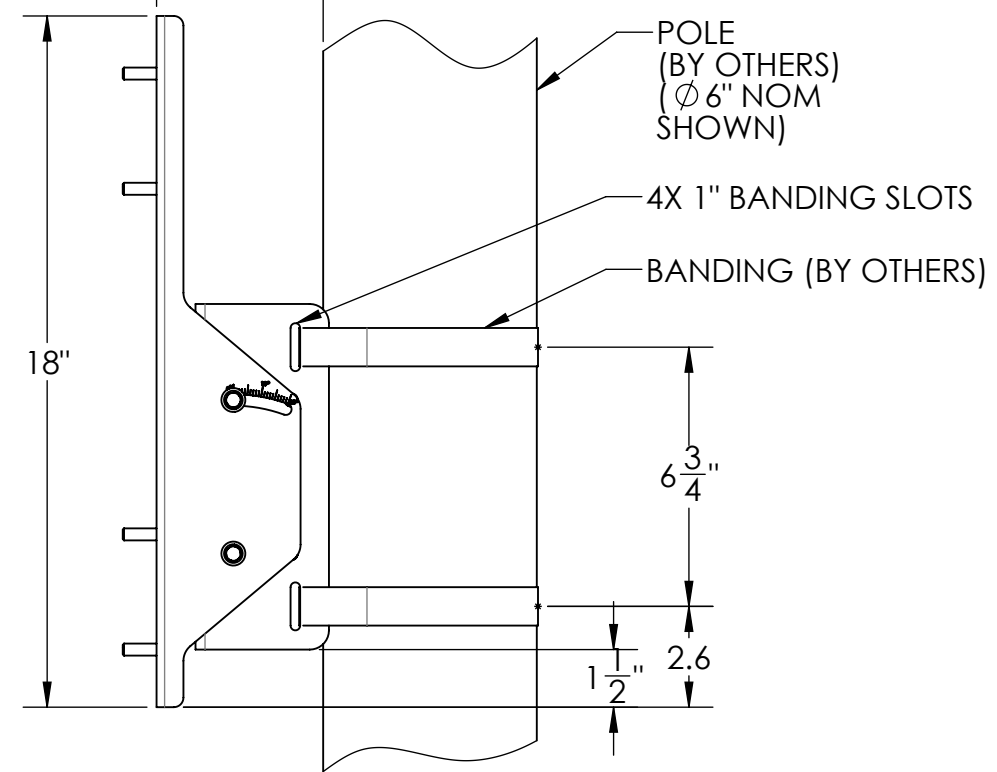
3X Ø 1/2" LAG  
(BOLTS BY OTHERS)

ISOMETRIC VIEW  
SCALE 1 : 6



4 5/16"  
(WILL VARY  
DEPENDING  
ON POLE SIZE)

4 7/8"



BRACKET BANDED TO POLE

BRACKET BOLTED TO POLE

DOWN-TILT ORIENTATION

UP-TILT ORIENTATION

**ConcealFab**  
Corporation

10205 FEDERAL DRIVE  
COLORADO SPRINGS, CO 80908  
PH: 719-599-3400 FX: 719-599-0057  
SALES@CONCEALFAB.COM

**PROPRIETARY INFORMATION**  
USE, REPRODUCTION, OR DISCLOSURE  
IS SUBJECT TO RESTRICTIONS SET FORTH  
IN NON-DISCLOSURE AGREEMENTS AND  
PERTINENT CONTRACTUAL DOCUMENTS.  
© 2021 ConcealFab Corp - All Rights Reserved

**DO NOT SCALE DWG**

DIMENSIONS ARE IN INCHES

NAME:	DATE:
MODELED BY: FNM	02/22/21
DRAWN BY: ALB	01/08/20
APPROVED BY: JAM	02/22/21

TITLE:  
**TILT BRACKET, 20 DEGREES,  
MODULAR SHROUDS**

SCALE: 1:5	SHEET SIZE: B	SHEET: 1 OF 1
SALES NUMBER: <b>900722</b>		REV: <b>C</b>

APPROX. WEIGHT (DOES NOT INCLUDE RF EQUIPMENT)      7.92 LBS