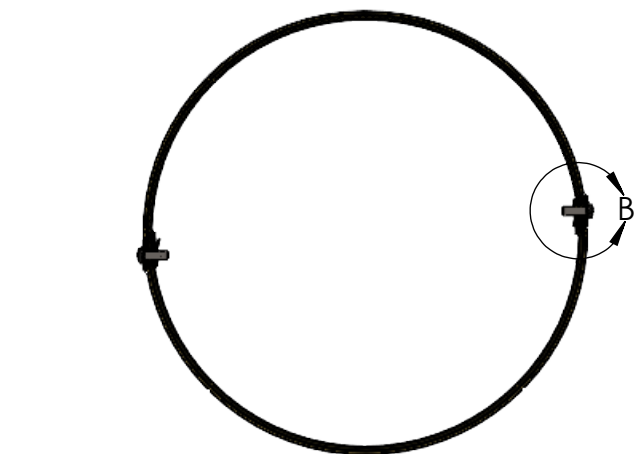
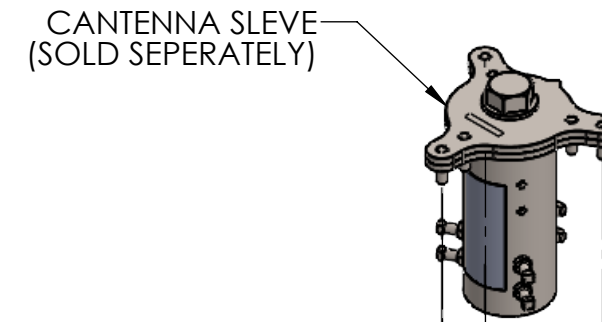
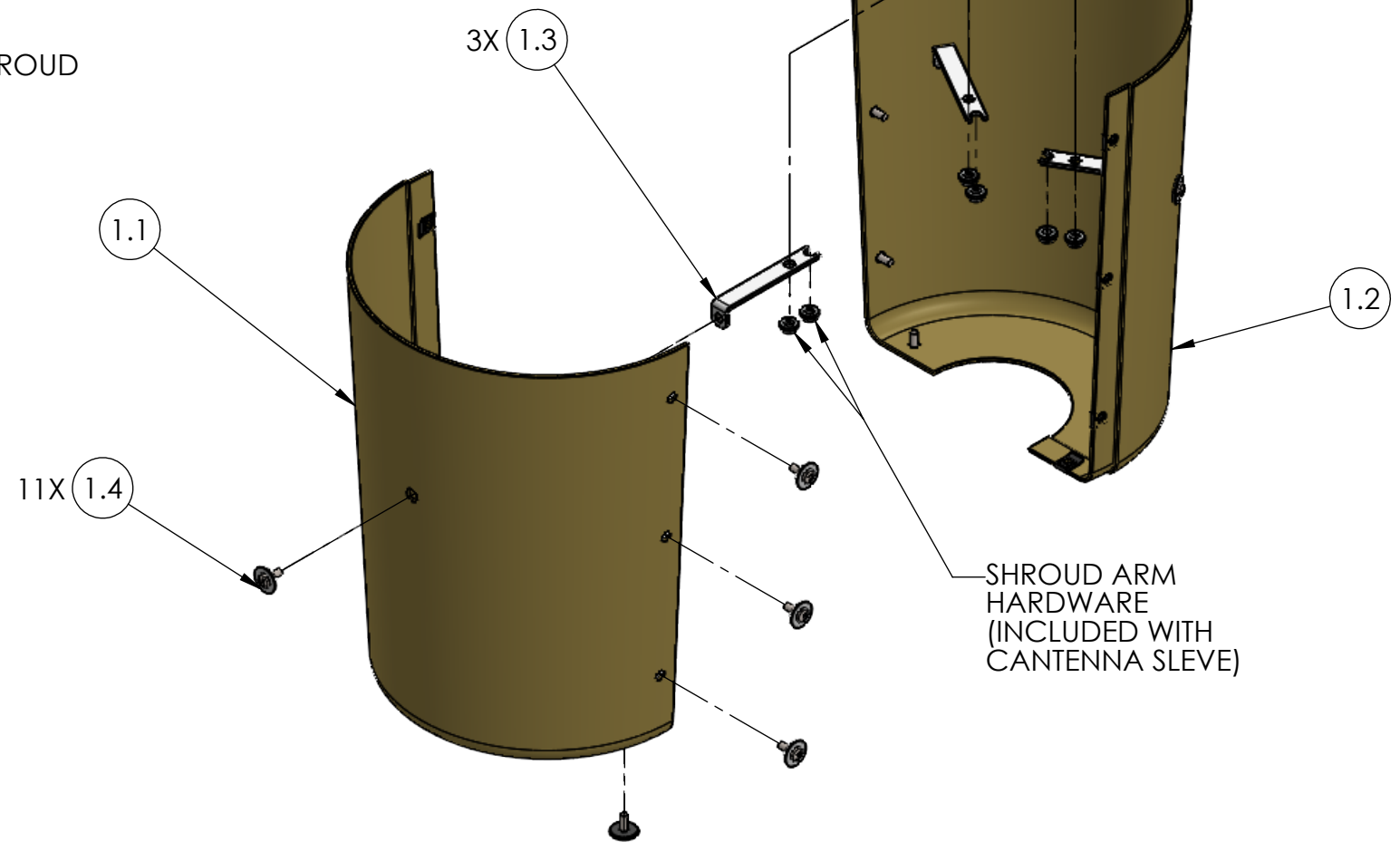


DETAIL B
SCALE 1 : 1



SECTION A-A



NOTES:

1. STAINLESS STEEL HARDWARE TO HAVE ANTISEIZE LUBRICANT APPLIED BEFORE ASSEMBLY.

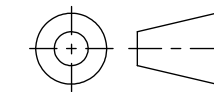
ITEM NO.	QTY.	DESCRIPTION
1	1	ASSY, CABLE SHROUD
1.1	1	ASSY, CABLE SHROUD HALF SINGLE HOLE
1.2	1	ASSY, CABLE SHROUD HALF DOUBLE HOLE
1.3	3	PEM ASSY, SHROUD ARM
1.4	11	ASSY, WASHER, SEALING, 1/4", 18-8 SS, 1" O.D., PHMS, 1/4"-20 X 3/4" LG, 18-8 SS

ConcealFab
Corporation

10205 FEDERAL DRIVE
COLORADO SPRINGS, CO 80908
PH: 719-599-3400 FX: 719-599-0057
SALES@CONCEALFAB.COM

PROPRIETARY INFORMATION
USE, REPRODUCTION, OR DISCLOSURE IS SUBJECT TO RESTRICTIONS SET FORTH IN NON-DISCLOSURE AGREEMENTS AND PERTINENT CONTRACTUAL DOCUMENTS.
© 2017 ConcealFab Corp - All Rights Reserved

DO NOT SCALE DWG



DIMENSIONS ARE IN INCHES

MODELED BY:	FNM	02/04/20
DRAWN BY:	FNM	02/04/20
CHECKED BY:	OBC	06/05/20

TITLE:
CABLE CONCEALMENT SHROUD, 4G/5G POLE TOP

SCALE: 1:6	SHEET SIZE: B	SHEET: 1 OF 1
---------------	------------------	------------------

SALES NUMBER:
900716