

4

3

2

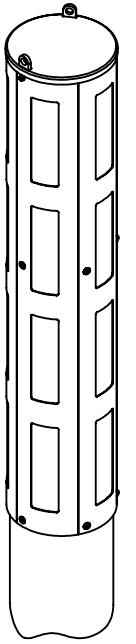
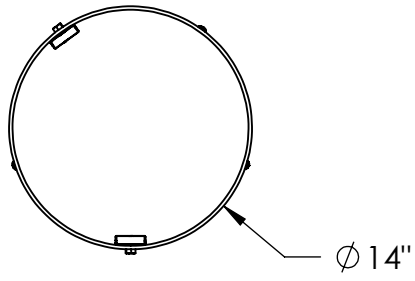
1

PROPOSAL DRAWING

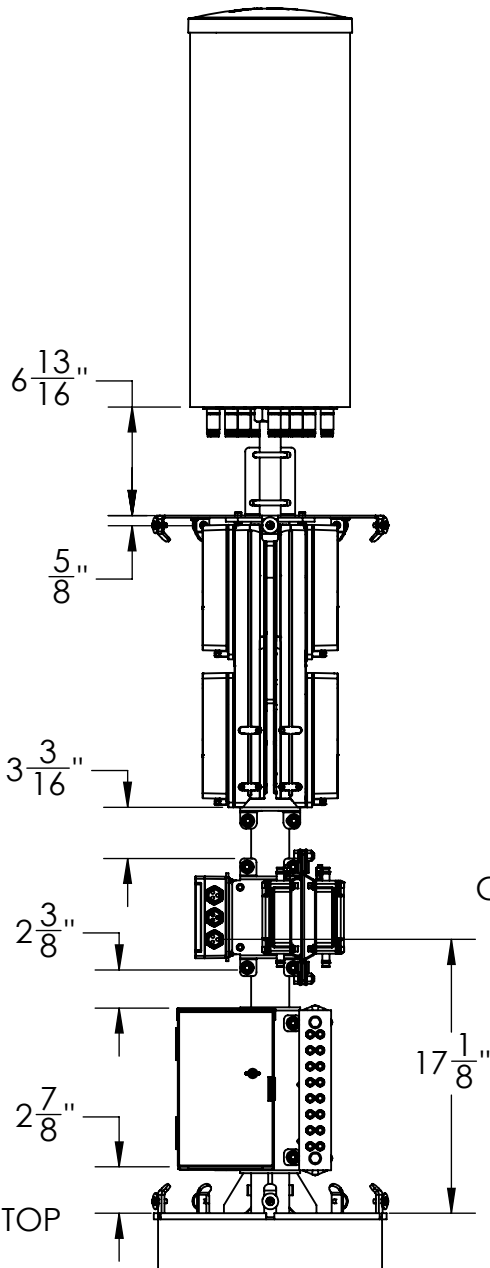
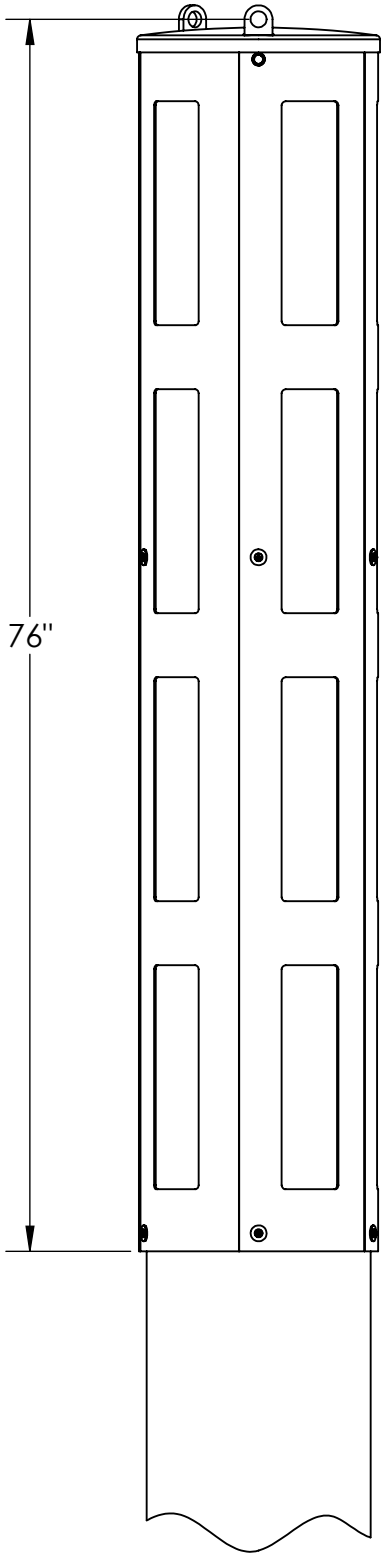
- APPROVED
- APPROVED - WITH CHANGES NOTED
- NOT APPROVED - CHANGE AS NOTED & RESUBMIT

APPROVED BY \_\_\_\_\_

DATE \_\_\_\_\_



SCALE 1 : 26



GALTRONICS P6480  
ANTENNA  
(BY OTHERS)

2X ERICSSON DUAL SUP  
220X RADIOS  
(BY OTHERS)

2X COMMSCOPE  
CBC1923T-DS-43 DIPLEXERS  
(BY OTHERS)

ERICSSON SDC90177/1  
FIBER DISTRIBUTION  
(BY OTHERS)

PTS 90X20 AC POWER BOX  
(BY OTHERS)

NOTES:

1. APPROX. WEIGHT (AS SHOWN): 68.72 LBS. (DOES NOT INCLUDE RADIO OR RF EQUIPMENT)
2. APPROX. VOLUME (AS SHOWN): 7.71 CUBIC FT (DOES NOT INCLUDE TRANSITION SHROUD).

**ConcealFab**  
Corporation

10205 FEDERAL DRIVE  
COLORADO SPRINGS, CO 80908  
PH: 719-599-3400 FX: 719-599-0057  
SALES@CONCEALFAB.COM

**PROPRIETARY INFORMATION**  
USE, REPRODUCTION, OR DISCLOSURE  
IS SUBJECT TO RESTRICTIONS SET FORTH  
IN NON-DISCLOSURE AGREEMENTS AND  
PERTINENT CONTRACTUAL DOCUMENTS.  
© 2017 ConcealFab Corp - All Rights Reserved

**DO NOT**  
SCALE DWG

DIMENSIONS ARE IN INCHES

NAME:	DATE:
MODELED BY: JTM	02/19/19
DRAWN BY: JTM	02/19/19
CHECKED BY: JAM	02/19/19

TITLE: 14" X 76" POLE TOP  
CONCEALMENT, METAL  
POLE, ERICSSON  
CONFIGURATION

SCALE:	SHEET SIZE:	SHEET:
1:12	B	1 OF 1

SALES NUMBER:  
**900405**

4

3

2

1