

4

3

2

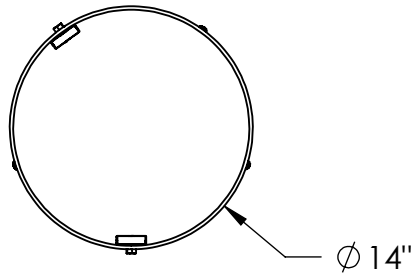
1

PROPOSAL DRAWING

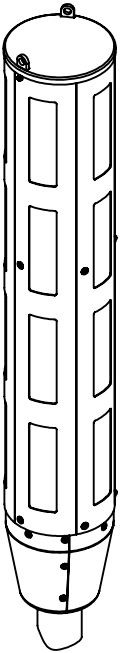
- APPROVED
- APPROVED - WITH CHANGES NOTED
- NOT APPROVED - CHANGE AS NOTED & RESUBMIT

APPROVED BY _____

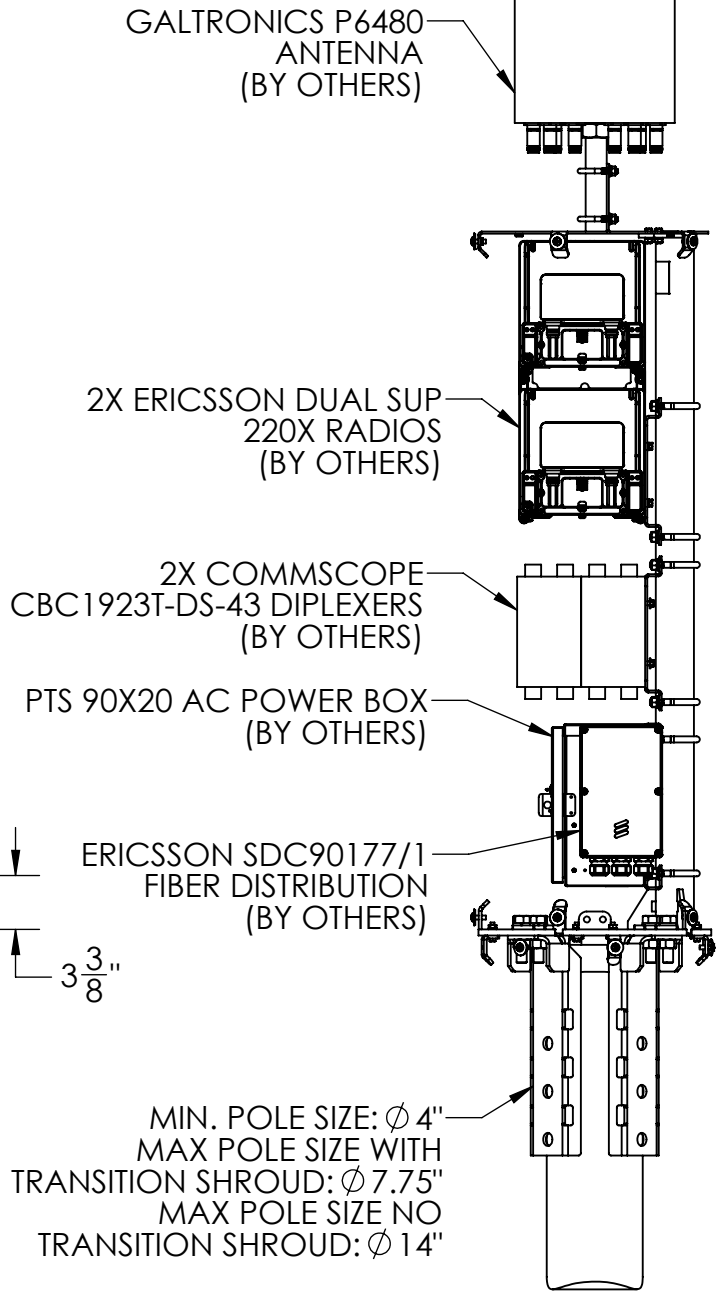
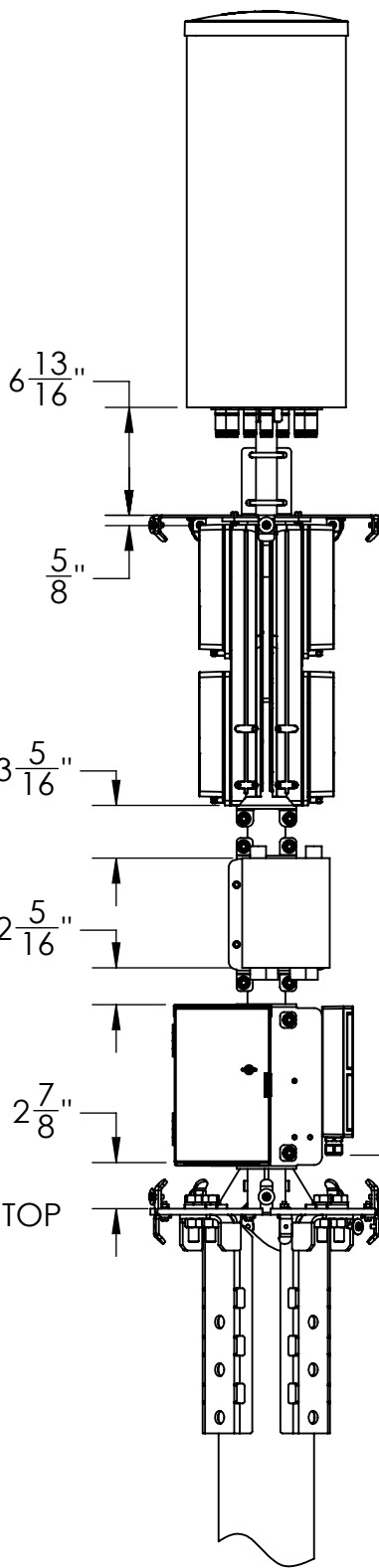
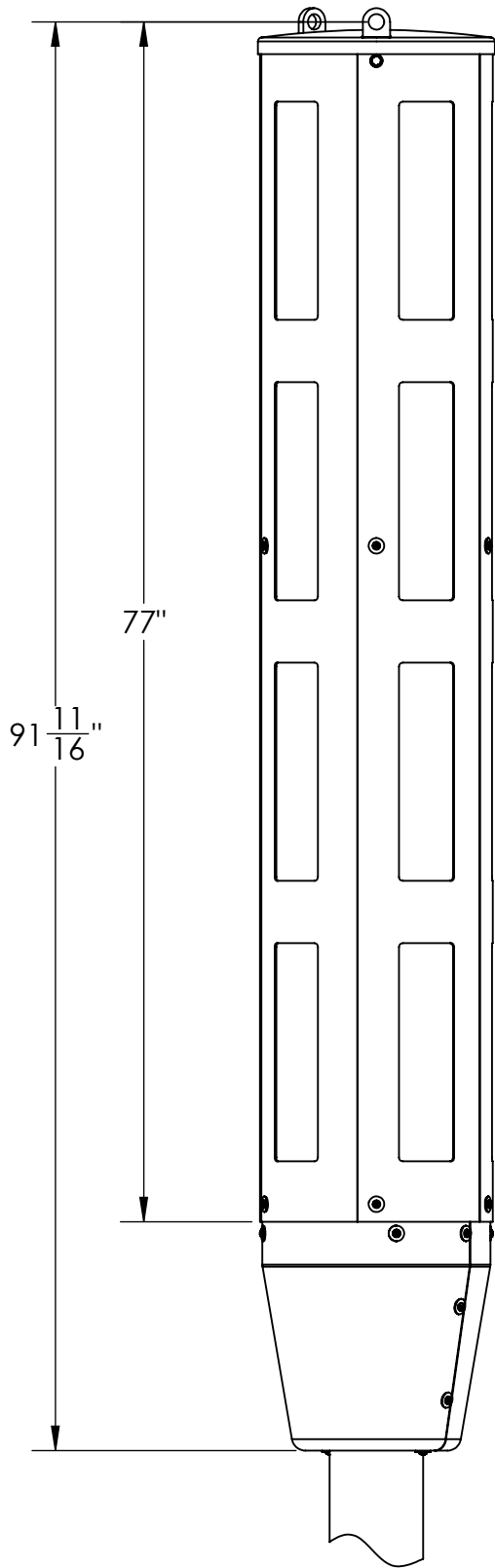
DATE _____



COMMSCOPE DIPLEXER CONFIGURATION



SCALE 1 : 26



MIN. POLE SIZE: Ø 4"
 MAX POLE SIZE WITH
 TRANSITION SHROUD: Ø 7.75"
 MAX POLE SIZE NO
 TRANSITION SHROUD: Ø 14"

NOTES:

1. APPROX. WEIGHT (AS SHOWN): 99.18 LBS. (DOES NOT INCLUDE RADIO OR RF EQUIPMENT)
2. APPROX. VOLUME (AS SHOWN): 7.71 CUBIC FT (DOES NOT INCLUDE TRANSITION SHROUD).

ConcealFab
 Corporation

10205 FEDERAL DRIVE
 COLORADO SPRINGS, CO 80908
 PH: 719-599-3400 FX: 719-599-0057
 SALES@CONCEALFAB.COM

PROPRIETARY INFORMATION
 USE, REPRODUCTION, OR DISCLOSURE
 IS SUBJECT TO RESTRICTIONS SET FORTH
 IN NON-DISCLOSURE AGREEMENTS AND
 PERTINENT CONTRACTUAL DOCUMENTS.
 © 2017 ConcealFab Corp - All Rights Reserved

DO NOT SCALE DWG

DIMENSIONS ARE IN INCHES

NAME:	DATE:
MODELED BY: JTM	10/03/18
DRAWN BY: JTM	01/09/19
CHECKED BY: CGT	01/09/19

TITLE: 14"X76" POLE TOP CONCEALMENT, WOOD POLE, ERICSSON CONFIGURATION

SCALE: 1:12	SHEET SIZE: B	SHEET: 1 of 2
SALES NUMBER: 900213		

4

3

2

1

4

3

2

1

H

H

G

G

F

F

E

E

D

D

C

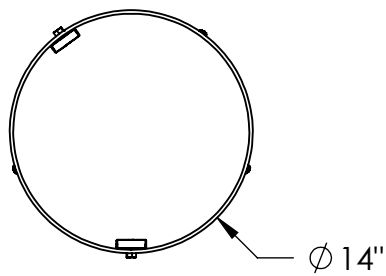
C

B

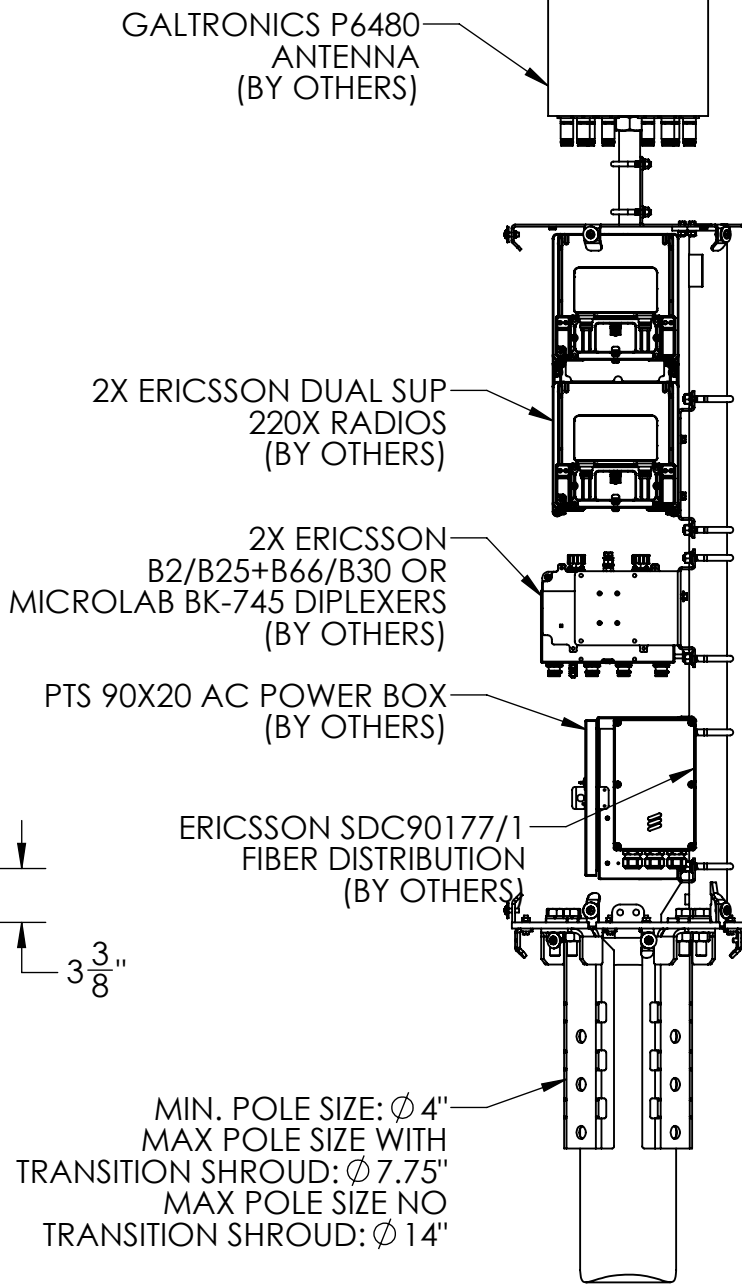
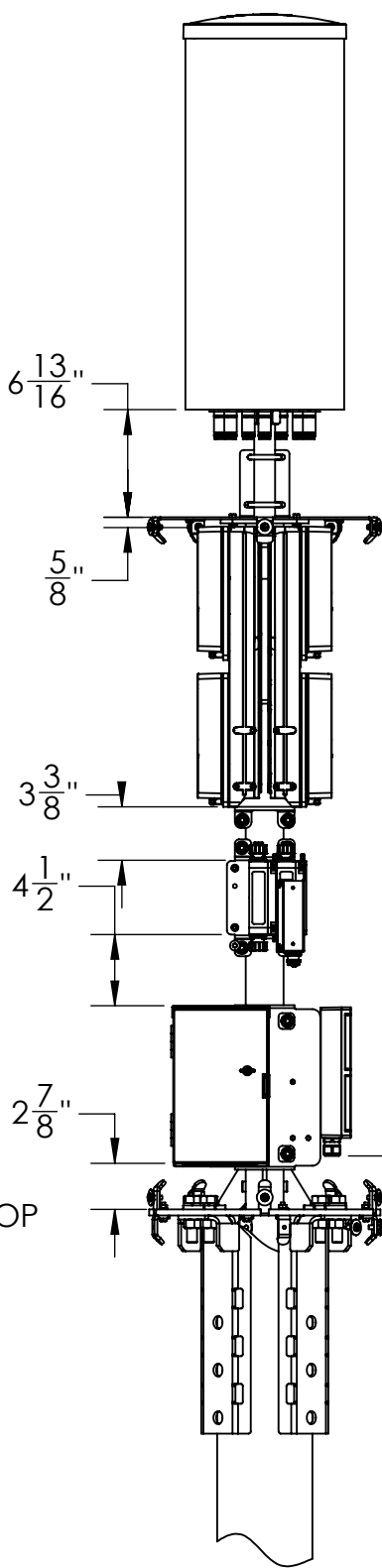
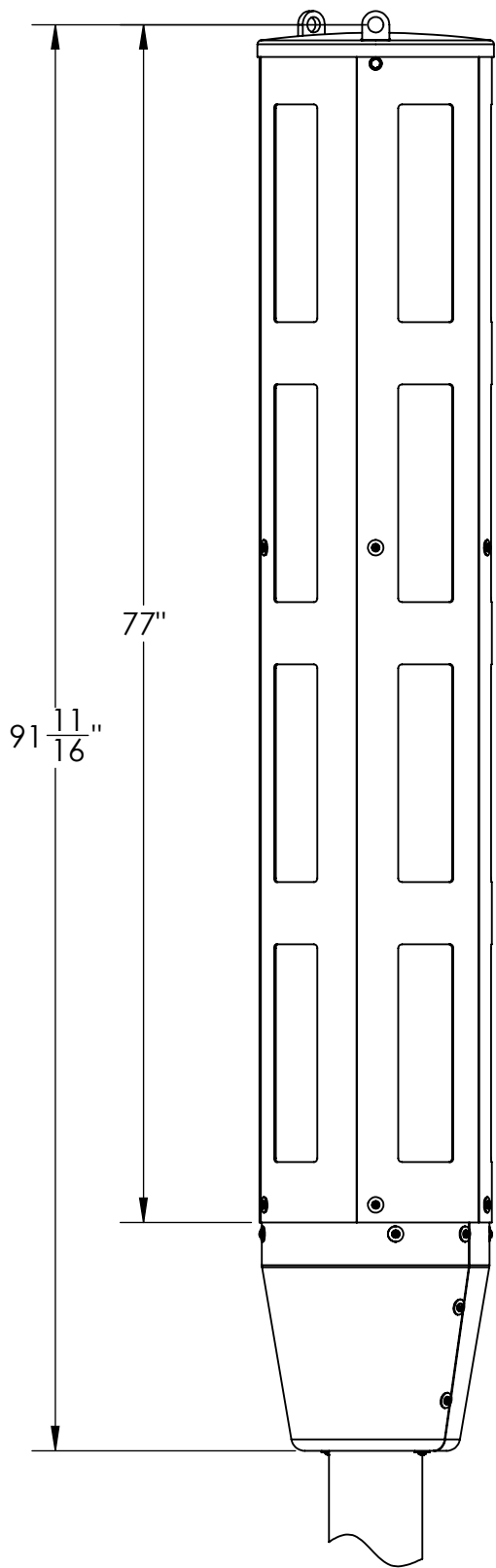
B

A

A



ERICSSON OR MICROLAB DIPLEXER CONFIGURATION



<p>10205 FEDERAL DRIVE COLORADO SPRINGS, CO 80908 PH: 719-599-3400 FX: 719-599-0057 SALES@CONCEALFAB.COM</p> <p>PROPRIETARY INFORMATION USE, REPRODUCTION, OR DISCLOSURE IS SUBJECT TO RESTRICTIONS SET FORTH IN NON-DISCLOSURE AGREEMENTS AND PERTINENT CONTRACTUAL DOCUMENTS. © 2017 ConcealFab Corp - All Rights Reserved</p>	<p>DO NOT SCALE DWG</p>		<p>TITLE: 14"X76" POLE TOP CONCEALMENT, WOOD POLE, ERICSSON CONFIGURATION</p>		
	<p>DIMENSIONS ARE IN INCHES</p>		SCALE:	SHEET SIZE:	SHEET:
	NAME:	DATE:	1:12	B	2 of 2
MODELED BY:	JTM	10/03/18	SALES NUMBER:		
DRAWN BY:	JTM	01/09/19	900213		
CHECKED BY:	CGT	01/09/19			

4

3

2

1