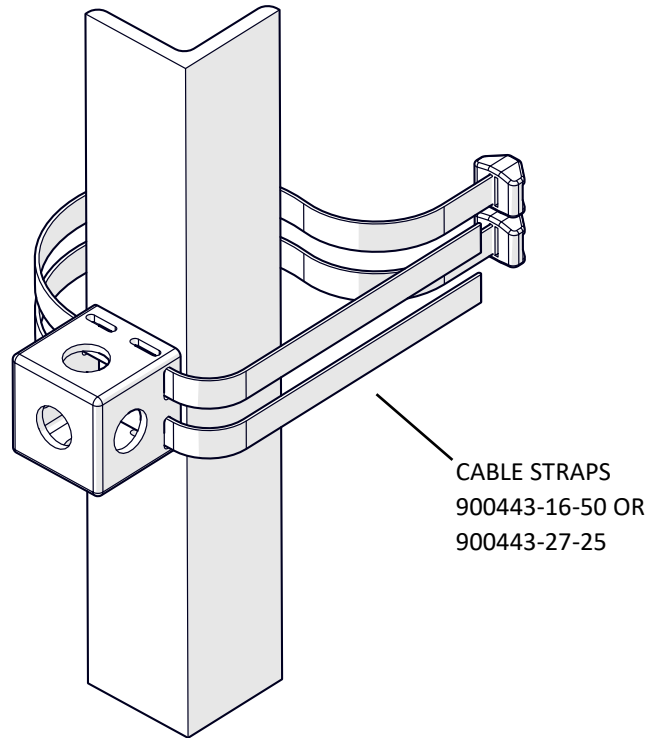


900945-10: PIM Shield Snap-In Adapter, Cube, 5 position (sold in packages of 10)

STEP 1

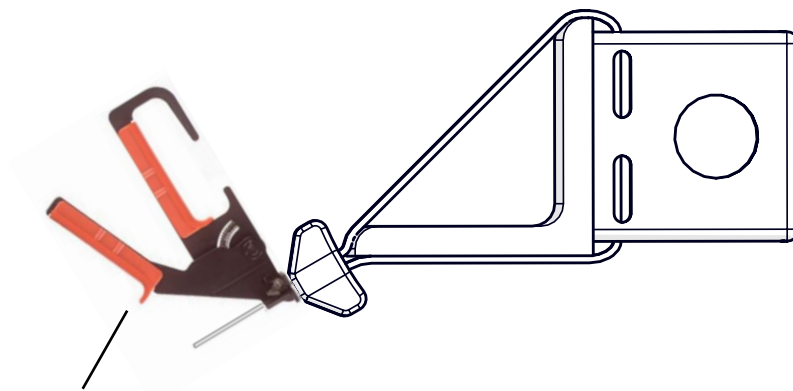
Pass appropriate length of PIM Shield Cable Straps through Snap-In Adapter, around angle member, and back through Locking Head.



STEP 1

STEP 2

Use Cable Strap installation tool (900442 or equivalent) to tighten Cable Strap in position shown and flush-cut tail to Locking Head.



INSTALLATION TOOL
(900442)

STEP 2