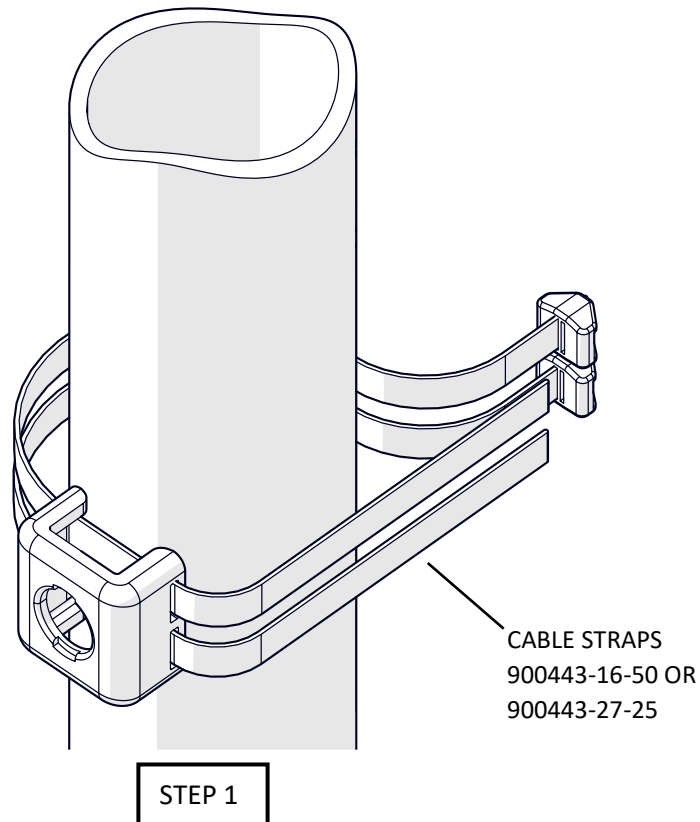


900939-10: PIM Shield Snap-In Adapter, 1 position (sold in packages of 10)

June 2022

STEP 1

Pass appropriate length of PIM Shield Cable Straps through Snap-In Adapter, around pipe, and back through Locking Head.

**STEP 2**

Use Cable Strap installation tool (900442 or equivalent) to tighten Cable Strap in position shown and flush-cut tail to Locking Head.

