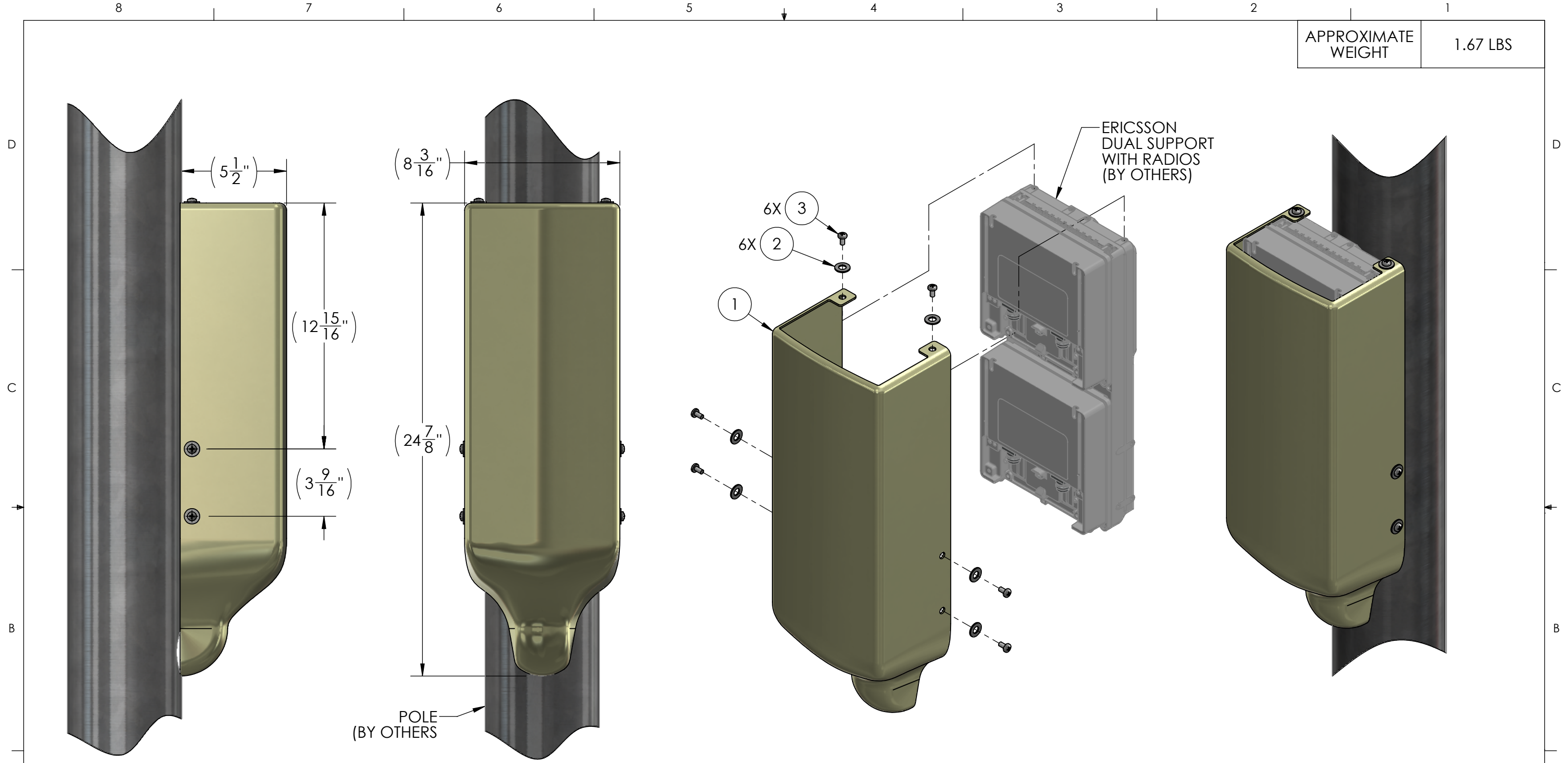


APPROXIMATE WEIGHT	1.67 LBS
--------------------	----------



ITEM NO.	QTY.	DESCRIPTION
1	1	MOLDED, SUN SHIELD, 2X 2203
2	6	WASHER, FLAT, 3/8", 18-8 SS
3	6	PHMS, M6 X 1.0MM X 12MM LG, 18-8 SS

NOTES:

1. STAINLESS STEEL HARDWARE TO HAVE ANTISEIZE LUBRICANT APPLIED BEFORE ASSEMBLY.
2. **IMPORTANT:** SUNSHIELD PRODUCT MUST BE FINISHED BY CUSTOMER WITH UV INHIBITOR FOR WEATHER PROTECTION.

ConcealFab
Corporation

10205 FEDERAL DRIVE
COLORADO SPRINGS, CO 80908
PH: 719-599-3400 FX: 719-599-0057
SALES@CONCEALFAB.COM

PROPRIETARY INFORMATION
USE, REPRODUCTION, OR DISCLOSURE IS SUBJECT TO RESTRICTIONS SET FORTH IN NON-DISCLOSURE AGREEMENTS AND PERTINENT CONTRACTUAL DOCUMENTS.
© 2017 ConcealFab Corp - All Rights Reserved

DO NOT SCALE DWG

DIMENSIONS ARE IN INCHES

NAME:	DATE:
MODELED BY: ALB	11/07/18
DRAWN BY: ALB	11/09/18
CHECKED BY: JAM	11/12/18

TITLE: KIT, SUN SHIELD, 2X 2203

SCALE: 1:5	SHEET SIZE: B	SHEET: 1 OF 1
SALES NUMBER: 009014		

A

A

8 7 6 5 4 3 2 1

D

D

C

C

B

B

8 7 6 5 4 3 2 1