

Installation Instructions

PSCC-XXXX-10 – PIM Shield Cable Cushion,
Qty 10

STEP 1

Insert Cable Cushion into Hybrid Snap-In.

STEP 2

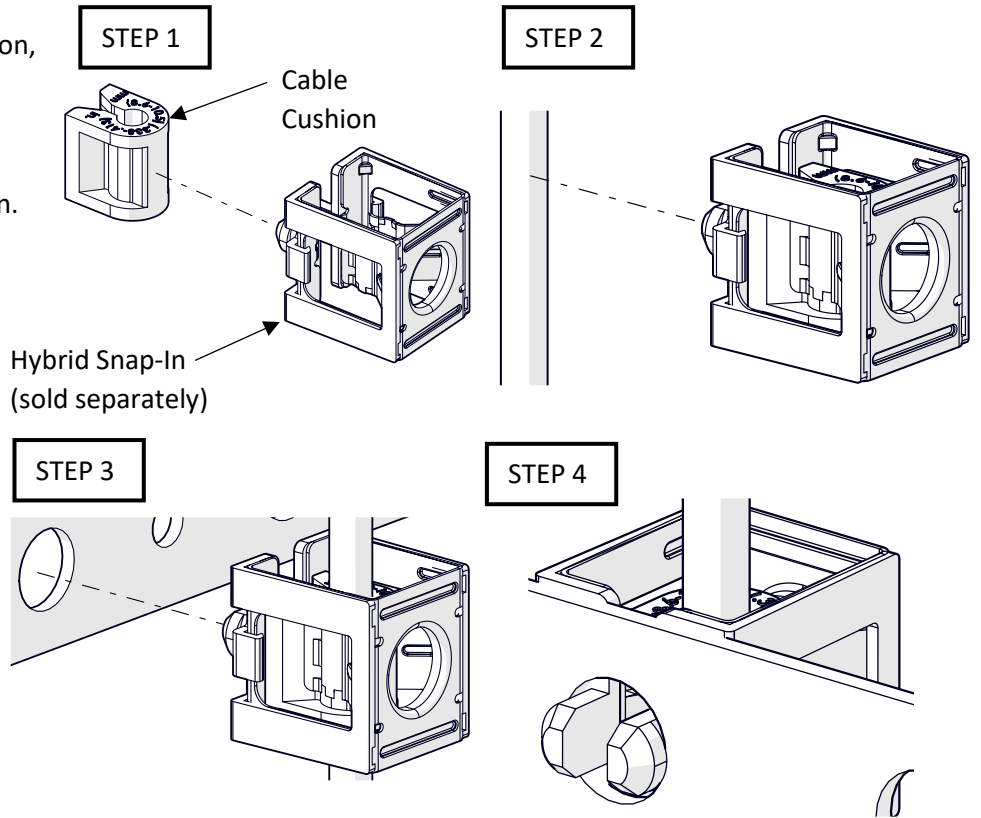
Press Assembly onto the cable.

STEP 3

Press Hybrid Snap-In into hole.

STEP 4

Assure the correct hooking of the tabs.



Installation Instructions

PSCC-XXXX-10 – PIM Shield Cable Cushion,
Qty 10

STEP 1

Insert Cable Cushion into Hybrid Snap-In.

STEP 2

Press Assembly onto the cable.

STEP 3

Press Hybrid Snap-In into hole.

STEP 4

Assure the correct hooking of the tabs.

