

**Installation Instructions**

PSCB-XXXX-10 – PIM Shield Cable Block, Qty 10

**STEP 1**

Install hardware and first half of Cable Support Bracket.

**STEP 2**

Insert cables into internal saddle position.

**STEP 3**

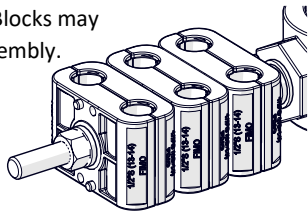
Attach second half of Cable Support Bracket.

**STEP 4**

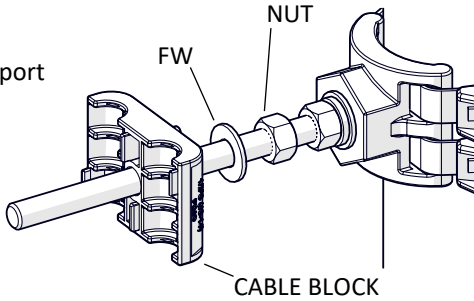
Install final hardware pieces in place.

(Torque: 10 Ft-lb, ConcealFab Tool PN: 900053).

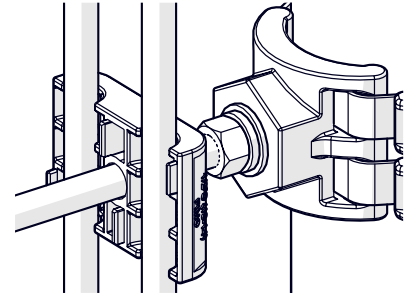
Multiple Cable Blocks may be added to assembly.



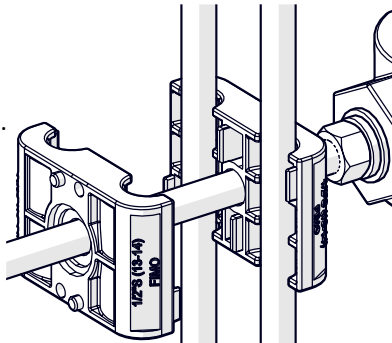
STEP 1



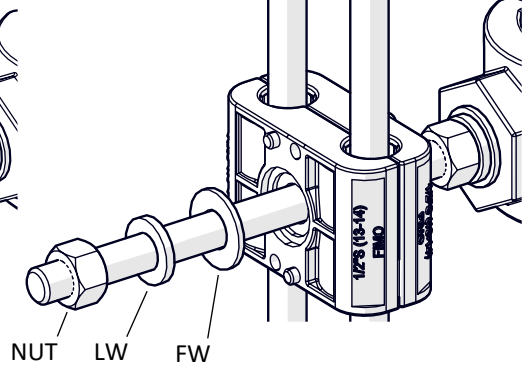
STEP 2



STEP 3



STEP 4



**Installation Instructions**

PSCB-XXXX-10 – PIM Shield Cable Block, Qty 10

**STEP 1**

Install hardware and first half of Cable Support Bracket.

**STEP 2**

Insert cables into internal saddle position.

**STEP 3**

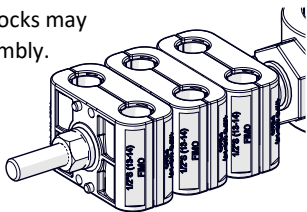
Attach second half of Cable Support Bracket.

**STEP 4**

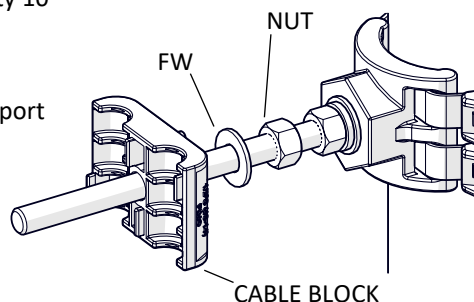
Install final hardware pieces in place.

(Torque: 10 Ft-lb, ConcealFab Tool PN: 900053).

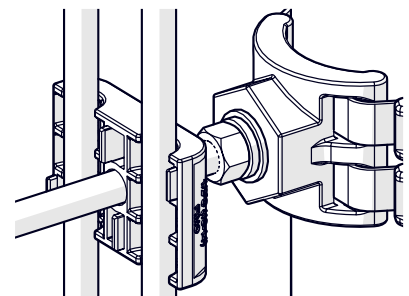
Multiple Cable Blocks may be added to assembly.



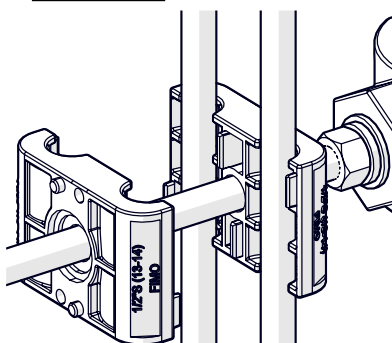
STEP 1



STEP 2



STEP 3



STEP 4

