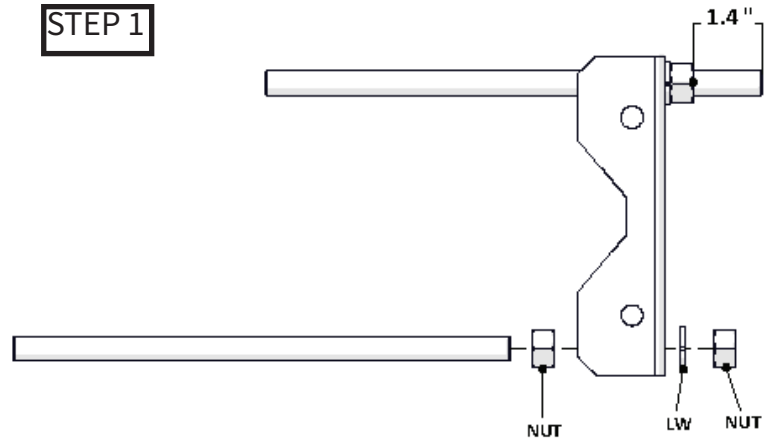


**901166-02:** PIM Shield Cable Support Bar, Pole Mount Kit, Extended Range, 26 Position

**901166-02-3:** PIM Shield Cable Support Bar, Pole Mount Kit, Extended Range, 26 Position, 3-pack

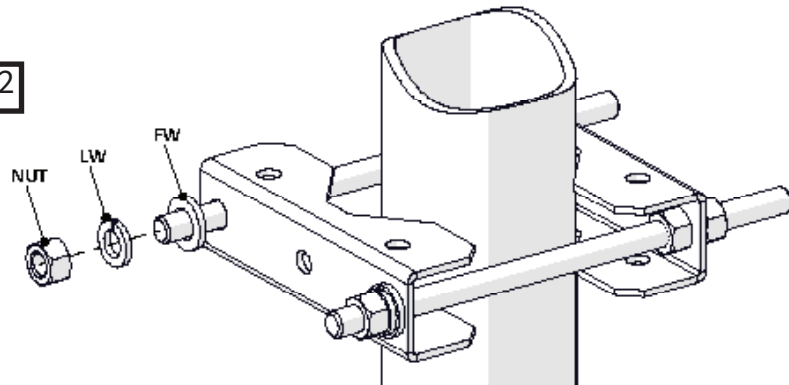
**STEP 1:** Attach threaded rods to bracket, set to desired offset length. Be sure to leave a **MINIMUM of 1.4 inches** of threaded rod extending from saddle bracket nut. (Torque greater than 20-Ft-lb)

**STEP 1**



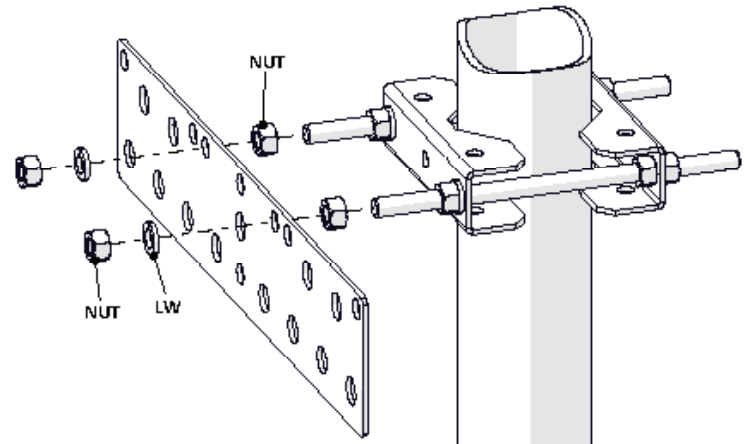
**STEP 2:** Attach saddle brackets to pole.

**STEP 2**



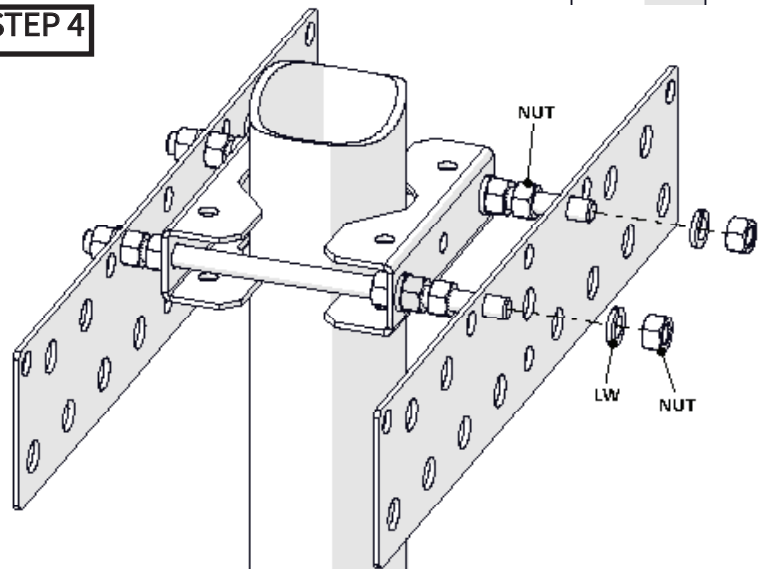
**STEP 3:** Attach first bar to threaded rods.

**STEP 3**



**STEP 4:** Attach second bar to threaded rods.

**STEP 4**



**Torque:** 20 Ft-lb all connections

(ConcealFab Tool PN: 900413)