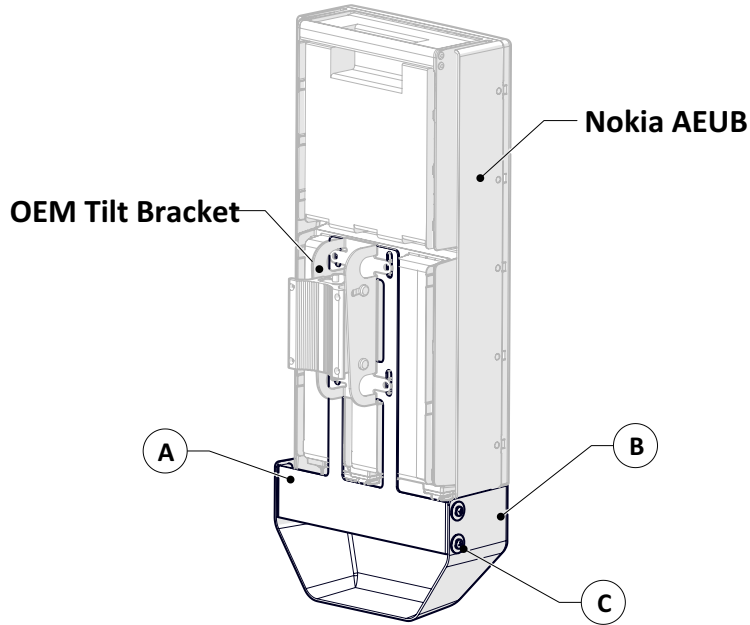


ITEM	QTY	DESCRIPTION	PART NO.	PKG'D
A	1	AEUB SHROUD BRACKET	120768	
B	1	SHROUD	120770	
C	4	WASHER, SEALING, 1/4", 18-8 SS, 1" O.D., PHMS, 1/4"-20 X 3/4" LG, 18-8 SS	100345	
D	1	CORROSION RESISTANT ANTISEIZE, NICKEL, VIBRA-TITE, 90722	002954	

Note: Stainless steel hardware to have antiseize lubricant applied before assembly.



STEP 1: Bolt AEUB Shroud Bracket (Item A) to Nokia AEUB (by others).

