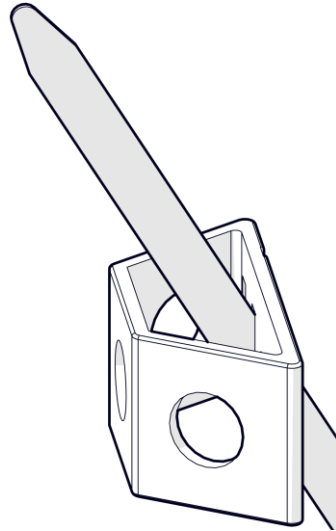


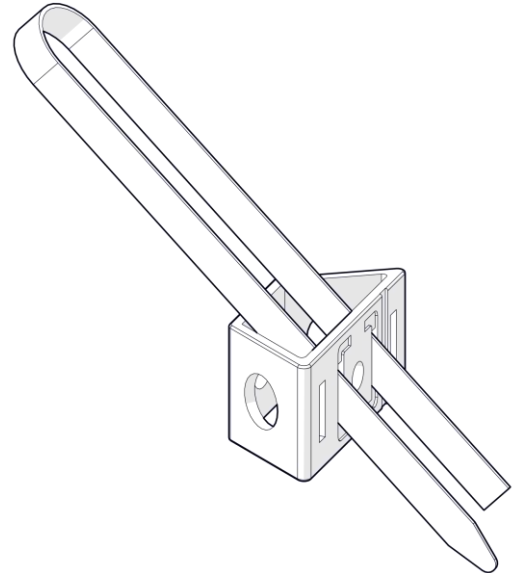
**Installation on round members**

**STEP 1**

Insert strap through one slot diagonally.



STEP 1



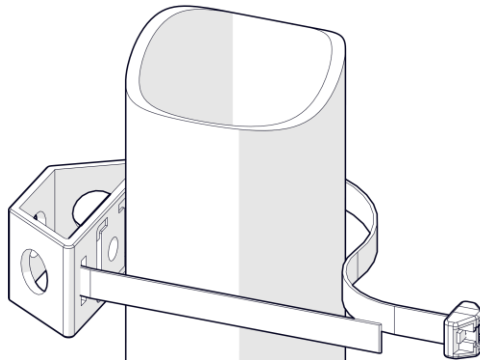
STEP 2

**STEP 2**

Slide strap back through matching slot.

**STEP 3**

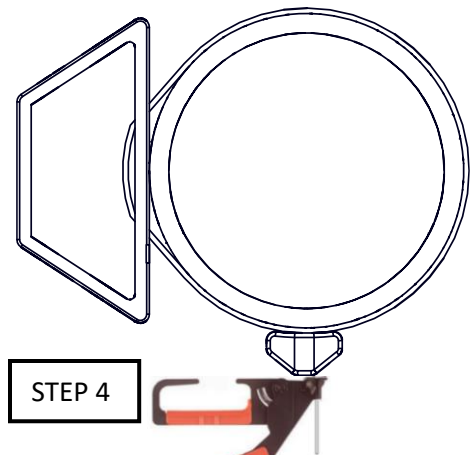
Pull strap through and position around structural member.



STEP 3

**STEP 4**

Pass strap through locking head and tighten using ConcealFab Tool 900442 or equivalent.



STEP 4

INSTALLATION TOOL  
900442

**Installation on Rail system**

Threaded stud installation shown using M10 Channel Runner Kit (900360) and Pim Shield Rail

For M10: Torque to 15ft-lb, ConcealFab Tool 900412

For 3/8": Torque to 10ft-lb, ConcealFab tool 900053

