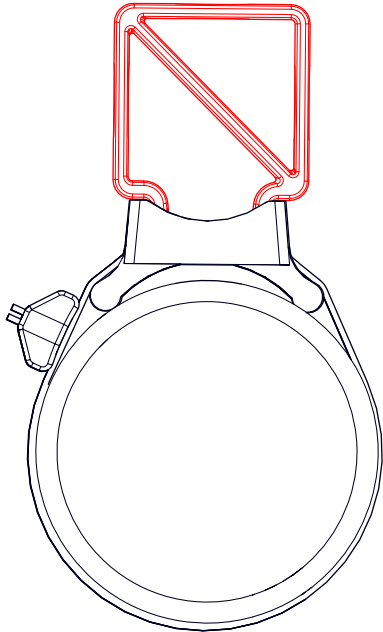


900713-10: PIM Shield Snap-In Adapter, 3 Position (Sold in packages of 10)

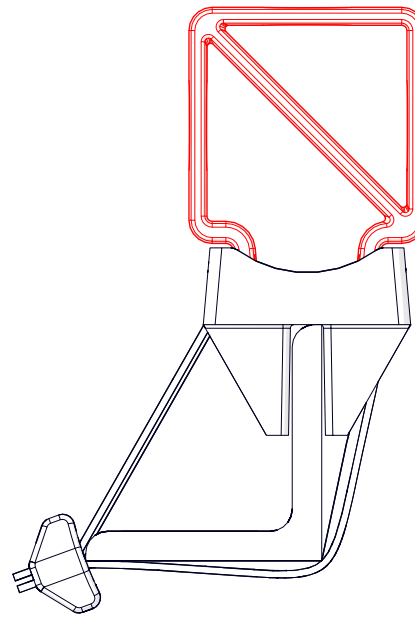
June 2022

**STEP 1**

Insert adapter into 900638-10 or 900639-10 Universal Base and secure to round or angle member using PIM Shield Straps.



900638-10



900639-10

**STEP 2**

Insert Snap-In cable hanger onto cable and press Snap-In into hole. (Refer to instructions included with Snap-In cable hanger for this step).

