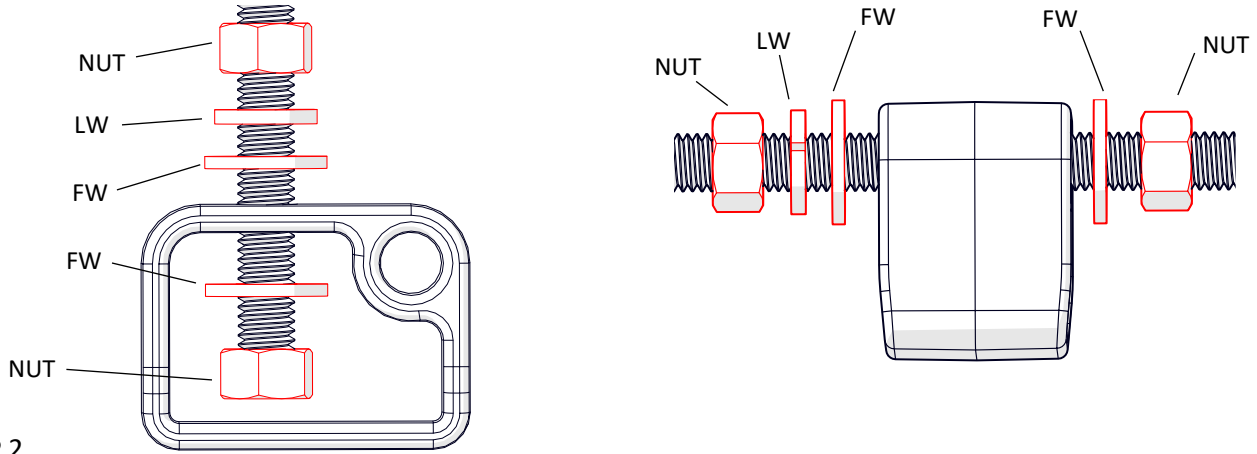


900712-10: PIM Shield Threaded Rod Adapter (Sold in packages of 10)

June 2022

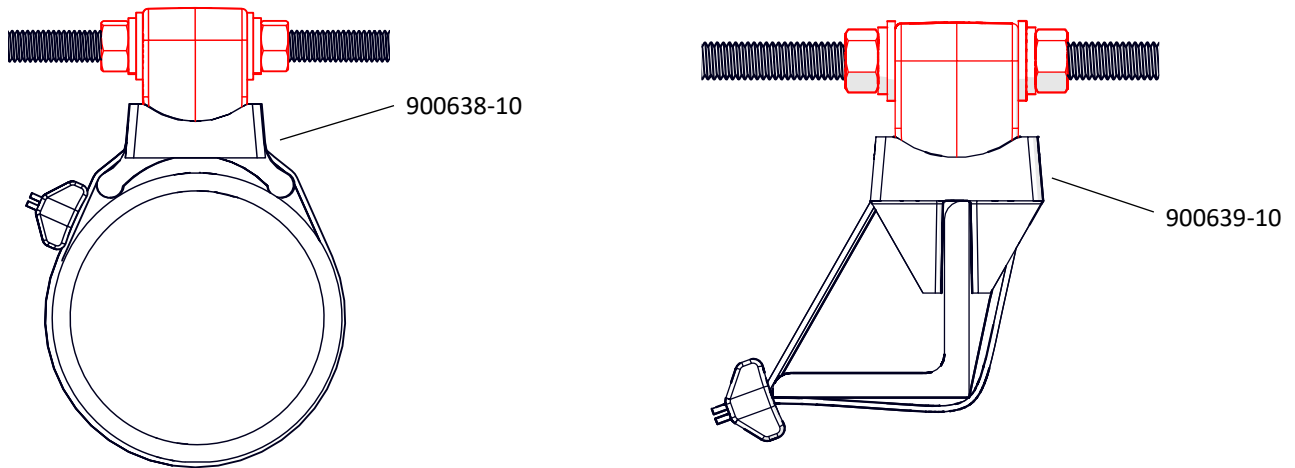
**STEP 1**

Attach Threaded Rod (Sold Separately) to PIM Shield Threaded Rod Adapter in desired orientation. (Torque 10 Ft-Lb., ConcealFab tool PN: 900053)



**STEP 2**

Insert Adapter into 900638-10 or 900639-10 Universal Base and secure to round or angle member using PIM Shield Cable Straps. (Refer to instructions included with 900638-10 or 900639-10 for this step).



**STEP 3**

Attach Cable Support Blocks (Sold Separately) to Threaded Rods. (Torque 10 Ft-Lb., ConcealFab tool PN: 900053)

