

Installation Instructions

900711 – PIM Shield Channel Runner Kit, 3/8, Galvanized

STEP 1

Insert Galvanized channel runner kit into rail.

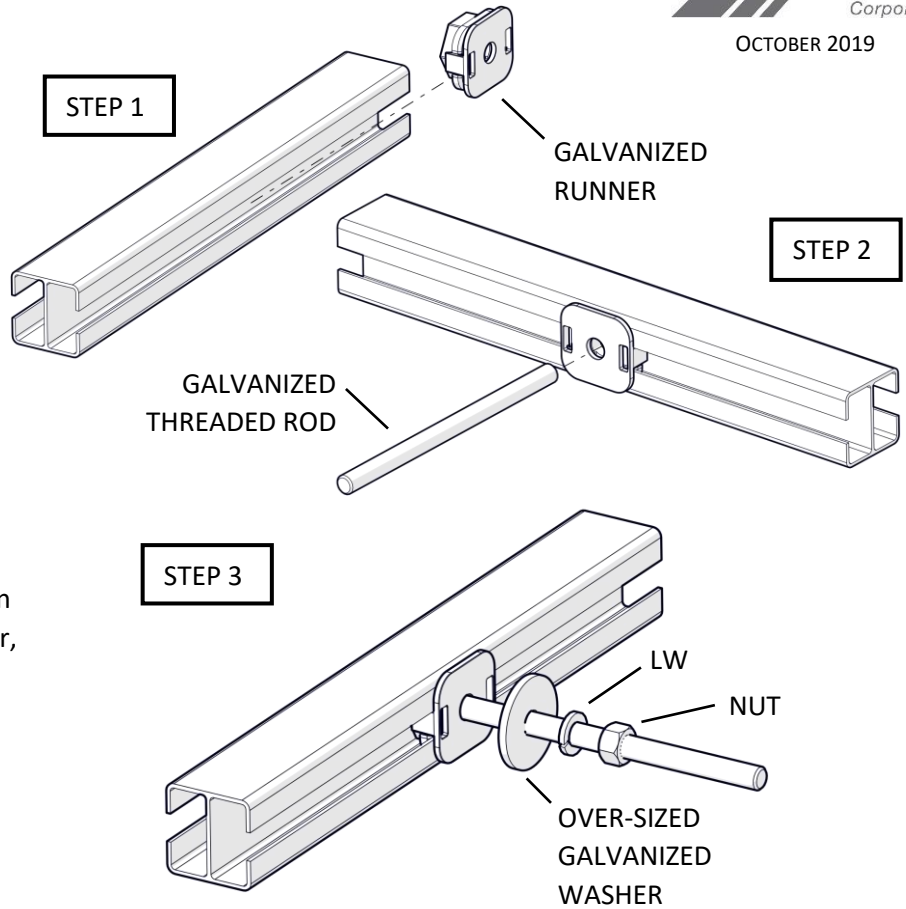
STEP 2

Screw 3/8" Galvanized threaded rod into channel runner kit until it bottoms out.

STEP 3

Position threaded rod to desired location on rail and install over-sized Galvanized washer, lock washer and nut onto threaded rod.

Torque: 10 Ft-lb
(ConcealFab Tool PN: 900053)



Installation Instructions

900711 – PIM Shield Channel Runner Kit, 3/8, Galvanized

STEP 1

Insert Galvanized channel runner kit into rail.

STEP 2

Screw 3/8" Galvanized threaded rod into channel runner kit until it bottoms out.

STEP 3

Position threaded rod to desired location on rail and install over-sized Galvanized washer, lock washer and nut onto threaded rod.

Torque: 10 Ft-lb
(ConcealFab Tool PN: 900053)

