

900639-10: PIM Shield Universal Base, Angle Adapter, 1/4" (Sold in packages of 10)

June 2022

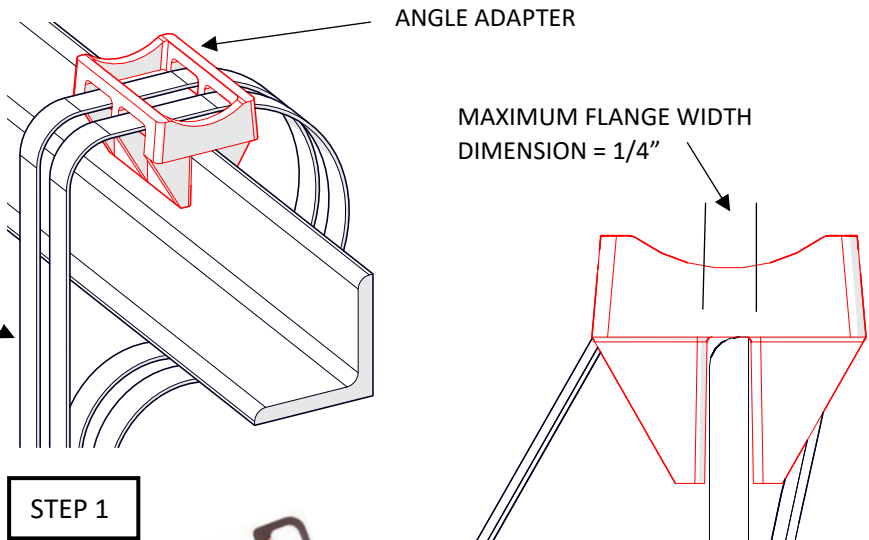
The angle adapter can be used by itself to secure cable bundles or can be used with 900712-10 or 900713-10 adapters to secure cable support blocks or snap-in cable hangers.

Cable Bundles

STEP 1

Pass appropriate length of PIM Shield Cable Straps through Universal Base, around angle, and back through Locking Head.

CABLE STRAPS
900443-16-50
900443-27-25

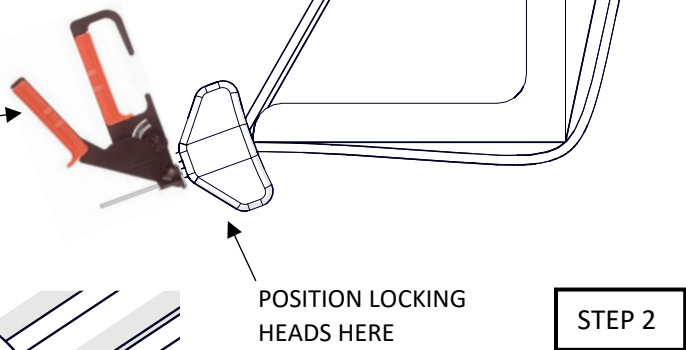


STEP 1

STEP 2

Use Cable Strap installation tool (900442 or equivalent) to tighten cable strap in position shown and flush cut tail to Locking Head.

INSTALLATION TOOL
900442

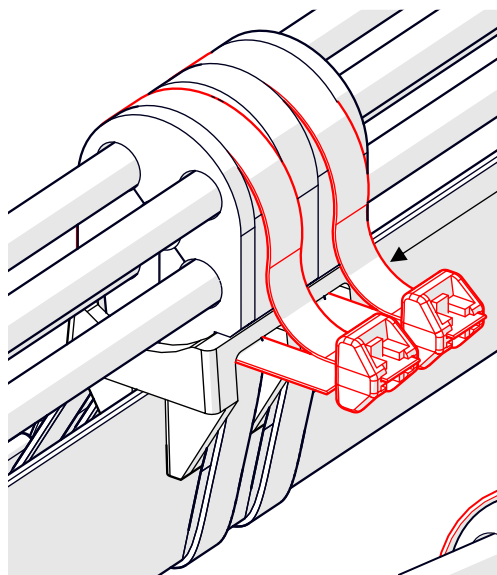


STEP 2

STEP 3

Pass Cable Straps (900443-16-50) through Universal Base, around cable bushing/bundle, and back through Locking Head.

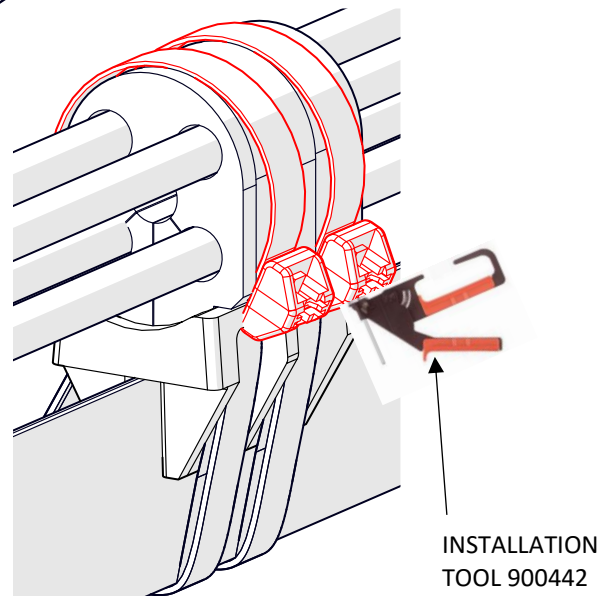
CABLE STRAPS
900443-16-50
900443-27-25



STEP 3

STEP 4

Use Cable Strap installation tool (900442 or equivalent) to tighten cable straps in position shown and flush cut to Locking Head.



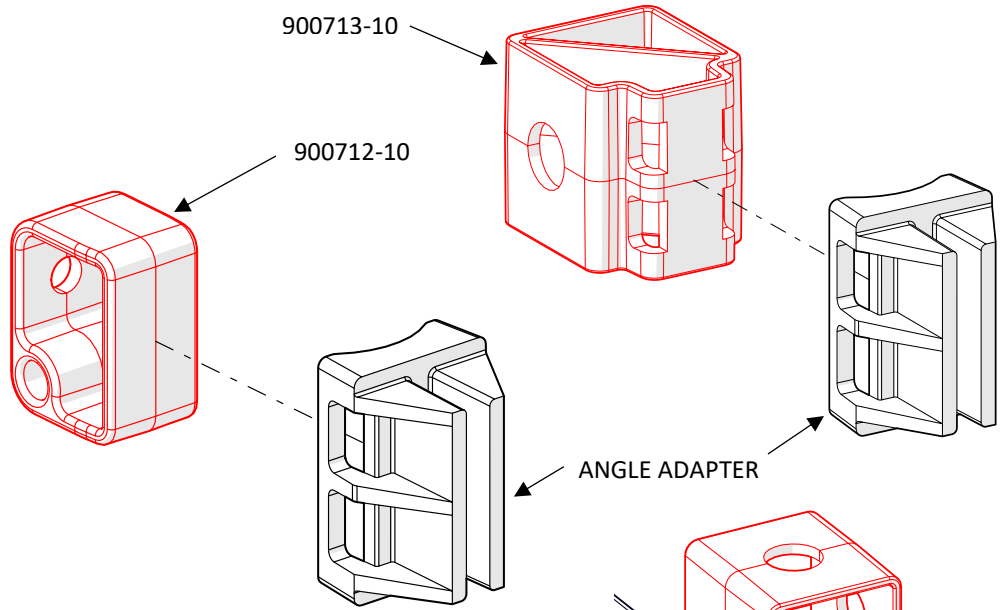
STEP 4

Adapters (see reverse)

Adapters

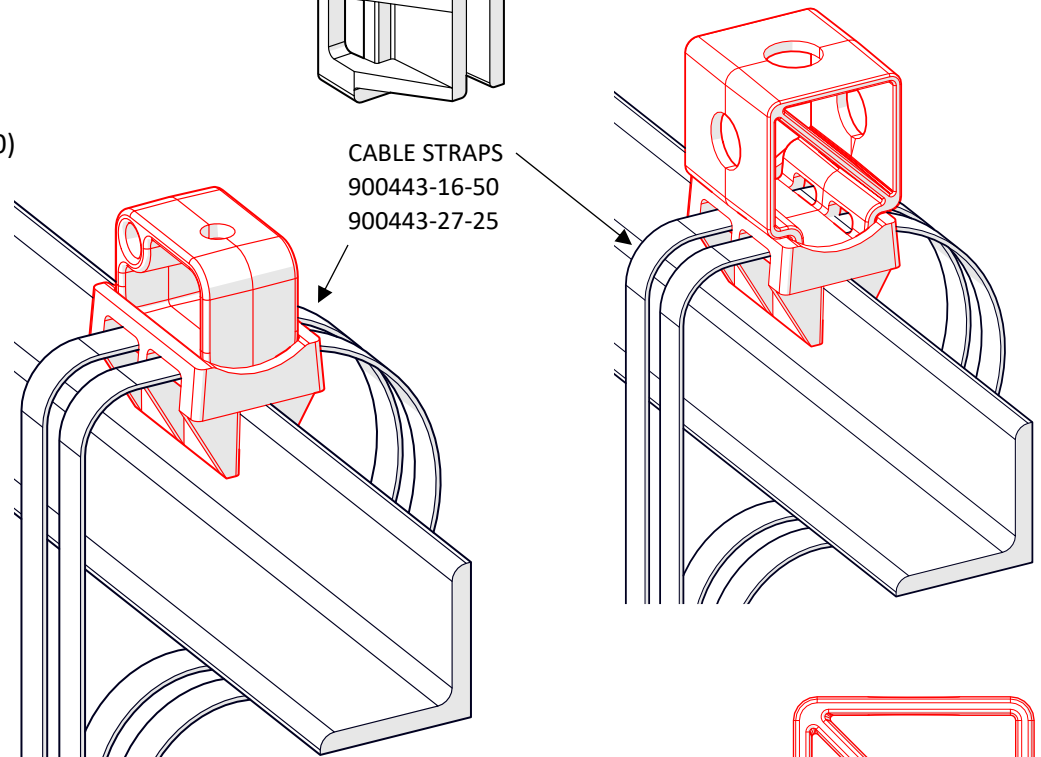
STEP 1

Install Adapter (900712-10 or 900713-10) into Universal Base.



STEP 2

Pass Cable Straps (900443-16-50) through Adapter and Universal Base, around angle, and back through Locking Head.



STEP 3

Use Cable Strap installation tool (900442 or equivalent) to tighten cable straps in position shown and flush cut to Locking Head.

