

900638-10: PIM Shield Universal Base, Round Member Adapter (Sold in packages of 10)

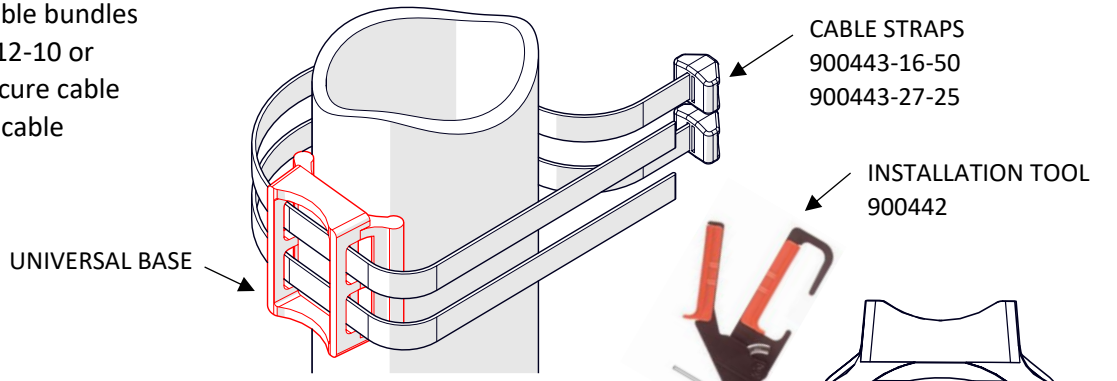
June 2022

The round member adapter can be used by itself to secure cable bundles or can be used with 900712-10 or 900713-10 adapters to secure cable support blocks or snap-in cable hangers.

Cable Bundles

STEP 1

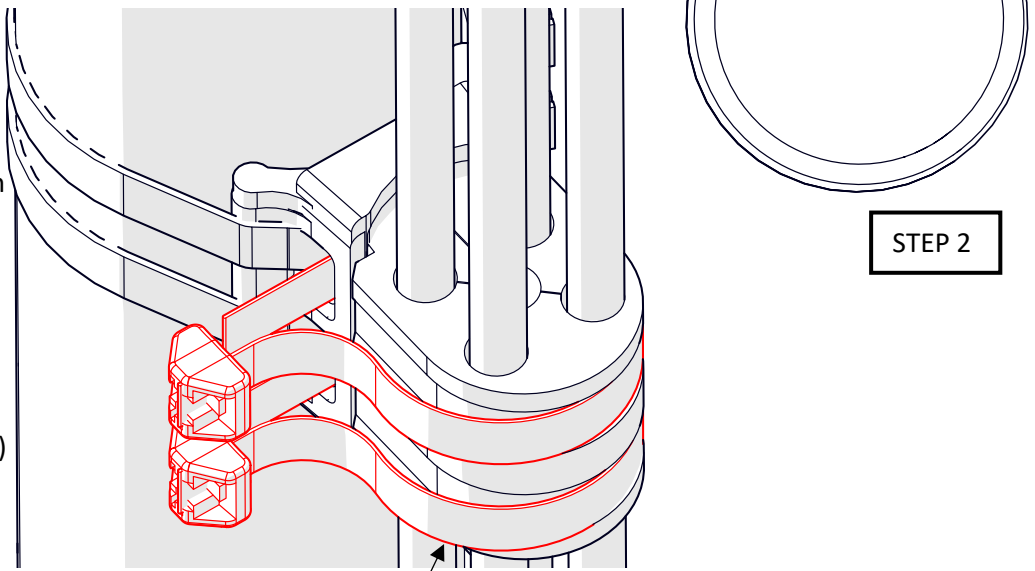
Pass appropriate length of PIM Shield Cable Straps through Universal Base, around pipe, and back through Locking Head.



STEP 1

STEP 2

Use Cable Strap installation tool (900442 or equivalent) to tighten cable strap in position shown and flush cut tail to Locking Head.



STEP 2

STEP 3

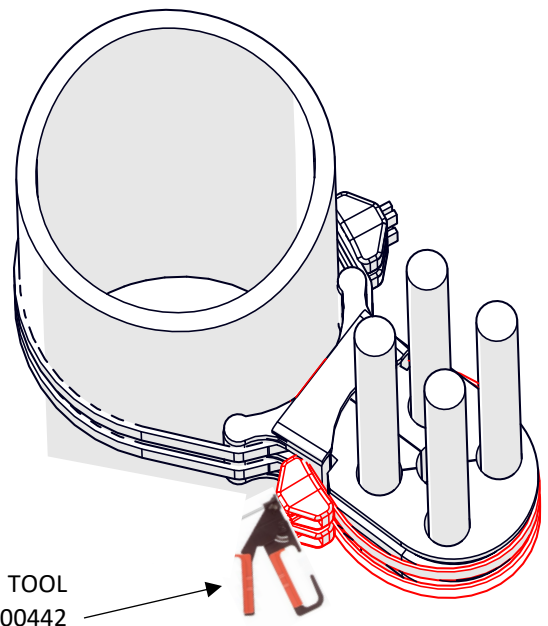
Pass Cable Straps (900443-16-50) through Universal Base, around cable bushing/bundle, and back through Locking Head.

STEP 3

CABLE STRAPS
900443-16-50
900443-27-25

STEP 4

Use Cable Strap installation tool (900442 or equivalent) to tighten cable straps in position shown and flush cut to Locking Head.



STEP 4

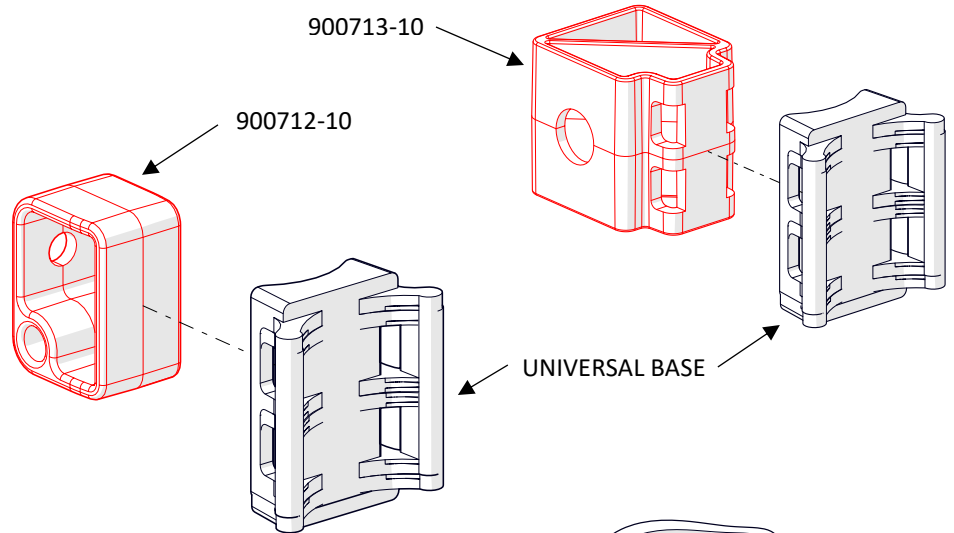
INSTALLATION TOOL
900442

Adapters (see reverse)

Adapters

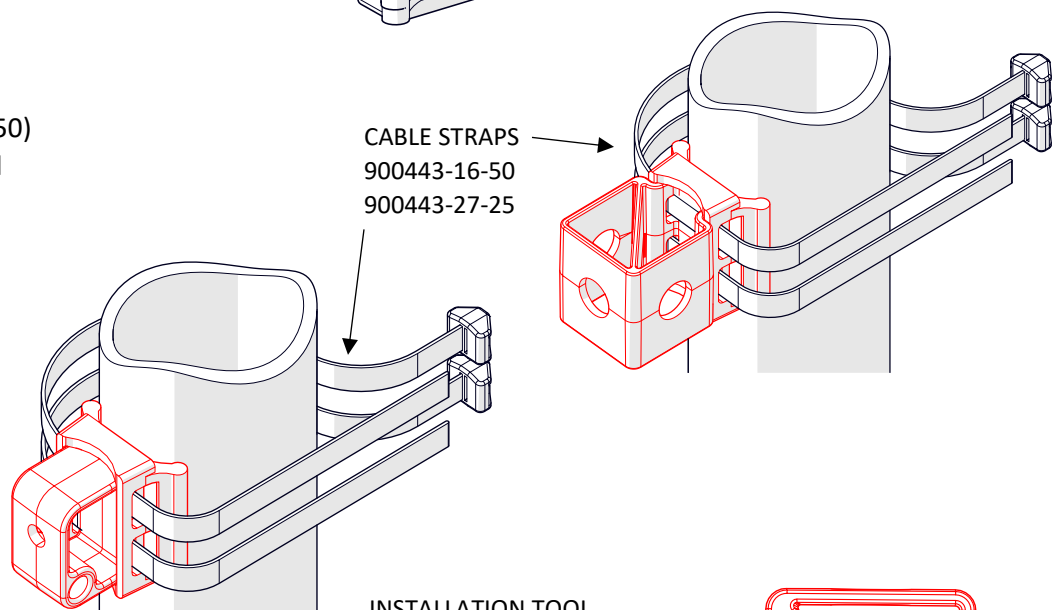
STEP 1

Install Adapter (900712-10 or 900713-10) into Universal Base.



STEP 2

Pass Cable Straps (900443-16-50) through Adapter and Universal Base, around pipe, and back through Locking Head.



STEP 3

Use Cable Strap installation tool (900442 or equivalent) to tighten cable straps in position shown and flush cut to Locking Head.

