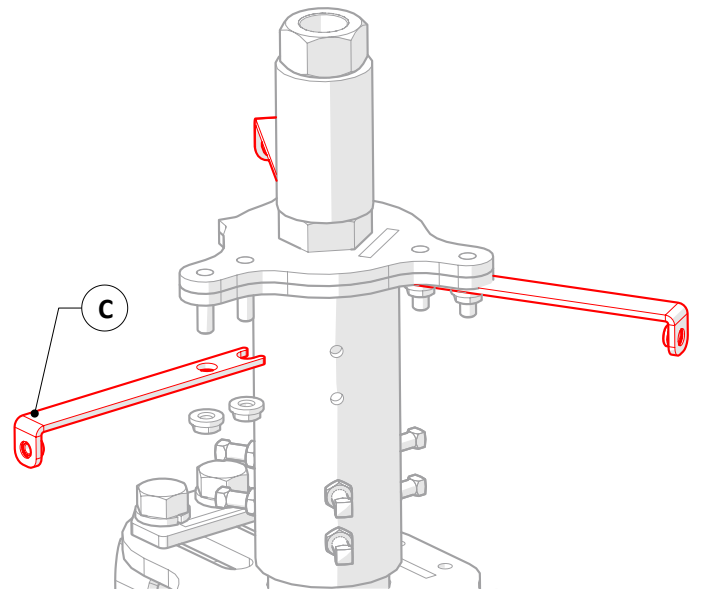
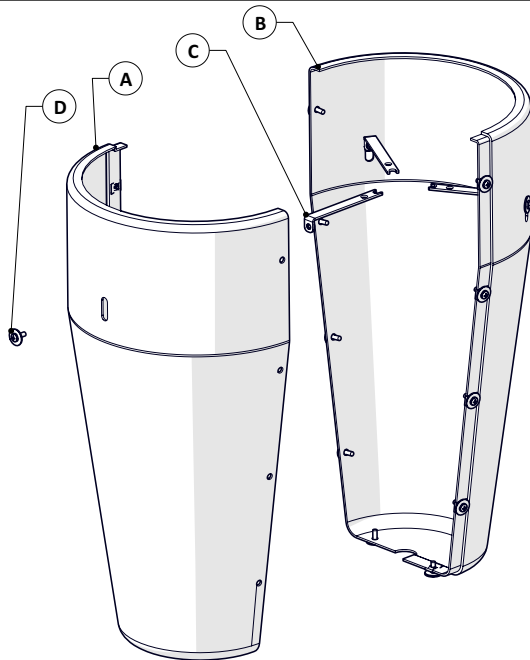


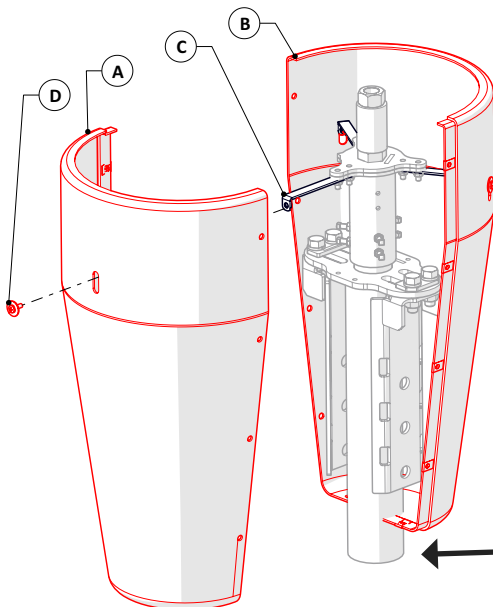
ITEM	QTY	DESCRIPTION	PART NO.	PKG'D
A	1	SHROUD HALF, SINGLE HOLE	116615	
B	1	SHROUD HALF, DOUBLE HOLE	116620	
C	3	SHROUD ARM	102142	
D	13	WASHER, SEALING, 1/4", 18-8 SS, 1" O.D., PHMS, 1/4"-20 X 3/4" LG, 18-8 SS	100345	
E	1	CORROSION RESISTANT ANTISEIZE, NICKEL, VIBRA-TITE, 90722	002954	

Note: Stainless steel hardware to have antiseize lubricant applied.



Note: Antenna sleeve and mount sold separately.

Note: Use slot to adjust vertical position of shroud to match flush with antenna after installation.



Note: Trim shroud to fit pole.

