

Installation Instructions

900588 – PIM Shield Rail Cross Kit

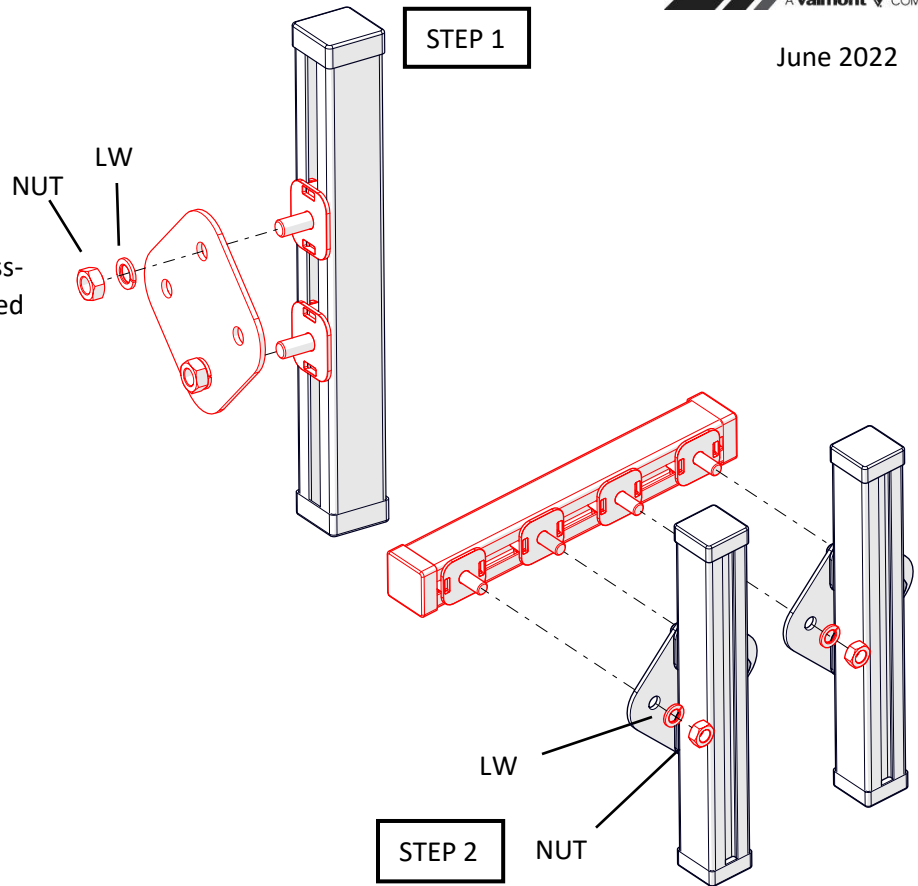
STEP 1

Insert 2X stainless steel channel runner assemblies in each vertical rail. Install cross-over plates and secure hand tight at desired locations using hardware as shown.

STEP 2

Install 4X stainless steel channel runner assemblies into the horizontal rail. Insert channel runners into holes in cross-over plates and secure hand tight.

Torque: 15 Ft-lb all connections
(ConcealFab Tool PN: 900412)



Installation Instructions

900588 – PIM Shield Rail Cross Kit

STEP 1

Insert 2X stainless steel channel runner assemblies in each vertical rail. Install cross-over plates and secure hand tight at desired locations using hardware as shown.

STEP 2

Install 4X stainless steel channel runner assemblies into the horizontal rail. Insert channel runners into holes in cross-over plates and secure hand tight.

Torque: 15 Ft-lb all connections
(ConcealFab Tool PN: 900412)

