

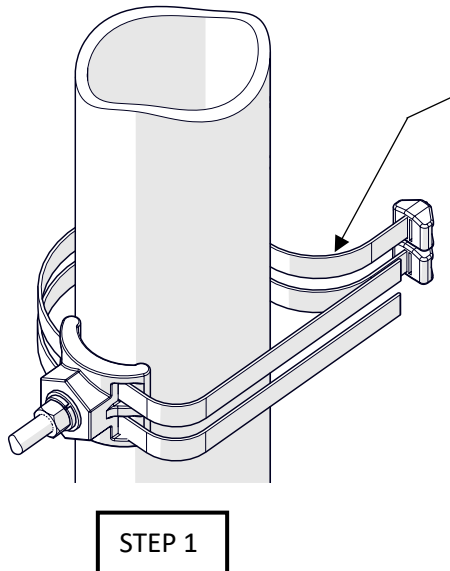
Installation Instructions

900443-16-50 – PIM Shield Cable Strap, Acetal, 1/2" x 16", Qty. 50 (Locking Head Included)

900443-27-25 – PIM Shield Cable Strap, Acetal, 1/2" x 27", Qty. 25 (Locking Head Included)

STEP 1

Pass appropriate length of PIM Shield Cable Straps through Low PIM Cable Support Base, around pipe, and back through Locking Head.

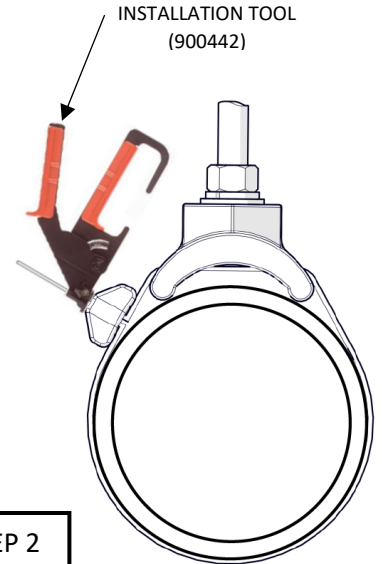


CABLE STRAPS
900443-16-50 OR
900443-27-25

STEP 1

STEP 2

Use Cable Strap installation tool (900442 or equivalent) to tighten Cable Strap in position shown and flush-cut tail to Locking Head.



STEP 2

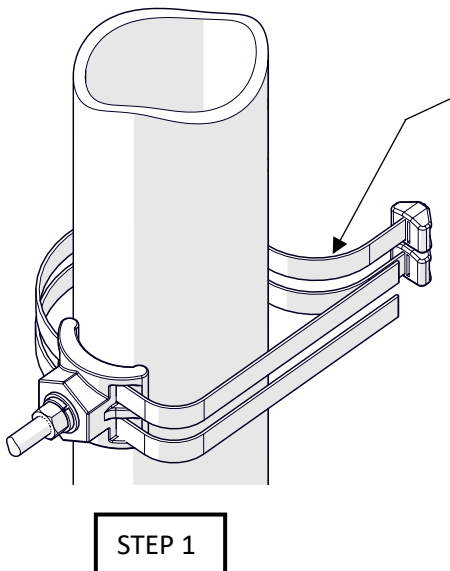
Installation Instructions

900443-16-50 – PIM Shield Cable Strap, Acetal, 1/2" x 16", Qty. 50 (Locking Head Included)

900443-27-25 – PIM Shield Cable Strap, Acetal, 1/2" x 27", Qty. 25 (Locking Head Included)

STEP 1

Pass appropriate length of PIM Shield Cable Straps through Low PIM Cable Support Base, around pipe, and back through Locking Head.

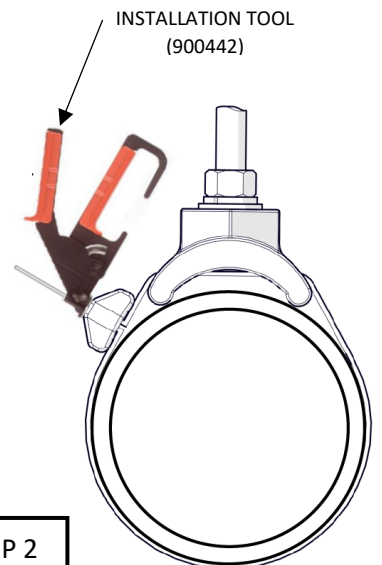


CABLE STRAPS
900443-16-50 OR
900443-27-25

STEP 1

STEP 2

Use Cable Strap installation tool (900442 or equivalent) to tighten Cable Strap in position shown and flush-cut tail to Locking Head.



STEP 2