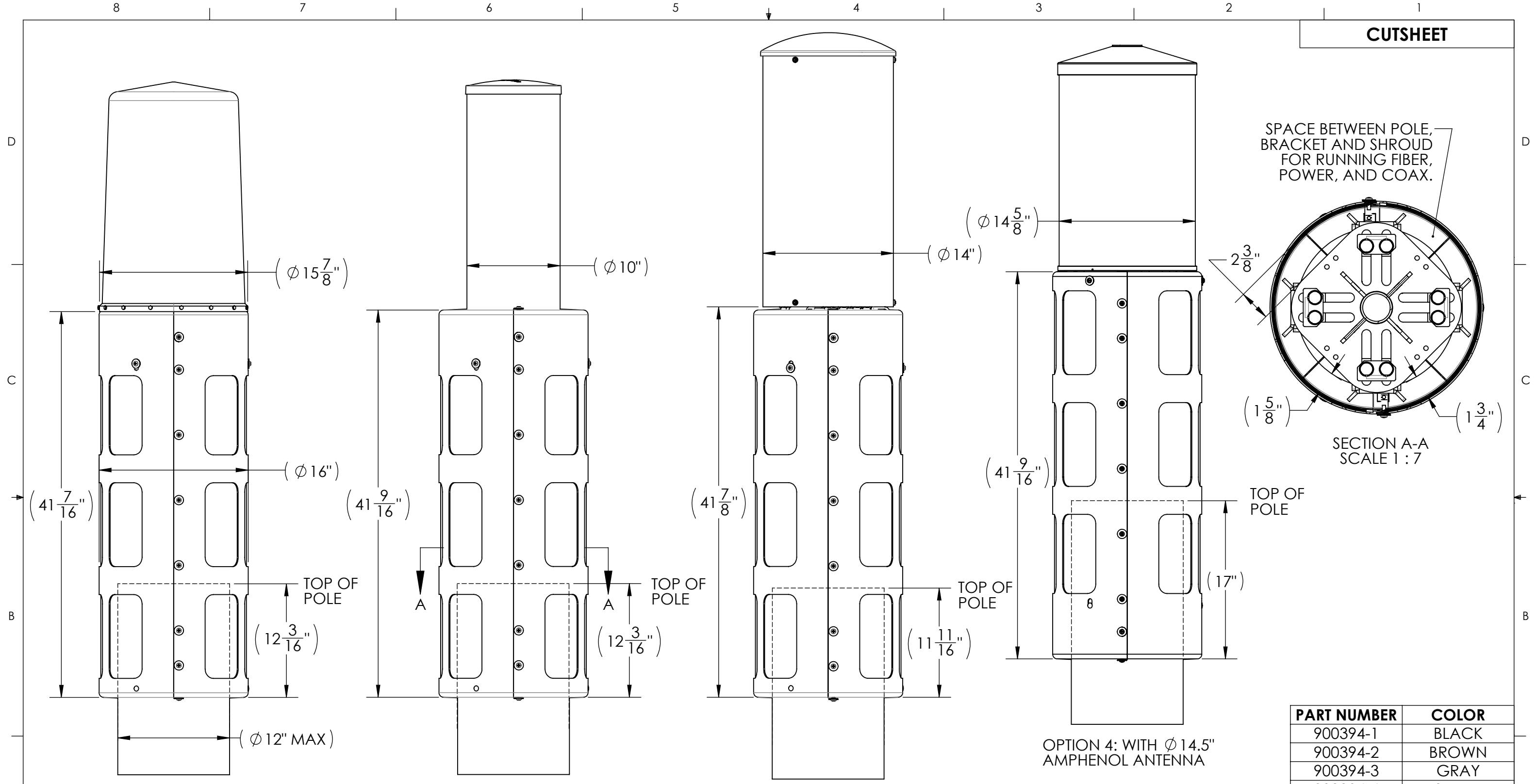


CUTSHEET

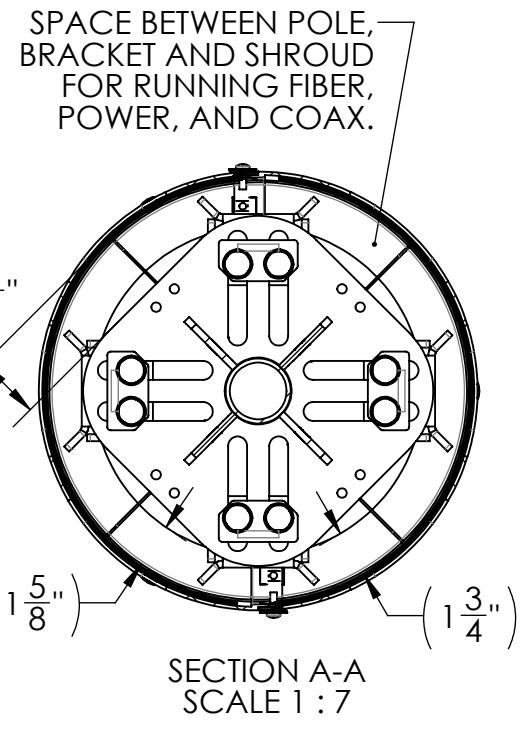


OPTION 1: WITH ϕ 16" KATHREIN ANTENNA

OPTION 2: WITH ϕ 10" GALTRONICS ANTENNA

OPTION 3: WITH JMA CX SERIES ANTENNA

OPTION 4: WITH ϕ 14.5" AMPHENOL ANTENNA



PART NUMBER	COLOR
900394-1	BLACK
900394-2	BROWN
900394-3	GRAY
900394-4	SILVER

APPROXIMATE WEIGHT	70.75 LBS
--------------------	-----------

ConcealFab Corporation
 10205 FEDERAL DRIVE
 COLORADO SPRINGS, CO 80908
 PH: 719-599-3400 FX: 719-599-0057
 SALES@CONCEALFAB.COM

PROPRIETARY INFORMATION
 USE, REPRODUCTION, OR DISCLOSURE IS SUBJECT TO RESTRICTIONS SET FORTH IN NON-DISCLOSURE AGREEMENTS AND PERTINENT CONTRACTUAL DOCUMENTS.
 © 2017 ConcealFab Corp - All Rights Reserved

DO NOT SCALE DWG

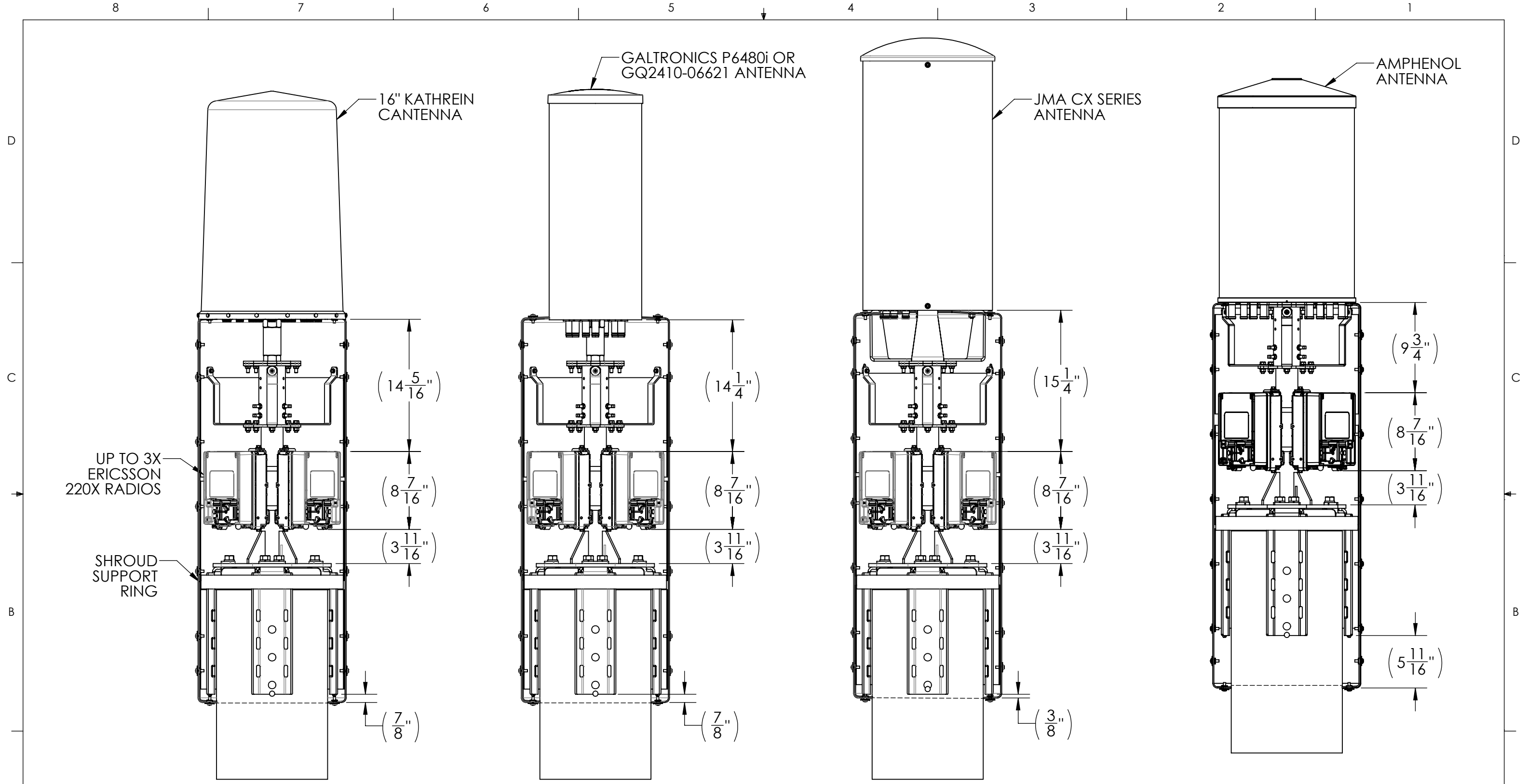
DIMENSIONS ARE IN INCHES

MODELED BY:	ALB	DATE:	04/17/20
DRAWN BY:	ALB	DATE:	04/17/20
CHECKED BY:	JAM	DATE:	04/20/20

TITLE: WIDE DIAMETER POLE TOP MOUNT WITH RADIO MOUNTING

SCALE: 1:10 SHEET SIZE: B SHEET: 1 OF 2

SALES NUMBER: **900394-F**



10205 FEDERAL DRIVE
 COLORADO SPRINGS, CO 80908
 PH: 719-599-3400 FX: 719-599-0057
 SALES@CONCEALFAB.COM

PROPRIETARY INFORMATION
 USE, REPRODUCTION, OR DISCLOSURE
 IS SUBJECT TO RESTRICTIONS SET FORTH
 IN NON-DISCLOSURE AGREEMENTS AND
 PERTINENT CONTRACTUAL DOCUMENTS.
 © 2017 ConcealFab Corp - All Rights Reserved

DO NOT SCALE DWG

DIMENSIONS ARE IN INCHES

	NAME:	DATE:
MODELED BY:	ALB	04/17/20
DRAWN BY:	ALB	04/17/20
CHECKED BY:	JAM	04/20/20

TITLE:
 WIDE DIAMETER POLE TOP
 MOUNT WITH RADIO
 MOUNTING

SCALE:	SHEET SIZE:	SHEET:
1:10	B	2 OF 2

SALES NUMBER:
900394-F