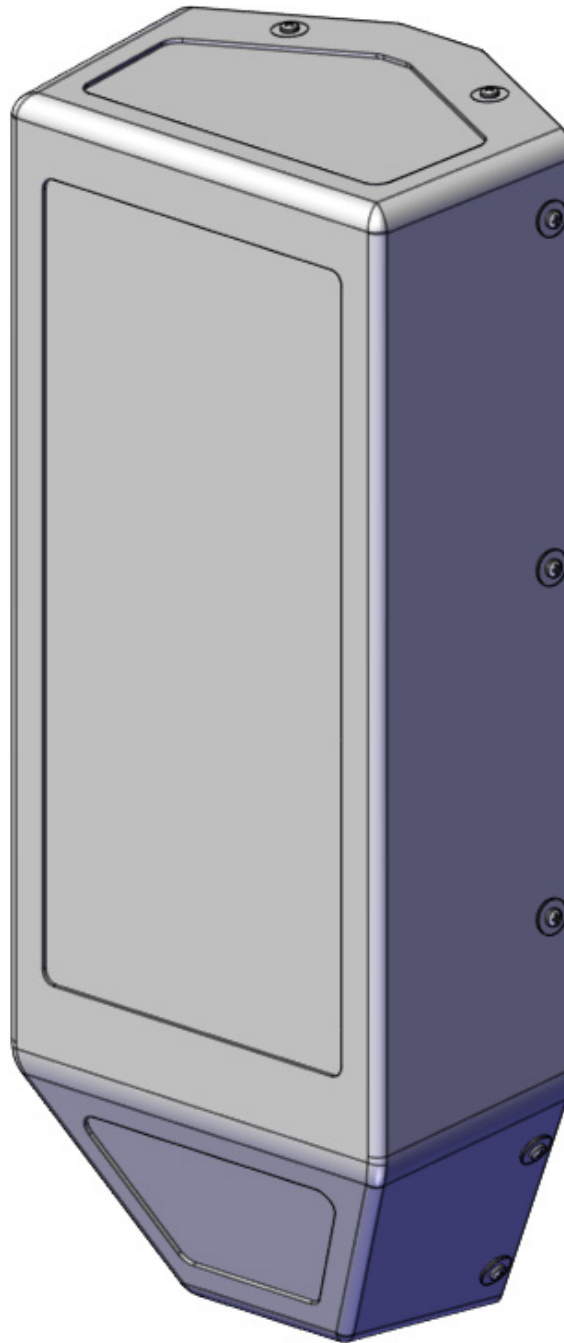


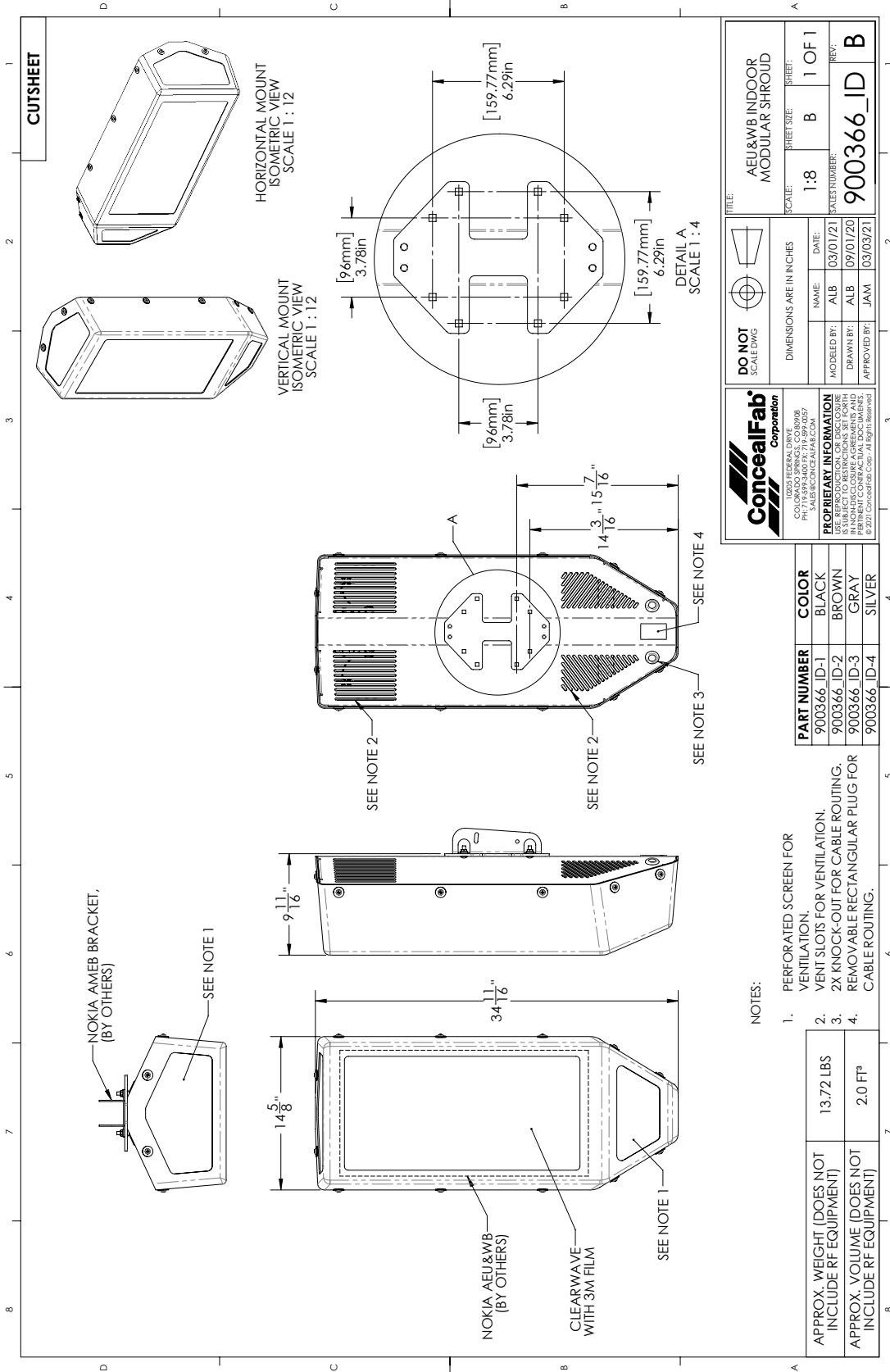
900366_ID AEU&WB Indoor Modular Shroud



CONTENTS

SPECIFICATIONS	3
SUPPLIED PARTS & HARDWARE	4
RECOMMENDED TOOLS	6
ASSEMBLY	6

SPECIFICATIONS



DO NOT SCALE DWG

ConcealFab Corporation
1000 FEDERAL DRIVE
COLORADO SPRINGS, CO 80908
PH: 719.578.8800
SALES@CONCEALFAB.COM

PROPERTY INFORMATION
USE, REPRODUCTION, OR DISCLOSURE
WITHOUT THE WRITTEN PERMISSION OF
CONCEALFAB CORPORATION IS STRICTLY
PROHIBITED. CONTRACTUAL DOCUMENTS,
© 2011 ConcealFab Corp. All rights reserved.

CONCEALFAB CORPORATION

TITLE: AEU&WB INDOOR MODULAR SHROUD

SCALE: 1:8

SHEET SIZE: B

SHEET NO: 1 OF 1

DATE: 03/01/21

MODELED BY: ALB

DRAWN BY: ALB

APPROVED BY: JAM

SCALE NUMBER: 900366_ID

REV: B

PART NUMBER	COLOR
900366_ID-1	BLACK
900366_ID-2	BROWN
900366_ID-3	GRAY
900366_ID-4	SILVER

NOTES:

- PERFORATED SCREEN FOR VENTILATION.
- VENT SLOTS FOR CABLE ROUTING.
- 2X KNOCK-OUT FOR CABLE ROUTING.
- REMOVABLE RECTANGULAR PLUG FOR CABLE ROUTING.

APPROX. WEIGHT (DOES NOT INCLUDE RF EQUIPMENT)	13.72 LBS
APPROX. VOLUME (DOES NOT INCLUDE RF EQUIPMENT)	2.0 FT³

SUPPLIED PARTS & HARDWARE

	ITEM	QTY	DESCRIPTION	PART NO.	PKG'D
	A	1	AEU&WB FAN KIT	124831	
	B	1	KIT, AEU&WB FAN KIT HARDWARE	125893	
	B1	4	HHCS, M5 X 0.8MM X 15MM LG, 18-8 SS	011103	
	C	2	NOKIA AEUB BRACKET	124767	
	D	1	KIT, ASOD RADIO MOUNTING HARDWARE	116095	
	D1	4	HHCS, M8 X 1.25MM X 25MM LG, FT, 18-8 SS	114999	
	D2	4	WASHER, SPLIT LOCK, M8, 18-8 SS	001634	
	D3	4	WASHER, FLAT, M8, 18-8 SS	006076	
	E	1	5G BRACKET ATTACHMENT	124763	
	F	1	KIT, NOKIA OEM BRACKET HARDWARE	128957	
	F1	4	CABT, 5/16"-18 X 1" LG, FT, 18-8 SS	127059	

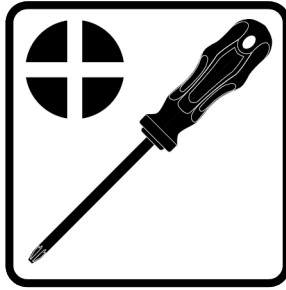
	F2	4	NUT, SERRATED FLANGE, 5/16"-18, 18-8 SS	119250	
	G	1	BACK PAN	124765	
	H	1	KIT, 5G BACK PAN HARDWARE	125824	
	H1	4	NUT, SERRATED FLANGE, 5/16"-18, 18-8 SS	119250	
	H2	2	GROMMET, FOR 1" X 1/8" THK HOLE, 1/16" ID, RUBBER	116848	
	J	1	PLUG, 2-1/2" X 1-1/2"	111539	
	K	1	KIT, NOKIA ASOD BRACKET HARDWARE	116093	
	K1	4	NUT, SERRATED FLANGE, 1/4"-20, 18-8 SS	118507	
	L	1	SHROUD	119565	
	M	12	WASHER, SEALING, 1/4", 18-8 SS, 1" O.D., PHMS, 1/4"-20 X 3/4" LG, 18-8 SS	100345	
	N	1	CORROSION RESISTANT ANTISEIZE, NICKEL, VIBRA-TITE, 90722	002954	

Note: Stainless steel hardware to have antiseize lubricant applied.

RECOMMENDED TOOLS



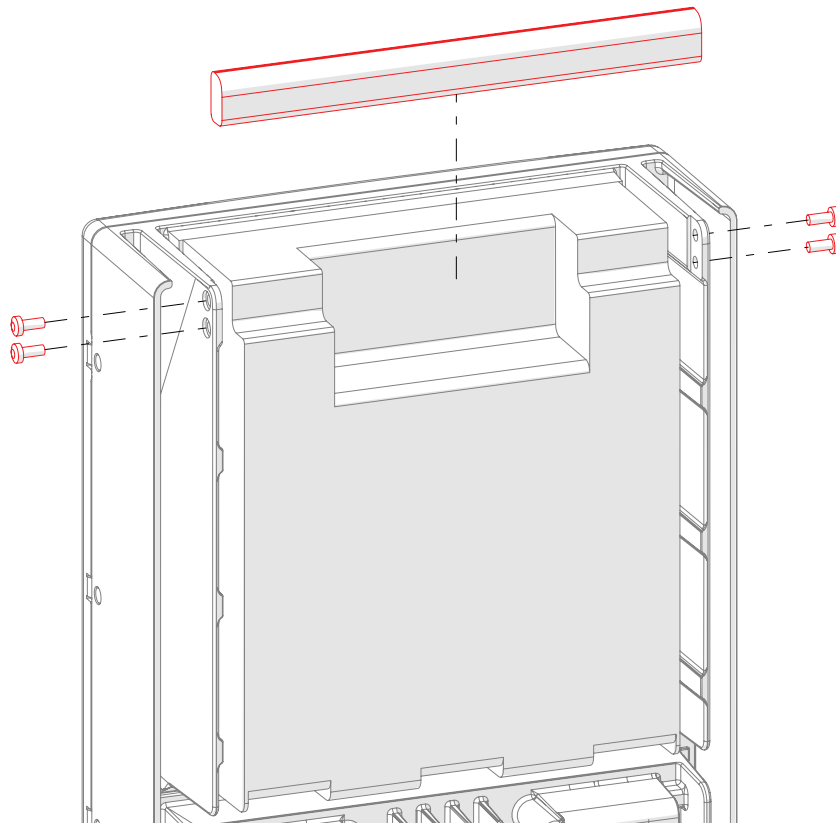
Adjustable Wrench



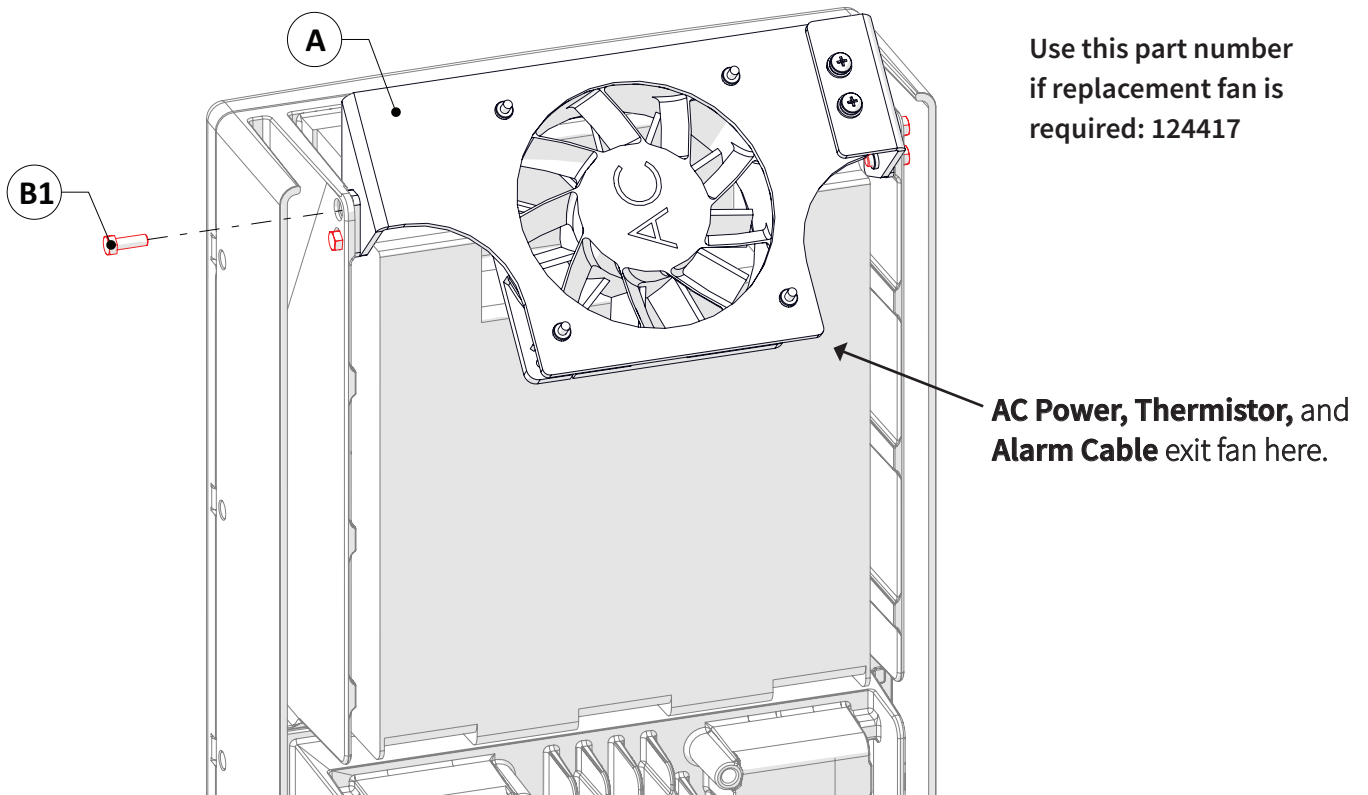
Screwdriver - Phillips

ASSEMBLY

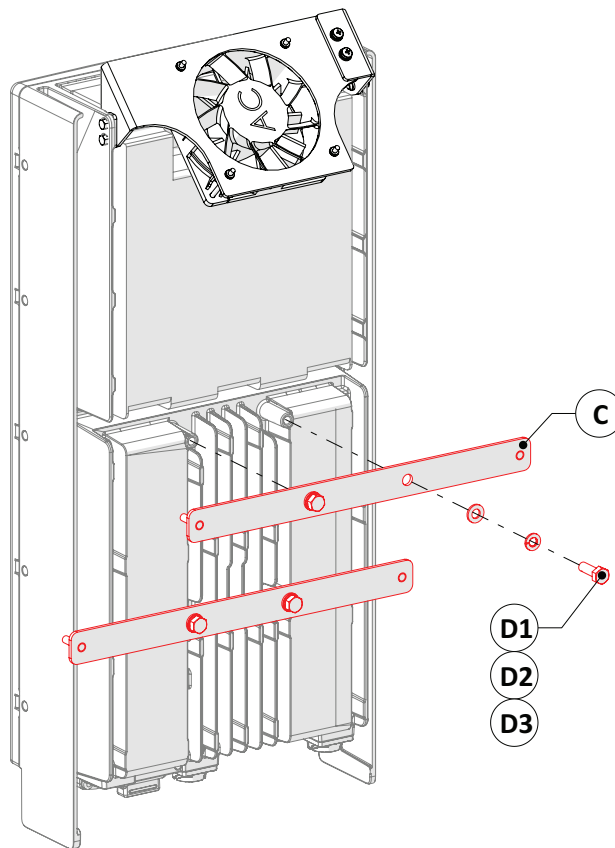
STEP 1: Remove **Nokia AEU&WB Handle and hardware** from **Nokia, AEUB** (supplied by others).



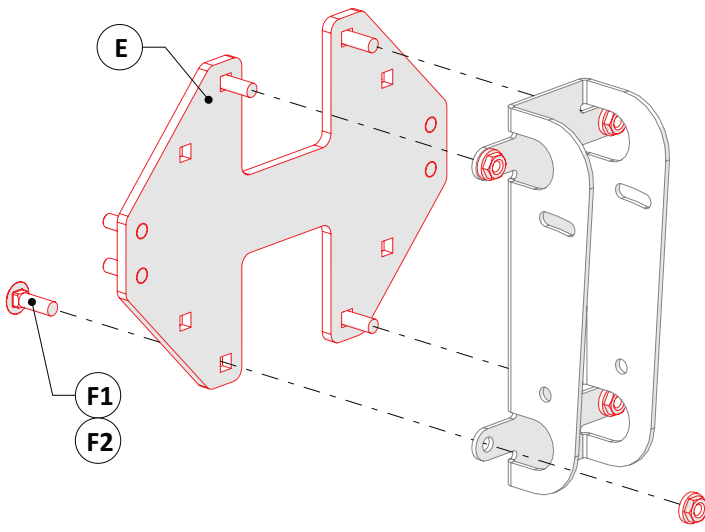
STEP 2: Install **AEU&WB Fan Kit (Item A)** to **Nokia, AEUB**.



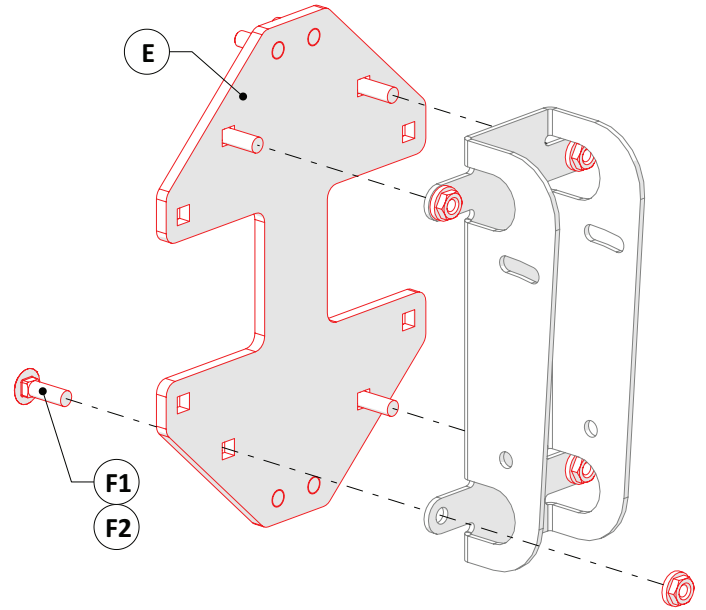
STEP 3: Install **Nokia AEUB Bracket (Item C)** to **Nokia, AEUB**.



STEP 4: Install **5G Bracket Attachment (Item E)** to **Nokia 5G Bent Bracket** (supplied by others).

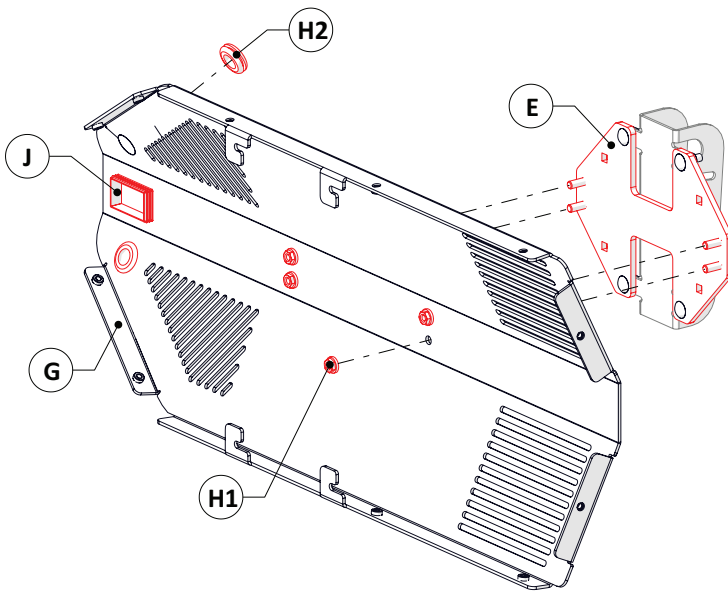


Horizontal Installation

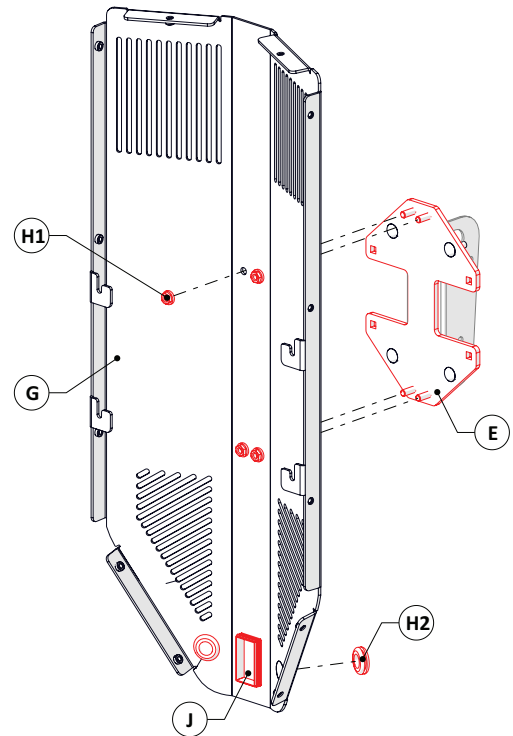


Vertical Installation

STEP 5: Install **Back Pan (Item G)** to **5G Bracket Attachment (Item E)**.

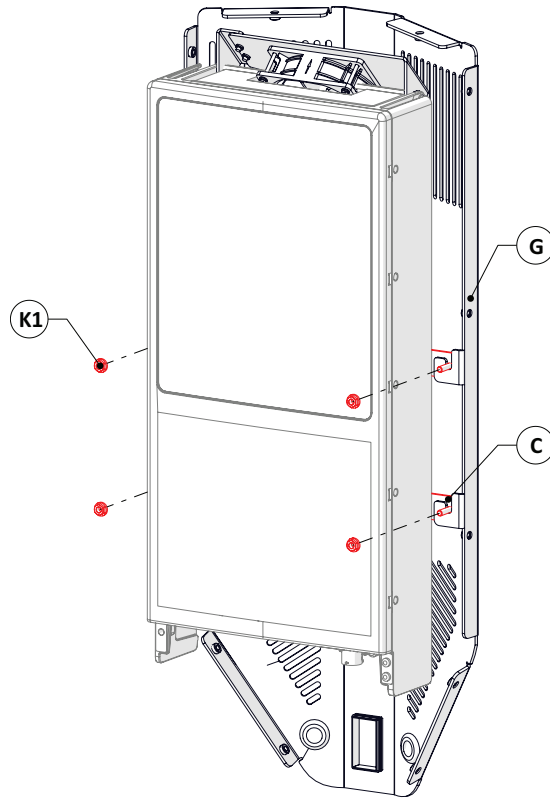


Horizontal Installation



Vertical Installation

STEP 6: Install **Nokia AEUB Bracket (Item C)** to **Back Pan (Item G)**.



STEP 7: Install **Shroud (Item L)**.

