

**Installation Instructions**

900362 – PIM Shield Channel Runner Kit, 3/8, SS

**STEP 1**

Insert SS channel runner kit into rail.

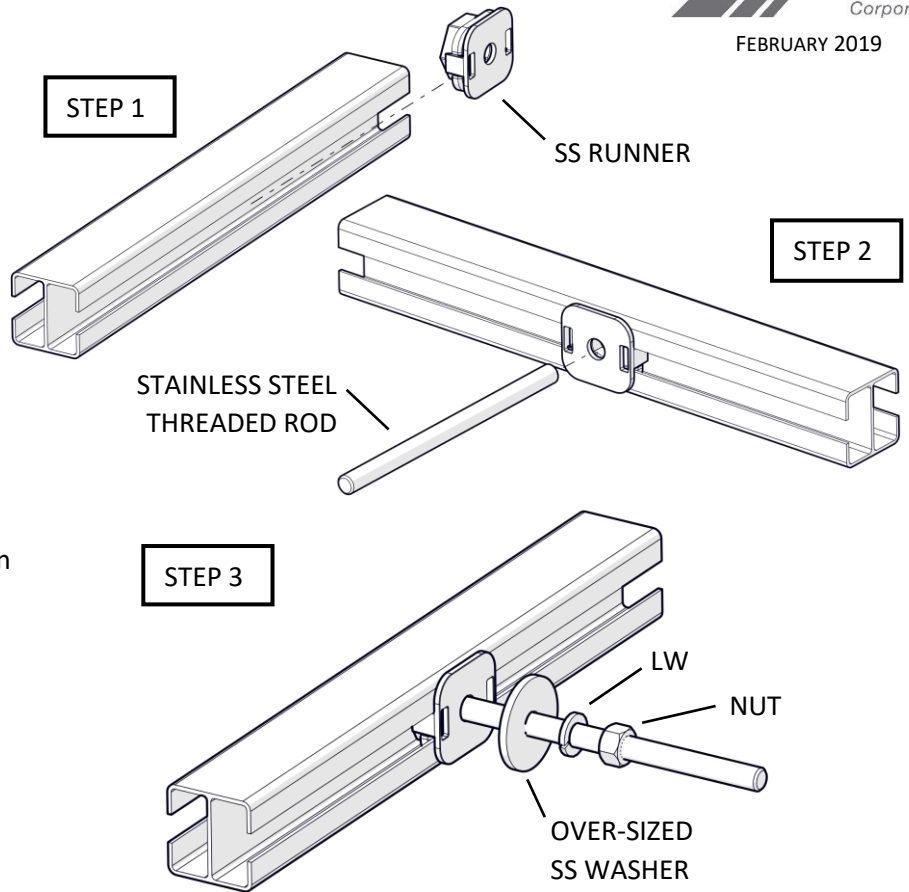
**STEP 2**

Screw 3/8" SS threaded rod into channel runner kit until it bottoms out.

**STEP 3**

Position threaded rod to desired location on rail and install over-sized SS washer, lock washer and nut onto threaded rod.

Torque: 10 Ft-lb  
(ConcealFab Tool PN: 900053)



**Installation Instructions**

900362 – PIM Shield Channel Runner Kit, 3/8, SS

**STEP 1**

Insert SS channel runner kit into rail.

**STEP 2**

Screw 3/8" SS threaded rod into channel runner kit until it bottoms out.

**STEP 3**

Position threaded rod to desired location on rail and install over-sized SS washer, lock washer and nut onto threaded rod.

Torque: 10 Ft-lb  
(ConcealFab Tool PN: 900053)

