

June 2022

Installation Instructions

900361 – PIM Shield Cable Support Rail, Wall Mount Brackets

STEP 1

Insert galvanized channel runner kits into rail.

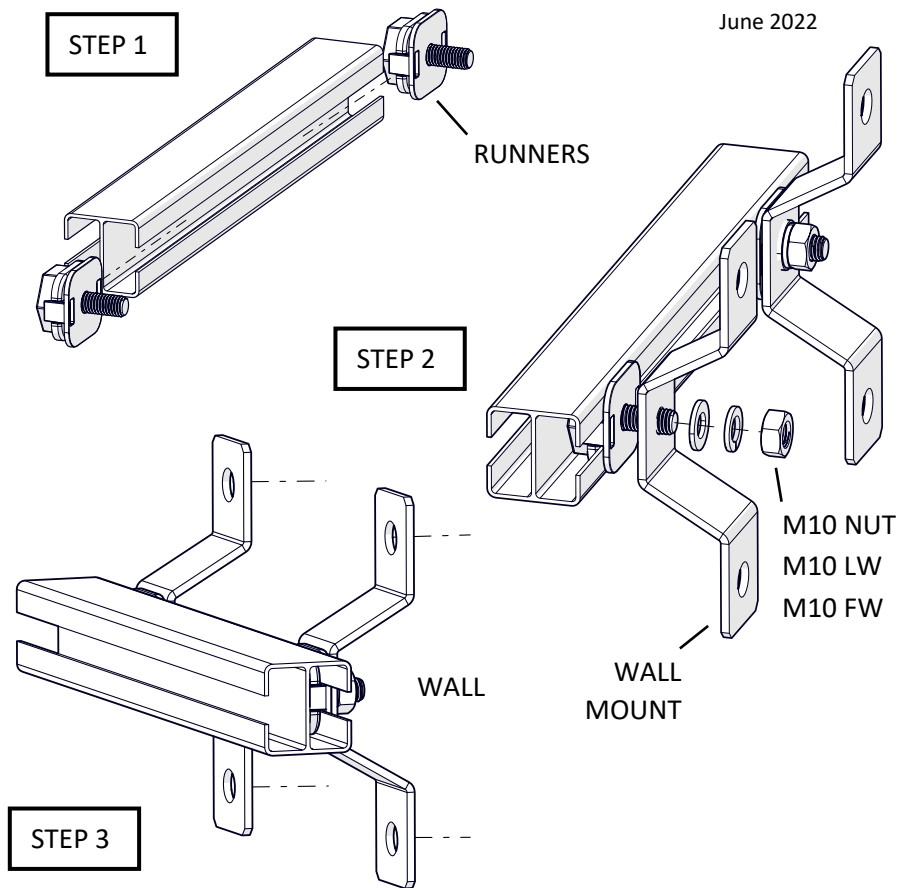
STEP 2

Insert wall mount brackets onto the channel runner hardware and position wall mount brackets to correct separation. Secure M10 hardware to lock wall mount brackets into position. (Torque: 15 Ft-lb, ConcealFab Tool PN: 900412)

STEP 4

Secure wall mount brackets to wall using 1/2" galvanized steel hardware.

NOTE: Customer PE responsible for validating the wall will support the weight of attached cables and that the attachment will provide sufficient pull-out strength.



June 2022

Installation Instructions

900361 – PIM Shield Cable Support Rail, Wall Mount Brackets

STEP 1

Insert galvanized channel runner kits into rail.

STEP 2

Insert wall mount brackets onto the channel runner hardware and position wall mount brackets to correct separation. Secure M10 hardware to lock wall mount brackets into position. (Torque: 15 Ft-lb, ConcealFab Tool PN: 900412)

STEP 4

Secure wall mount brackets to wall using 1/2" galvanized steel hardware.

NOTE: Customer PE responsible for validating the wall will support the weight of attached cables and that the attachment will provide sufficient pull-out strength.

