

Installation Instructions

900358 – PIM Shield Saddle Bracket With Tabs

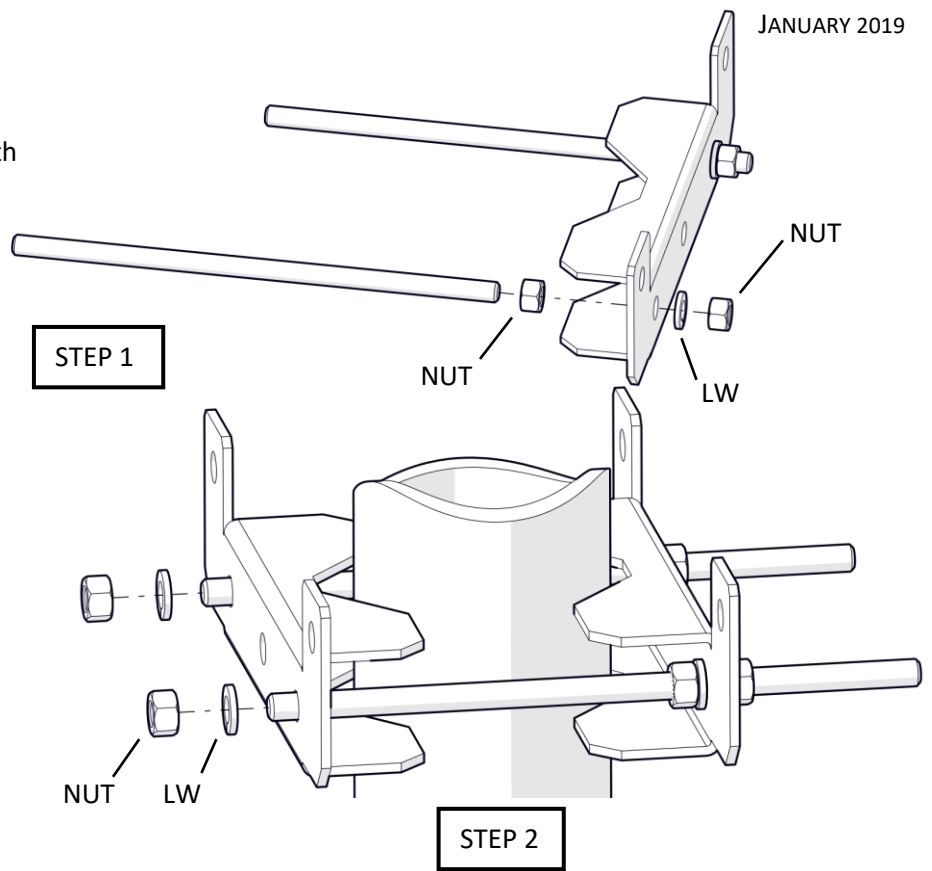
STEP 1

Attach threaded rods to saddle bracket.

STEP 2

Attach saddle brackets to pole.

Torque: 10 Ft-lb all connections
(ConcealFab Tool PN: 900053)



Installation Instructions

900358 – PIM Shield Saddle Bracket With Tabs

STEP 1

Attach threaded rods to saddle bracket.

STEP 2

Attach saddle brackets to pole.

Torque: 10 Ft-lb all connections
(ConcealFab Tool PN: 900053)

