

Installation Instructions

900355 – PIM Cable Support Bar, Extra Bar Kit, 22 Position

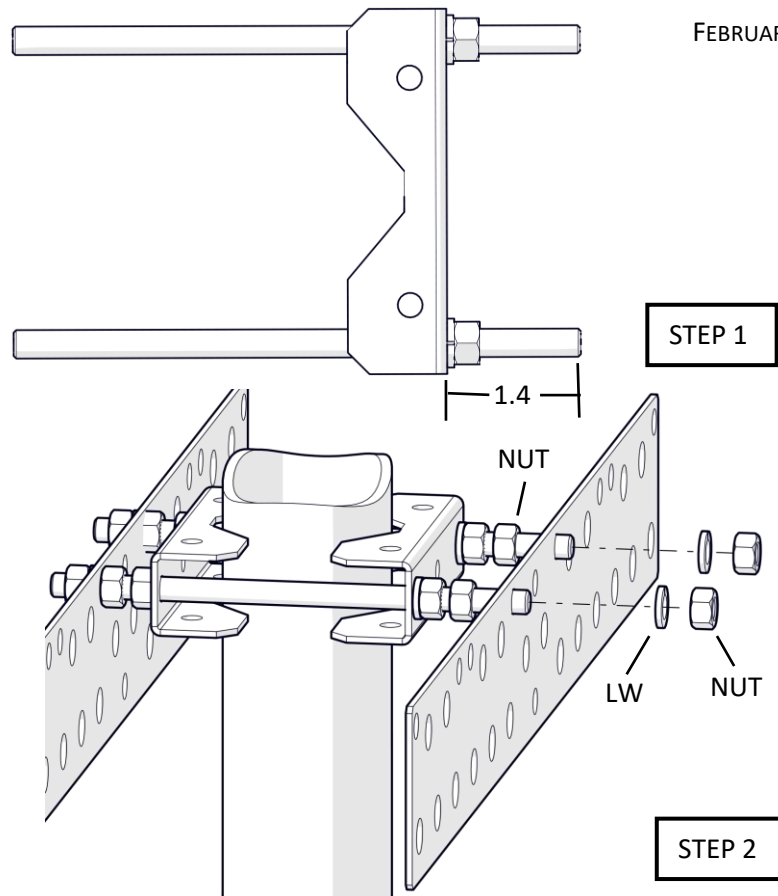
STEP 1

Install Pole Mount Kit (not included) in accordance with 900352 or 900353 instructions. Be sure to leave a minimum of 1.4 inches of threaded rod extending from saddle bracket. (Torque greater than 20 Ft-lb)

STEP 2

Install Extra Bar Kit to threaded rods.

Torque: 20 Ft-lb all connections
(ConcealFab Tool PN: 900413)



Installation Instructions

900355 – PIM Cable Support Bar, Extra Bar Kit, 22 Position

STEP 1

Install Pole Mount Kit (not included) in accordance with 900352 or 900353 instructions. Be sure to leave a minimum of 1.4 inches of threaded rod extending from saddle bracket. (Torque greater than 20 Ft-lb)

STEP 2

Install Extra Bar Kit to threaded rods.

Torque: 20 Ft-lb all connections
(ConcealFab Tool PN: 900413)

