

**Installation Instructions**

900353-01 – PIM Cable Support Bar, Pole Mount Kit, 22 Position

900353-02 – PIM Cable Support Bar, Pole Mount Kit, 22 Position, Extended Range

**STEP 1**

Attach threaded rods to bracket, set to correct offset length. (Torque greater than 20 Ft-lb)

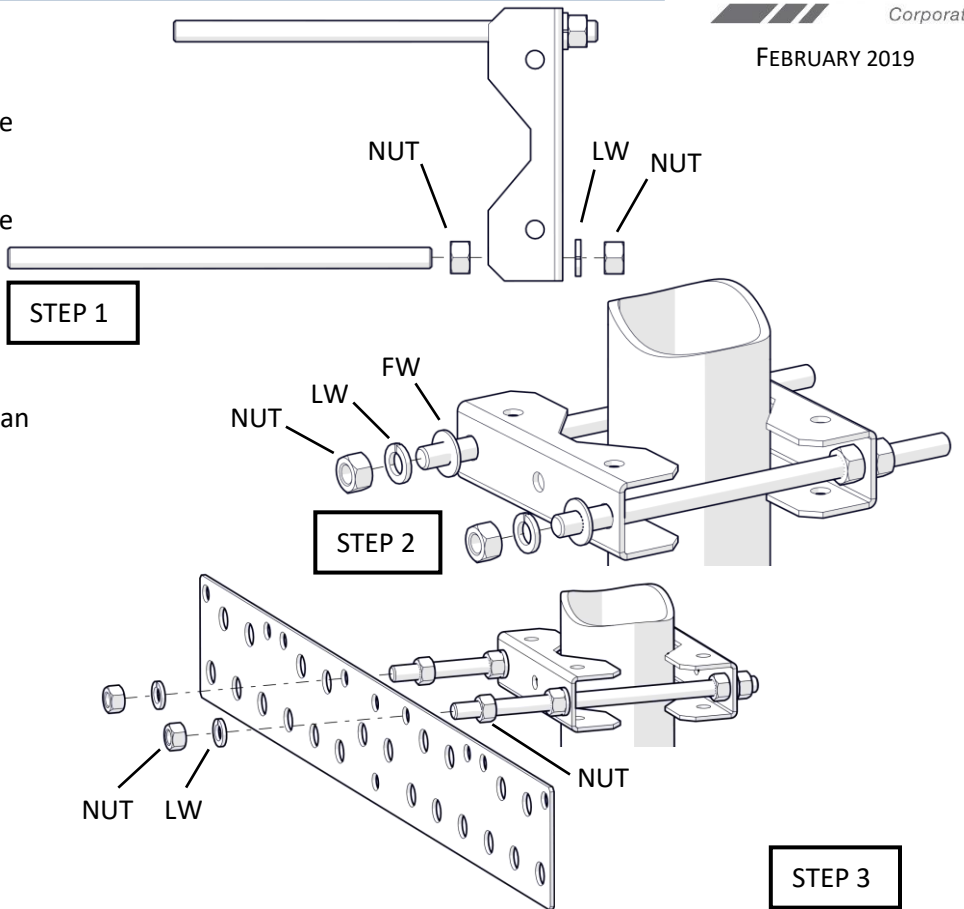
**STEP 2**

Attach saddle brackets to pole.

**STEP 3**

Attach 22 Position Bar to threaded rods.

Torque: 20 Ft-lb all connections  
(ConcealFab Tool PN: 900413)



**Installation Instructions**

900353-01 – PIM Cable Support Bar, Pole Mount Kit, 22 Position

900353-02 – PIM Cable Support Bar, Pole Mount Kit, 22 Position, Extended Range

**STEP 1**

Attach threaded rods to bracket, set to correct offset length. (Torque greater than 20 Ft-lb)

**STEP 2**

Attach saddle brackets to pole.

**STEP 3**

Attach 22 Position Bar to threaded rods.

Torque: 20 Ft-lb all connections  
(ConcealFab Tool PN: 900413)

