

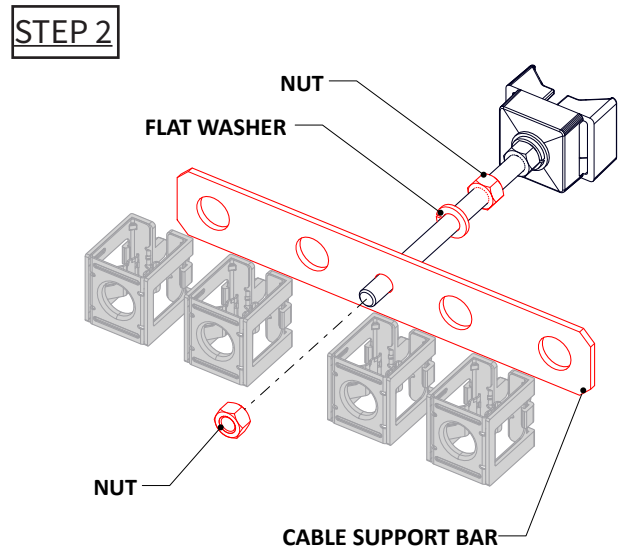
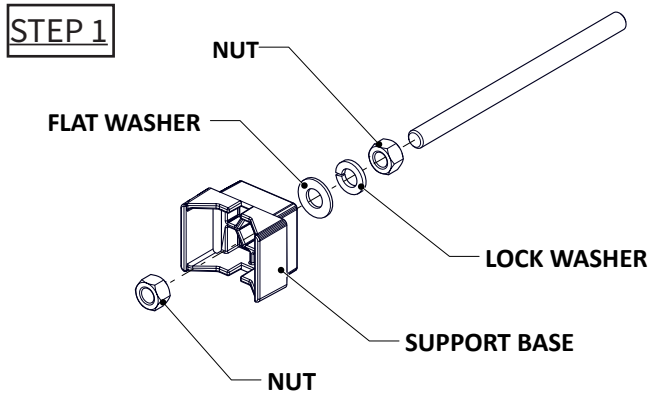
900351-10 PIM Shield Cable Support Bar, 4-Position, SS (Sold in packages of 10)

ConcealFab's Cable Support Bar provides a low-PIM method to secure 4 stacks of Hybrid or Plastic snap-ins at cell sites using ConcealFab's Cable Support base, Cable Support Straps, and stainless-steel Threaded Rod Kits.

(Base, straps, threaded hardware, and low-PIM snap-ins sold separately)

STEP 1: Attach stainless steel Threaded Rod to PIM Shield Cable Support Base (PN: 901143-10)
(Torque hardware to 10 Ft-lb, ConcealFab Tool PN: 900053)

STEP 2: Install Cable Support Bar with hardware as shown (Torque hardware to 10 Ft-lb, ConcealFab Tool PN: 900053)



901210-10	PIM Shield threaded rod kit, SS, 3/8" x 2-in, Qty. 10
900211-10	PIM Shield threaded rod kit, SS, 3/8" x 6-in, Qty. 10
900212-10	PIM Shield threaded rod kit, SS, 3/8" x 8-in, Qty. 10
900381-10	PIM Shield threaded rod kit, SS, 3/8" x 12 in, Qty. 10

STEP 3: Attach assembly to round or angle member at site using appropriate length of PIM Shield Cable Support Strap. Pass straps through Low PIM Cable Support Base, around support, and back through Locking Head.

STEP 4: Use Cable Strap installation tool (PN: 900442 or equivalent) to tighten Cable Strap in position shown and flush-cut tail to Locking Head.

