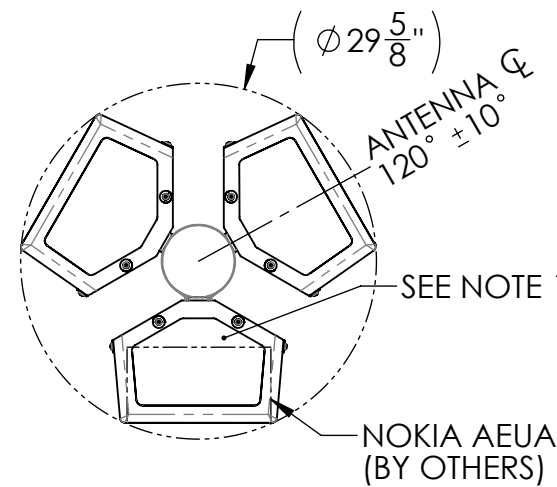
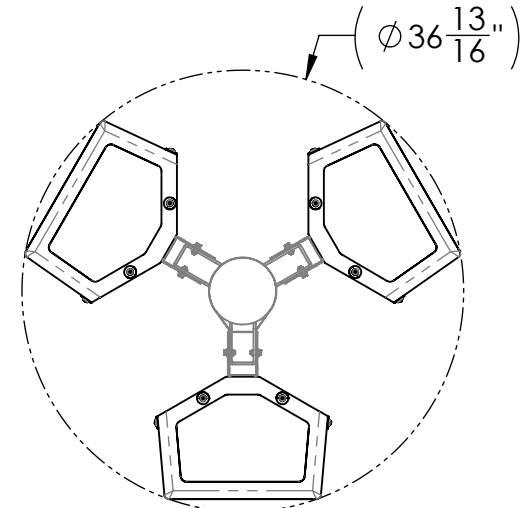


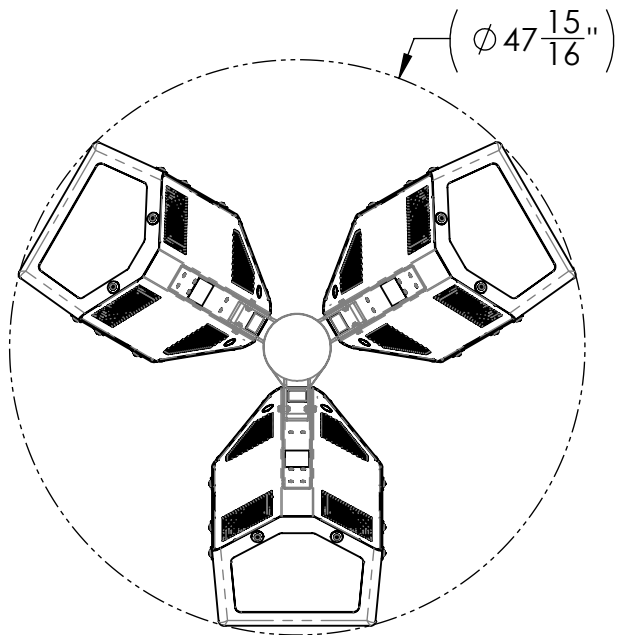
**CUTSHEET**



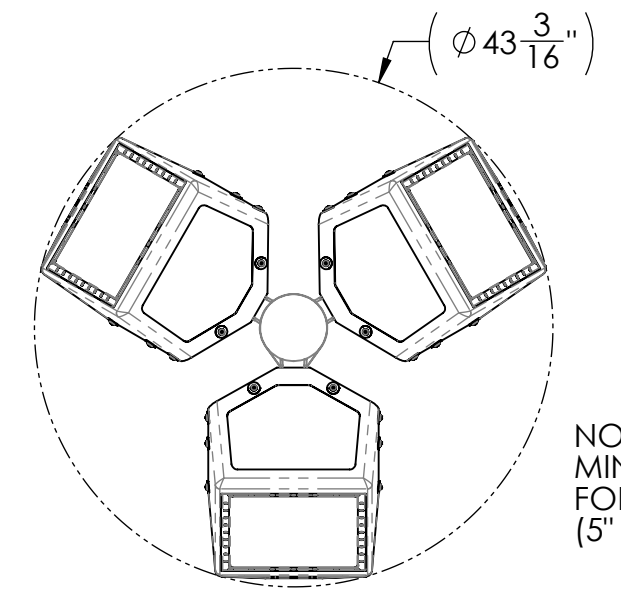
FLUSH POLE MOUNT  
SCALE 1 : 16



TILT BRACKET OPTION  
SCALE 1 : 16

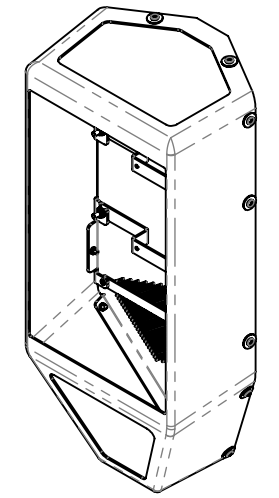


20° DOWN-TILT OPTION  
SCALE 1 : 16

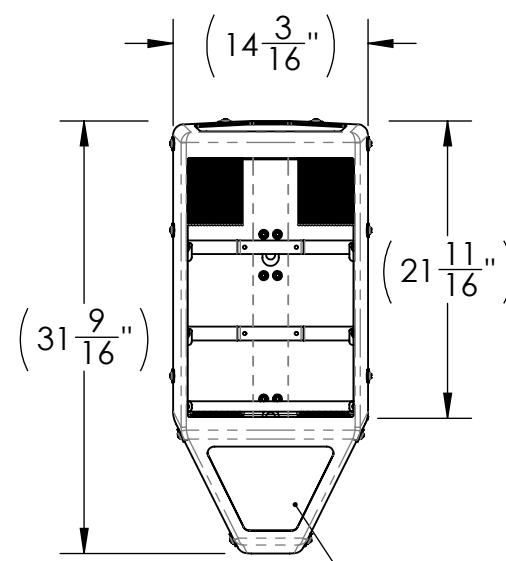


20° UP-TILT OPTION  
SCALE 1 : 16

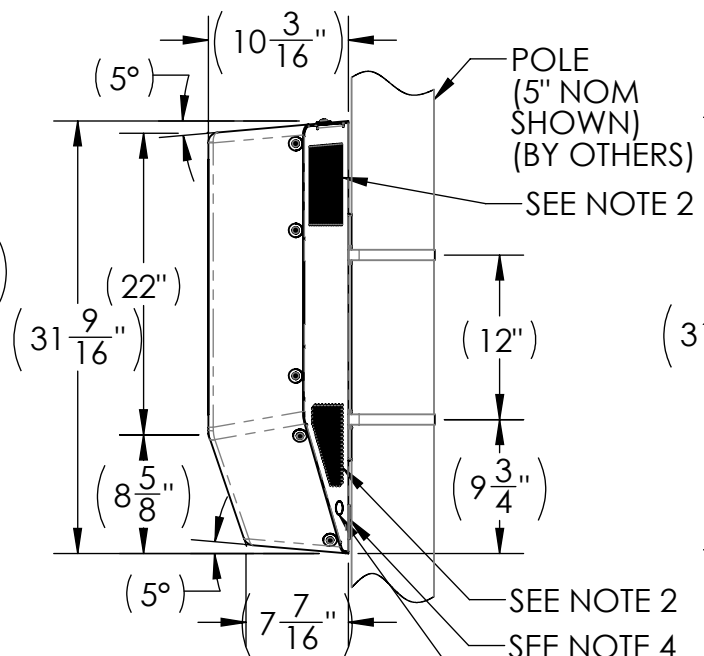
NOTE:  
MINIMUM Ø 3.5" POLE  
FOR (3) RADIOS  
(5" NOM. POLE SHOWN)



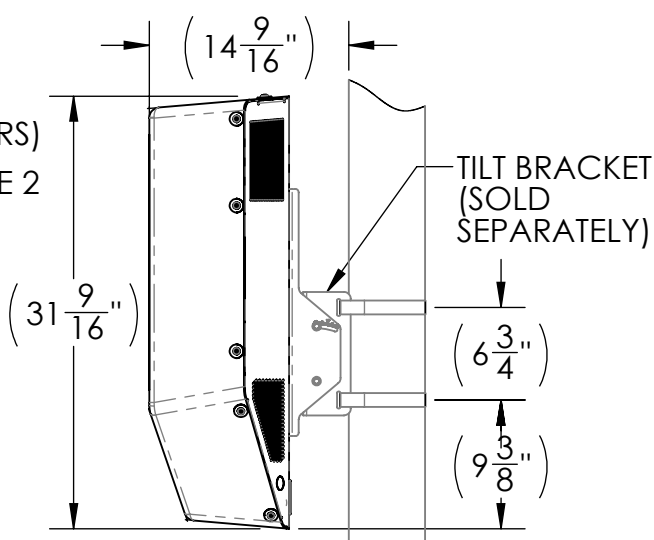
ISOMETRIC VIEW  
SCALE 1 : 12



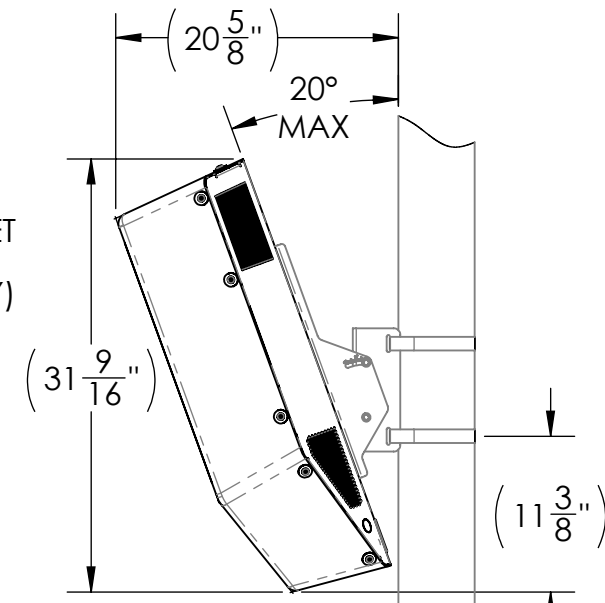
SEE NOTE 1



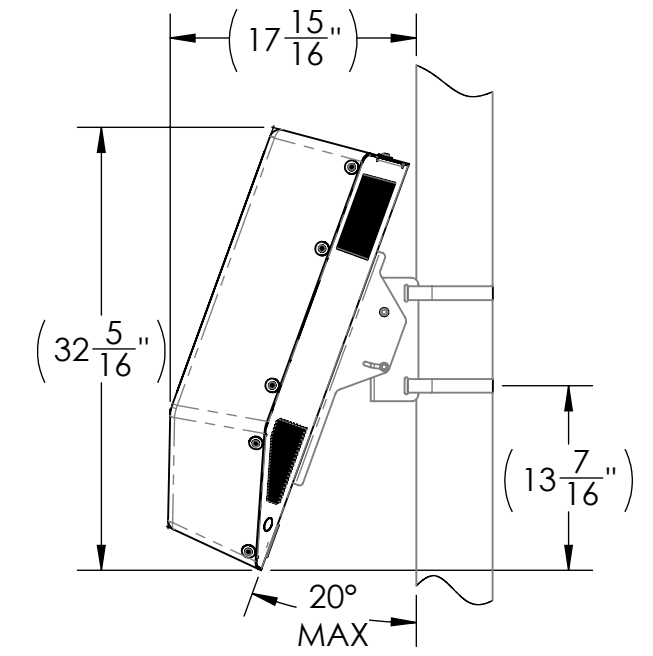
FLUSH POLE MOUNT



TILT BRACKET POLE  
MOUNT OPTION



20° DOWN-TILT OPTION



20° UP-TILT OPTION

**NOTES**

1. PERFORATED SCREEN FOR VENTILATION.
2. VENT SLOTS FOR VENTILATION.
3. 2X KNOCK-OUT FOR CABLE ROUTING.
4. REMOVABLE REGTANGULAR PLUG FOR CABLE ROUTING.

PART NUMBER	COLOR
900256-1	BLACK
900256-2	BROWN
900256-3	GRAY
900256-4	SILVER

**ConcealFab**  
Corporation

10205 FEDERAL DRIVE  
COLORADO SPRINGS, CO 80908  
PH: 719-599-3400 FX: 719-599-0057  
SALES@CONCEALFAB.COM

**PROPRIETARY INFORMATION**  
USE, REPRODUCTION, OR DISCLOSURE  
IS SUBJECT TO RESTRICTIONS SET FORTH  
IN NON-DISCLOSURE AGREEMENTS AND  
PERTINENT CONTRACTUAL DOCUMENTS.  
© 2017 ConcealFab Corp - All Rights Reserved

**DO NOT SCALE DWG**

DIMENSIONS ARE IN INCHES

MODELED BY:	ALB	DATE:	04/29/20
DRAWN BY:	ALB	DATE:	04/29/20
CHECKED BY:	JAM	DATE:	04/30/20

TITLE:  
**5G MODULAR SHROUD,  
SINGLE CONE, NOKIA  
AEUA**

SCALE:	SHEET SIZE:	SHEET:
1:14	B	1 OF 1

SALES NUMBER:  
**900256-F**

APPROX. WEIGHT (W/OUT EQUIPMENT)	23.59 LBS
APPROX. VOLUME (W EQUIPMENT)	1.9 FT <sup>3</sup>