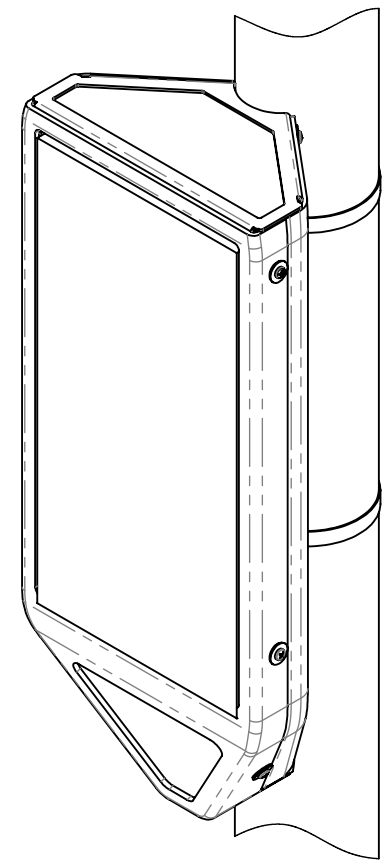
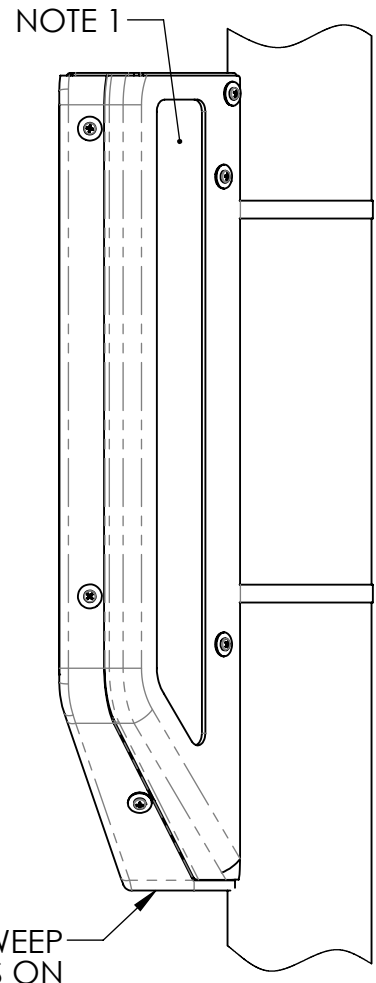
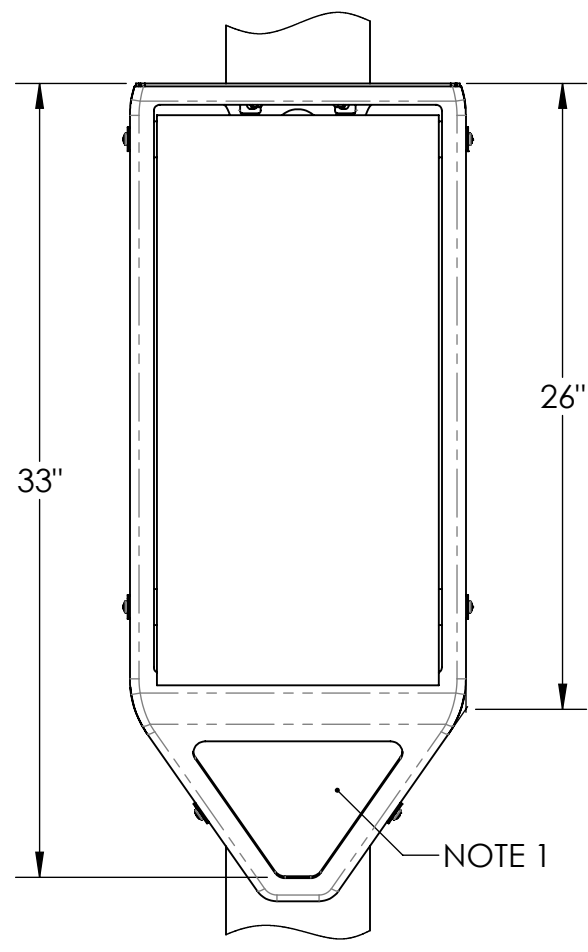
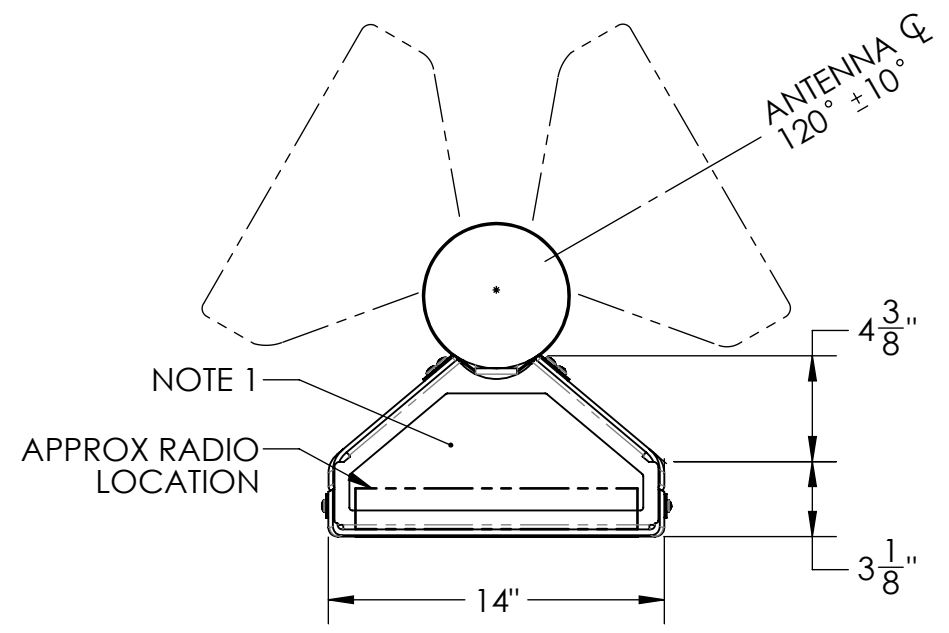


8 7 6 5 4 3 2 1

PROPOSAL DRAWING:
 APPROVED
 APPROVED - WITH CHANGES NOTED
 NOT APPROVED - CHANGE AS NOTED & RESUBMIT
 APPROVED BY _____ DATE _____



- NOTES:
- PERFORATED SCREEN FOR VENTILATION.
 - APPROX WEIGHT (EXCLUDING RADIO): 17.08 LBS.
 - TOTAL VOLUME (INCLUDING RADIO): 1.5 FT³

 10205 FEDERAL DRIVE COLORADO SPRINGS, CO 80908 PH: 719-599-3400 FX: 719-599-0057 SALES@CONCEALFAB.COM	DO NOT SCALE DWG		TITLE: ERICSSON 5121/5331 MODULAR SHROUD	
	DIMENSIONS ARE IN INCHES		SCALE: 1:8	SHEET SIZE: B
PROPRIETARY INFORMATION USE, REPRODUCTION, OR DISCLOSURE IS SUBJECT TO RESTRICTIONS SET FORTH IN NON-DISCLOSURE AGREEMENTS AND PERTINENT CONTRACTUAL DOCUMENTS. © 2017 ConcealFab Corp - All Rights Reserved	MODELED BY: JGL	DATE: 11/14/18	SALES NUMBER: 900246	
	DRAWN BY: JGL	DATE: 11/14/18		
	CHECKED BY: KAB	DATE: 11/14/18		

A B C D

8 7 6 5 4 3 2 1

8

7

6

5

4

3

2

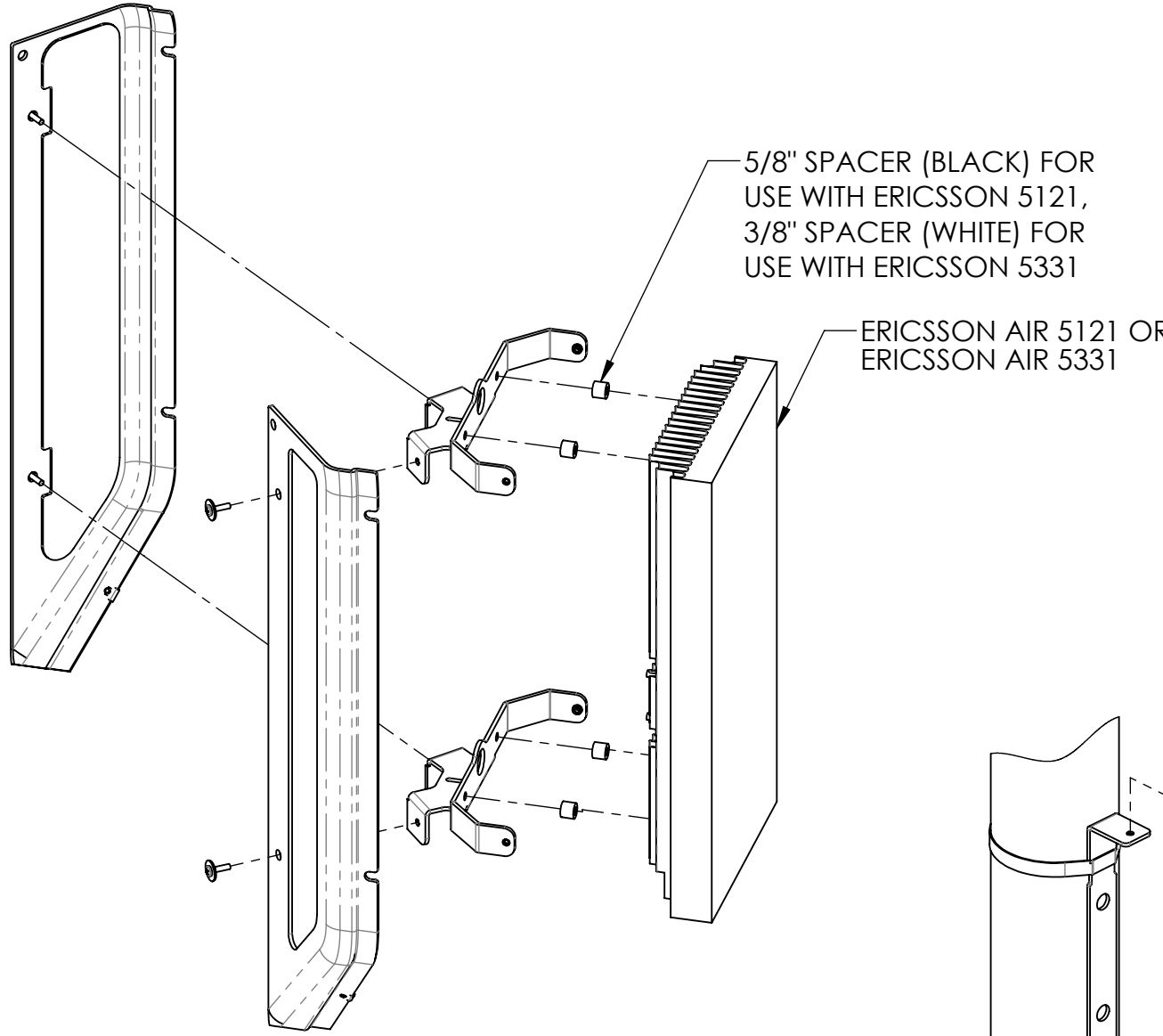
1

D

C

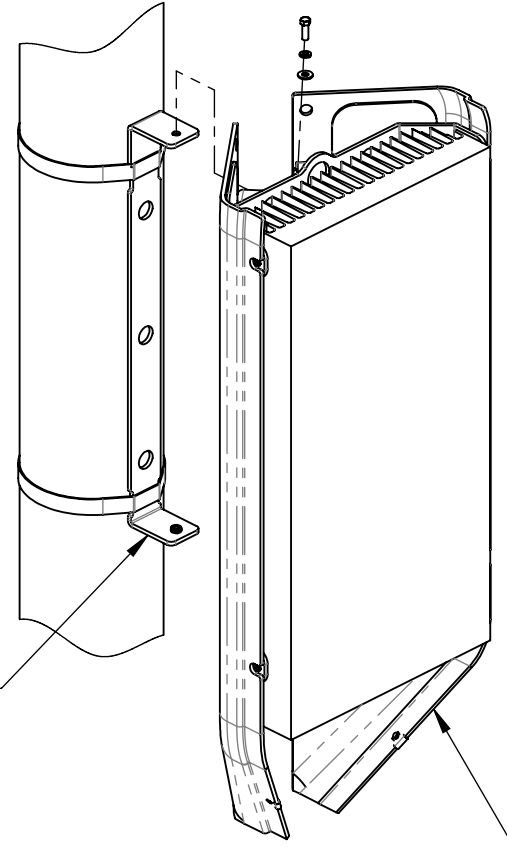
B

A

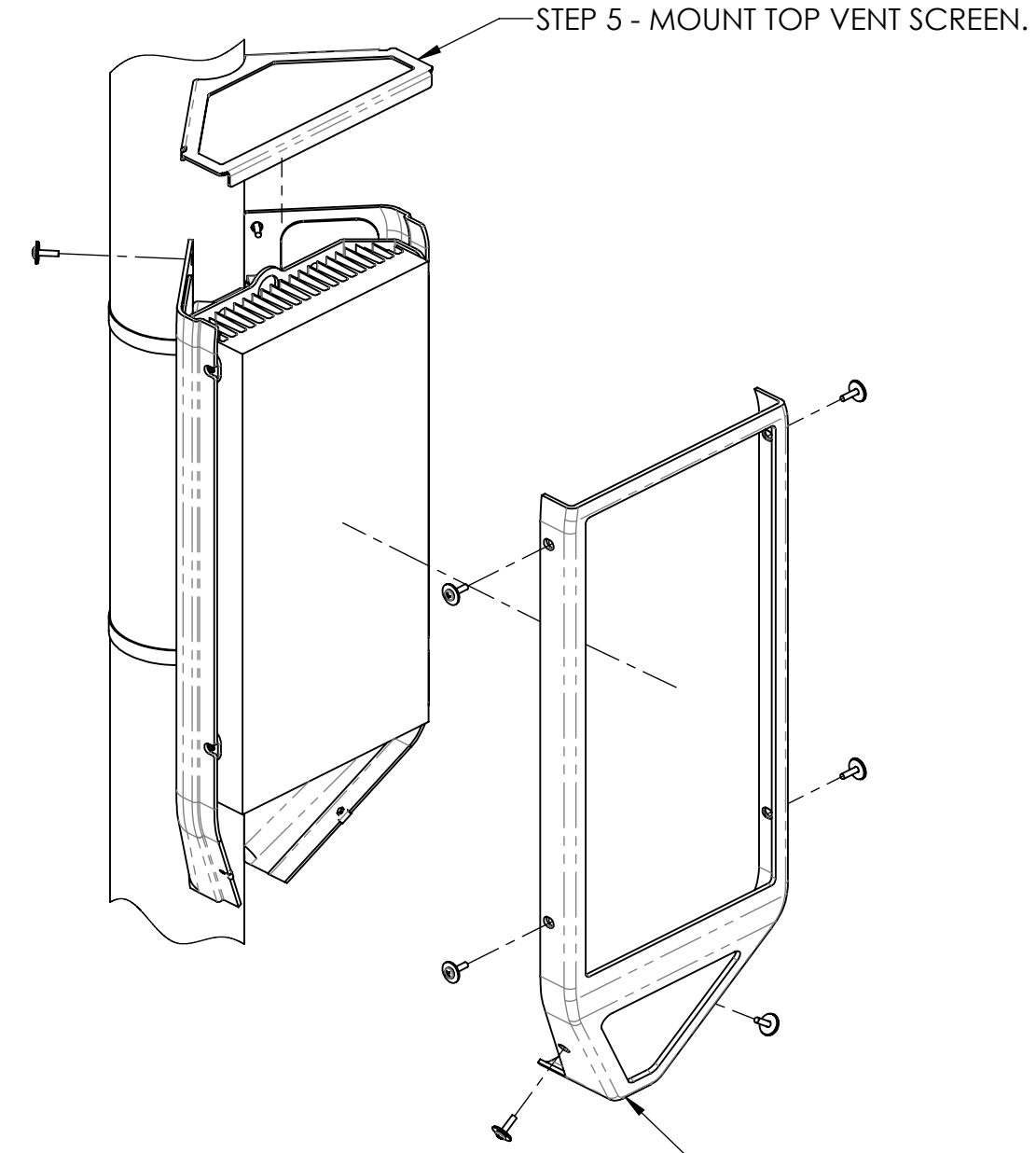


STEP 1 - ASSEMBLE RADIO, BRACKET AND REAR SHROUD PORTIONS.

STEP 2 - ATTACH BRACKET(S) TO POLE AT APPROX REQUIRED AZIMUTH WITH EITHER 3/4" BANDS OR 1/2" LAG BOLTS (BY OTHERS).



STEP 3 - MOUNT ASSEMBLY FROM STEP 1 TO BRACKET FROM STEP 2. ADJUST TO DESIRED AZIMUTH.



STEP 4 - MOUNT FRONT SHROUD

D

C

B

A

<p>10205 FEDERAL DRIVE COLORADO SPRINGS, CO 80908 PH: 719-599-3400 FX: 719-599-0057 SALES@CONCEALFAB.COM</p> <p>PROPRIETARY INFORMATION USE, REPRODUCTION, OR DISCLOSURE IS SUBJECT TO RESTRICTIONS SET FORTH IN NON-DISCLOSURE AGREEMENTS AND PERTINENT CONTRACTUAL DOCUMENTS. © 2017 ConcealFab Corp - All Rights Reserved</p>	<p>DO NOT SCALE DWG</p>	<p>TITLE: ERICSSON 5121/5331 MODULAR SHROUD</p>	
	<p>DIMENSIONS ARE IN INCHES</p>		<p>SCALE: 1:8</p>
	<p>NAME: _____</p> <p>DATE: _____</p>	<p>SHEET: 2 OF 2</p>	
<p>MODELED BY: JGL</p> <p>DRAWN BY: JGL</p> <p>CHECKED BY: KAB</p>	<p>DATE: 11/14/18</p> <p>DATE: 11/14/18</p> <p>DATE: 11/14/18</p>	<p>SALES NUMBER: 900246</p>	

8

7

6

5

4

3

2

1