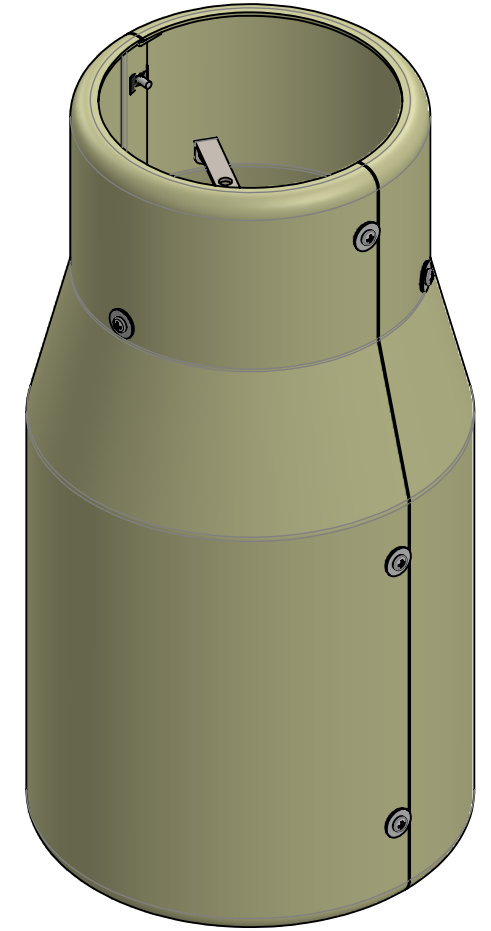
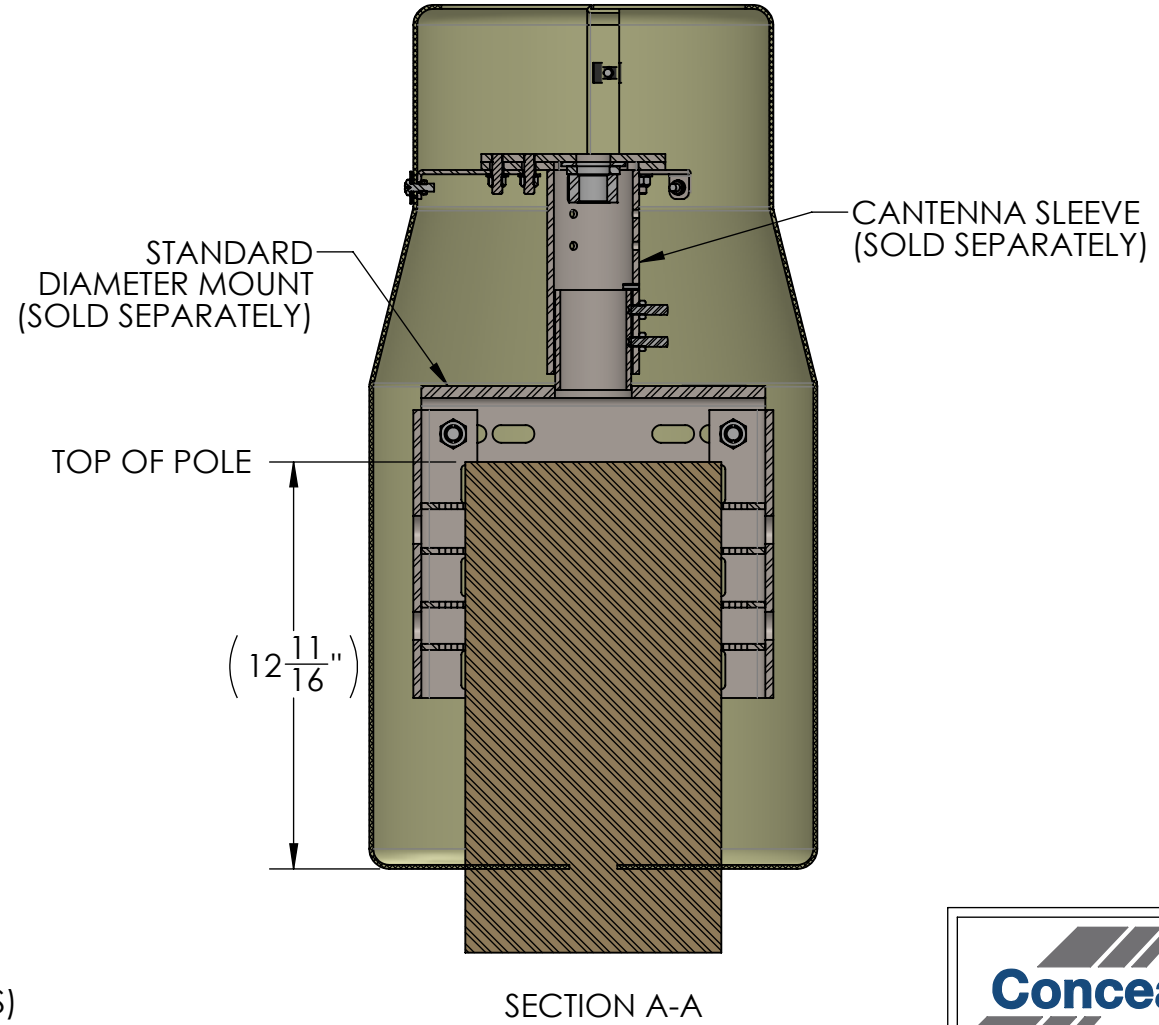
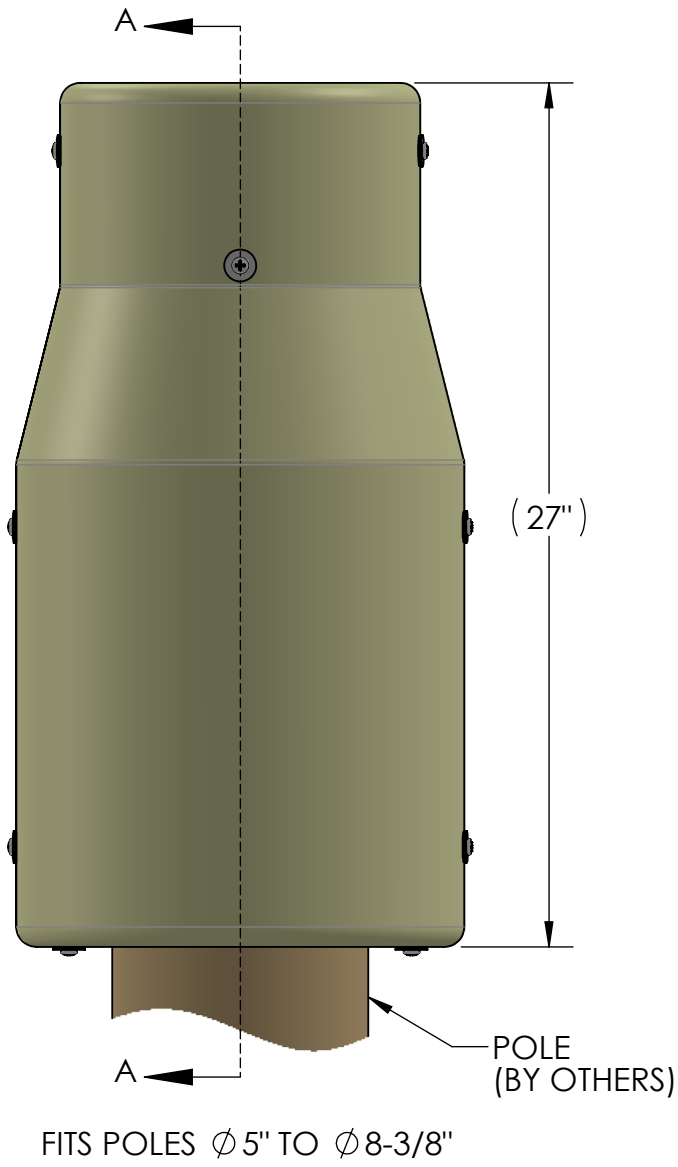
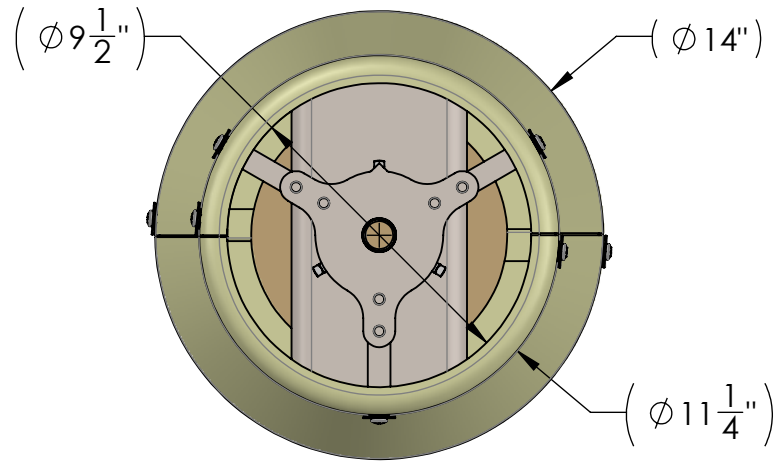


MECHANICAL OUTLINE



PART NUMBER	COLOR
900181-1	BLACK
900181-2	BROWN
900181-3	GRAY
900181-4	SILVER

ConcealFab
 Corporation
 10205 FEDERAL DRIVE
 COLORADO SPRINGS, CO 80908
 PH: 719-599-3400 FX: 719-599-0057
 SALES@CONCEALFAB.COM

PROPRIETARY INFORMATION
 USE, REPRODUCTION, OR DISCLOSURE IS SUBJECT TO RESTRICTIONS SET FORTH IN NON-DISCLOSURE AGREEMENTS AND PERTINENT CONTRACTUAL DOCUMENTS.
 © 2017 ConcealFab Corp - All Rights Reserved

DO NOT SCALE DWG

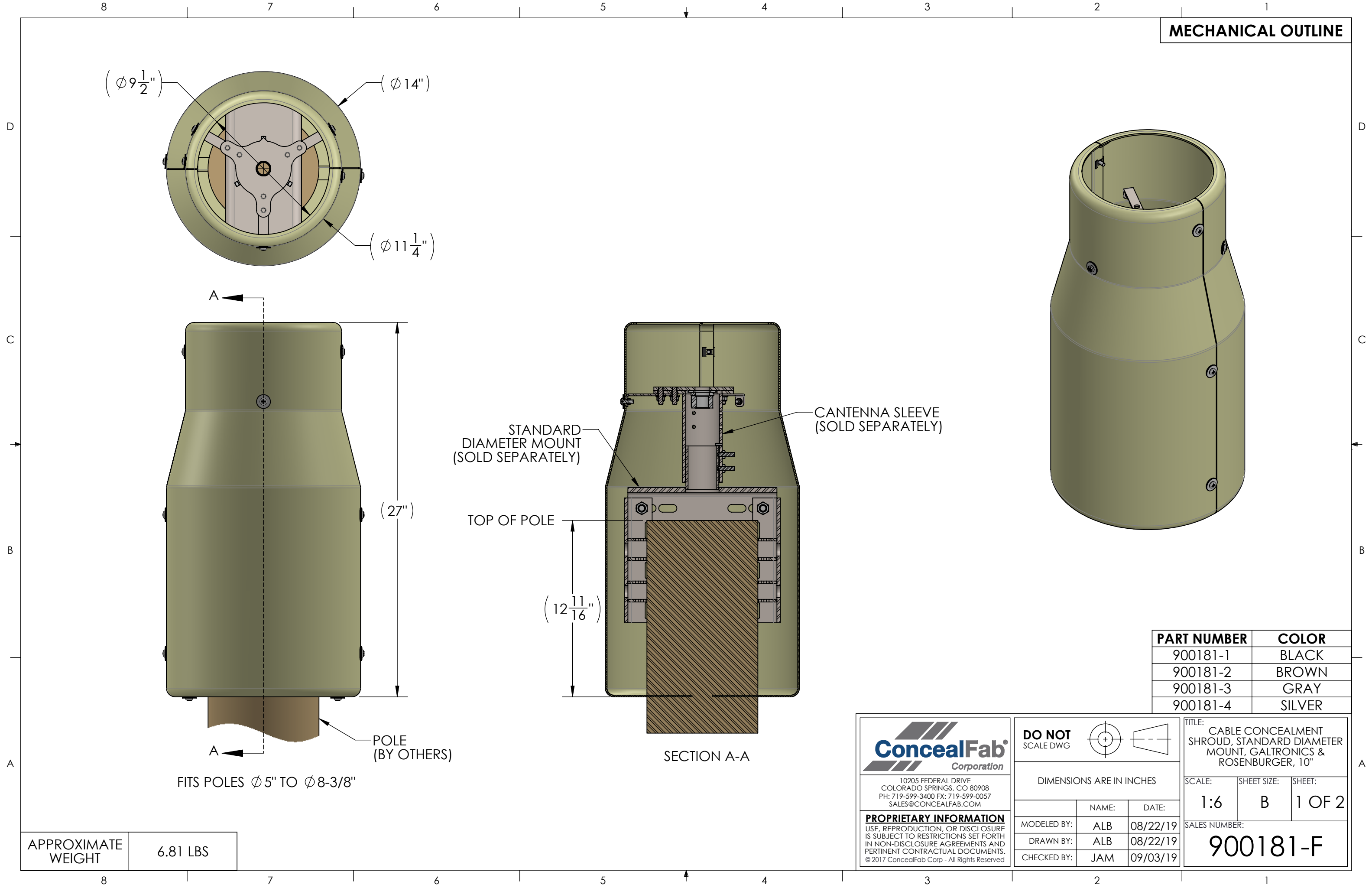
DIMENSIONS ARE IN INCHES

NAME:	DATE:
MODELED BY: ALB	08/22/19
DRAWN BY: ALB	08/22/19
CHECKED BY: JAM	09/03/19

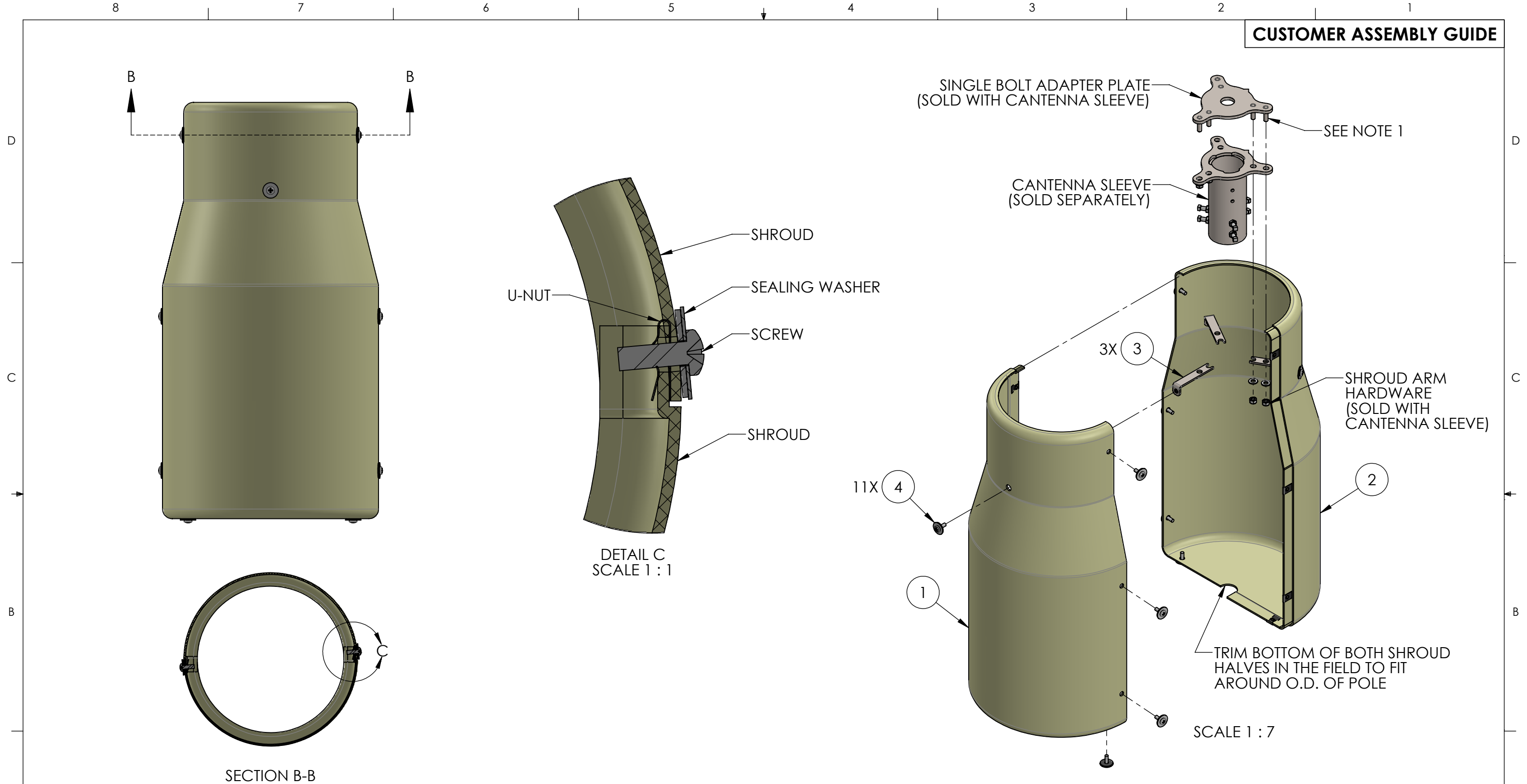
TITLE: CABLE CONCEALMENT SHROUD, STANDARD DIAMETER MOUNT, GALTRONICS & ROSENBERGER, 10"

SCALE: 1:6	SHEET SIZE: B	SHEET: 1 OF 2
SALES NUMBER: 900181-F		

APPROXIMATE WEIGHT	6.81 LBS
--------------------	----------



CUSTOMER ASSEMBLY GUIDE



NOTES:
 1. STAINLESS STEEL HARDWARE TO HAVE ANTISEIZE LUBRICANT APPLIED BEFORE ASSEMBLY.

ITEM NO.	QTY.	DESCRIPTION
1	1	ASSY, SHROUD HALF, SINGLE HOLE
2	1	ASSY, SHROUD HALF, DOUBLE HOLE
3	3	PEM ASSY, SHROUD ARM
4	11	ASSY, WASHER, SEALING, 1/4", 18-8 SS, 1" O.D., PHMS, 1/4"-20 X 3/4" LG, 18-8 SS

ConcealFab
 Corporation
 10205 FEDERAL DRIVE
 COLORADO SPRINGS, CO 80908
 PH: 719-599-3400 FX: 719-599-0057
 SALES@CONCEALFAB.COM

PROPRIETARY INFORMATION
 USE, REPRODUCTION, OR DISCLOSURE IS SUBJECT TO RESTRICTIONS SET FORTH IN NON-DISCLOSURE AGREEMENTS AND PERTINENT CONTRACTUAL DOCUMENTS.
 © 2017 ConcealFab Corp - All Rights Reserved

DO NOT SCALE DWG

DIMENSIONS ARE IN INCHES

NAME:	DATE:
MODELED BY: ALB	08/22/19
DRAWN BY: ALB	08/22/19
CHECKED BY: JAM	09/03/19

TITLE: CABLE CONCEALMENT SHROUD, STANDARD DIAMETER MOUNT, GALTRONICS & ROSENBERGER, 10"

SCALE: 1:6	SHEET SIZE: B	SHEET: 2 OF 2
SALES NUMBER: 900181-F		