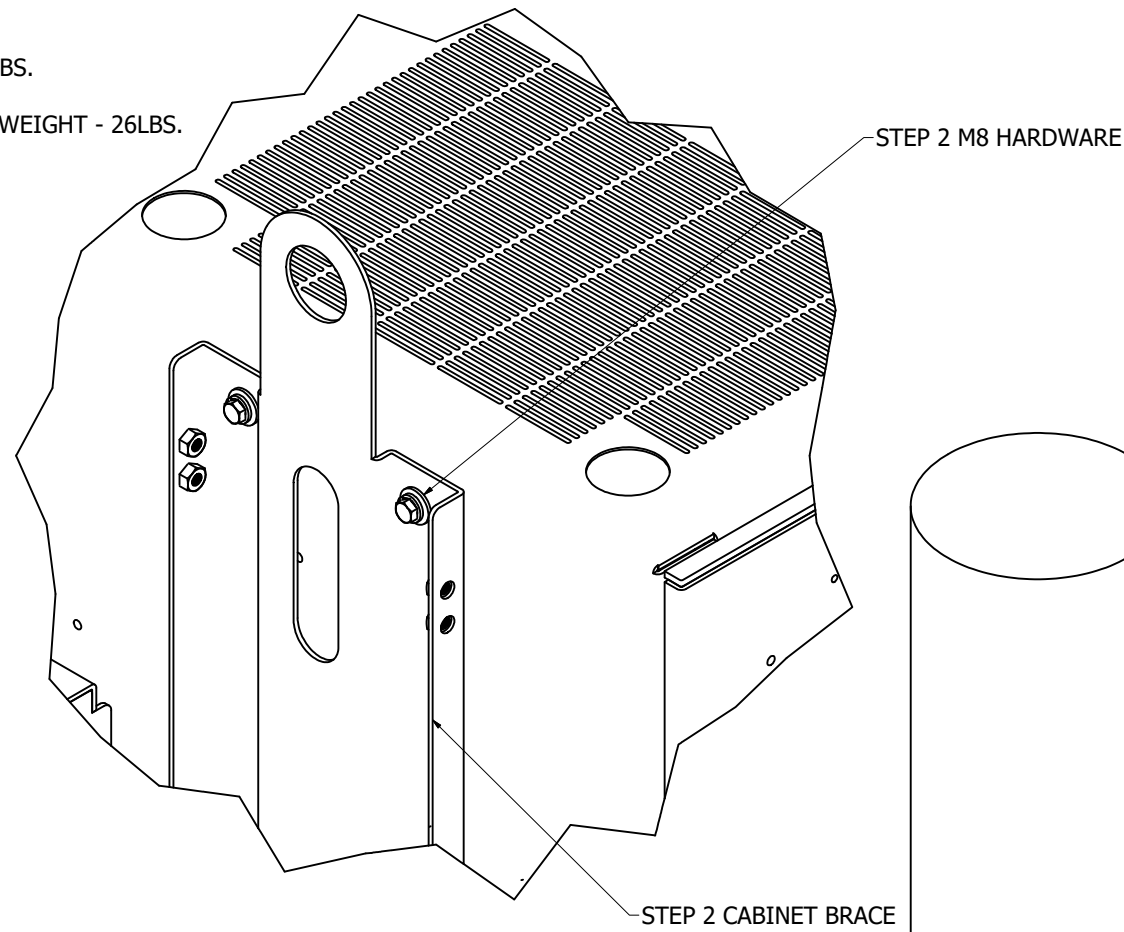


NOTES:

MAIN BODY WEIGHT - 96LBS.

OUTER MOUNTING SPINE WEIGHT - 26LBS.



DETAIL A
SCALE 0.44 : 1

WALL MOUNT ASSEMBLY

STEP 1:

ATTACH THE POLE / WALL BRACKET TO A WALL, OR POLE. POLE MOUNTING CAN BE DONE USING BAND CLAMPS OR THREADED ROD AND NUTS.

STEP 2:

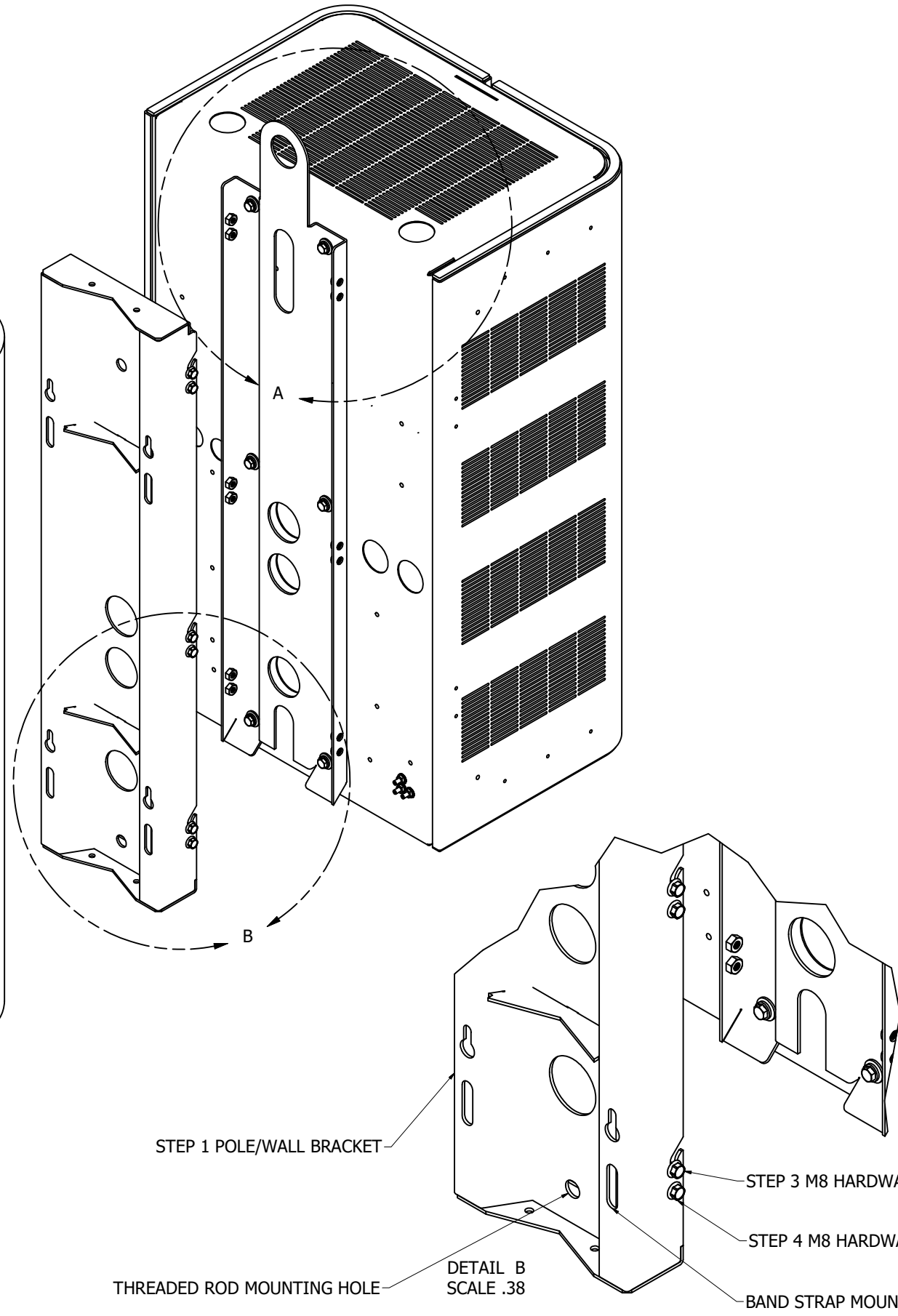
ATTACH THE CABINET BRACKET USING THE M8 HARDWARE SUPPLIED WITH THE KIT

STEP 3:

INSTALL THE UPPER M8 BOLTS APPROXIMATELY HALF WAY IN THE NUTS ATTACHED TO THIS BRACKET THEN LIFT THE CABINET ASSEMBLY AND ALIGN THE BOLTS WITH THE SLANTED SLOTS ON THE BRACKET ATTACHED TO THE WALL OR POLE AND SLIDE DOWN AND BACK INTO THE BRACKET.

STEP 4:

INSTALL THE LOWER M8 BOLTS AND TIGHTEN ALL OF THE M8 BOLTS. FOR INSTALLATIONS WITH CABINETS MOUNTED TO BUT STACKED ABOVE THIS STACK, A SIMILAR BRACKET WILL BE DESIGNED AND SUPPLIED AS USED IN STEP 2 TO ATTACH DIRECTLY TO THE UPPER CABINET. ADDITIONALLY, A SEPARATE BRACKET FOR ATTACHING TO THE WALL OR POLE WILL BE INCLUDED THAT WILL ATTACH TO THE BRACKET SHOWN IN STEP 1 BELOW. THERE ARE MOUNTING HOLES IN THIS BRACKET TO ACCOMMODATE CUSTOM CONFIGURATIONS.



DETAIL B
SCALE .38



3525 NORTH CASCADE AVENUE
COLORADO SPRINGS, CO 80907
PH: 719-599-3400 FX: 719-599-0057

PROPRIETARY INFORMATION

USE, REPRODUCTION, OR DISCLOSURE IS SUBJECT TO RESTRICTIONS SET FORTH IN NON-DISCLOSURE AGREEMENTS AND PERTINENT CONTRACTUAL DOCUMENTS.
©2016 ConcealFab Corp - All Rights Reserved

Project:

900116IG 39IN MACRO CURVED SHROUD, 6X 220X CONFIGURATION
INSTALLATION GUIDE

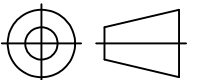
Drawn By: Date: Ckd By: Date:

ERIK BAUKNECHT 10/23/2018

Rev: Date: Description: App:

A		NEW RELEASE	EWB
B	11/05/18	ADDED OVERAL DIMENSIONS	EWB

DO NOT SCALE DWG



DIMENSIONS ARE IN INCHES

DECIMAL	ANGLE	FRACTION
X.X ± 0.050	X ± 1°	±1/16"
X.XX ± 0.020	X.X ± 0.5°	
X.XXX ± 0.010		

Consultant:

Blank box for Consultant signature.

Consultant:

Blank box for Consultant signature.

Sheet Title:

Blank box for Sheet Title.

Sheet Scale: Sheet: Rev:

1:8	1 OF 2	
-----	--------	--

Drawing / Part Number:

CFEC4415SM21MW

PROPRIETARY INFORMATION
USE, REPRODUCTION, OR DISCLOSURE
IS SUBJECT TO RESTRICTIONS SET FORTH
IN NON-DISCLOSURE AGREEMENTS AND
PERTINENT CONTRACTUAL DOCUMENTS.
©2016 ConcealFab Corp - All Rights Reserved

Project:
900116IG 39IN MACRO CURVED
SHROUD, 6X 220X CONFIGURATION
INSTALLATION GUIDE

Drawn By: Date: Ckd By: Date:
ERIK 10/23/2018
BAUKNECHT

Rev:	Date:	Description:	App:
A		NEW RELEASE	EWB
B	11/05/18	ADDED OVERALL DIMENSIONS	EWB

DO NOT SCALE DWG

DIMENSIONS ARE IN INCHES

DECIMAL	ANGLE	FRACTION
X.X ± 0.050	X ± 1°	±1/16"
X.XX ± 0.020	X.X ± 0.5°	
X.XXX ± 0.010		

Consultant:

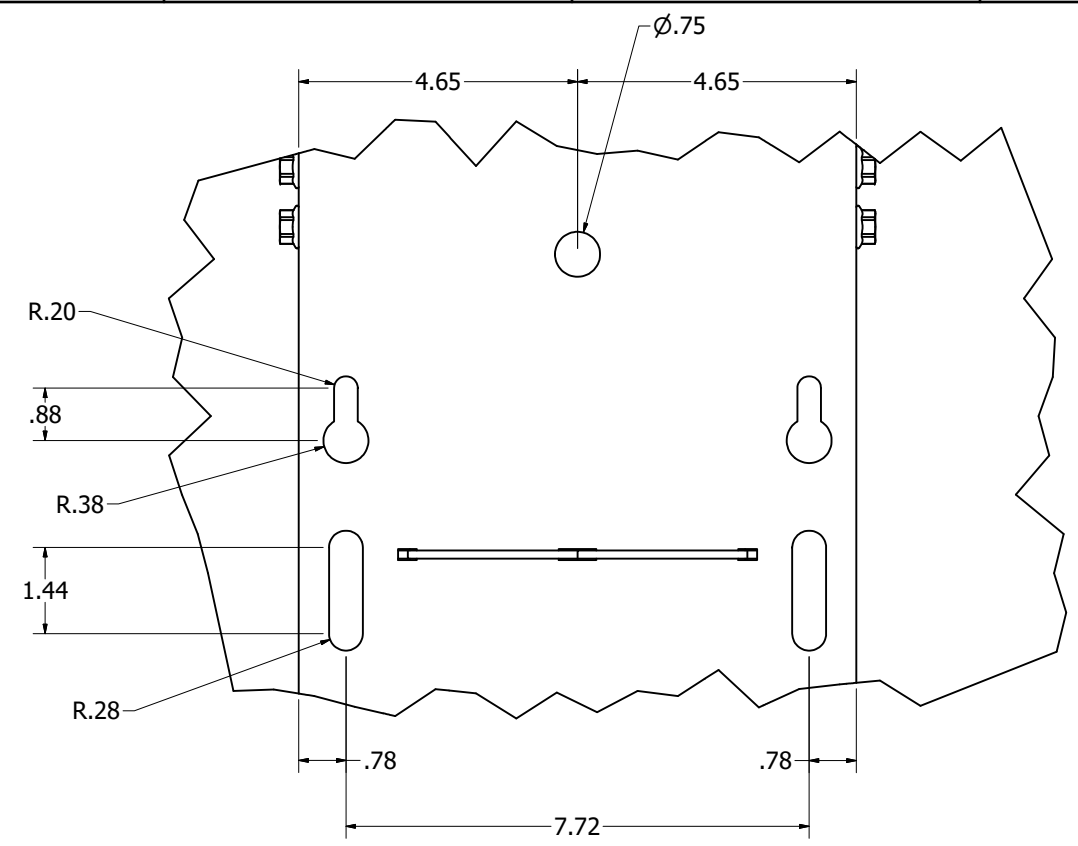
Consultant:

Consultant:

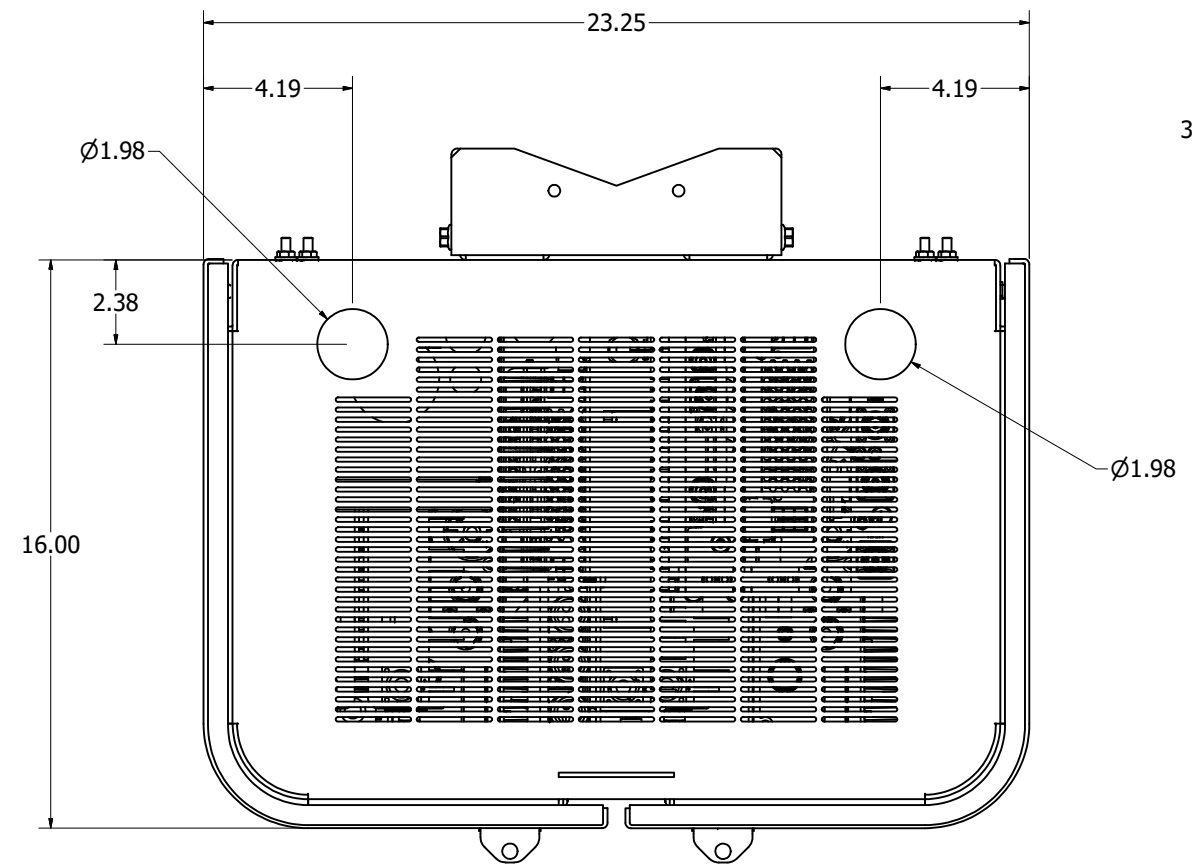
Sheet Title:

Sheet Scale: Sheet: Rev:
1:8 2 OF 2

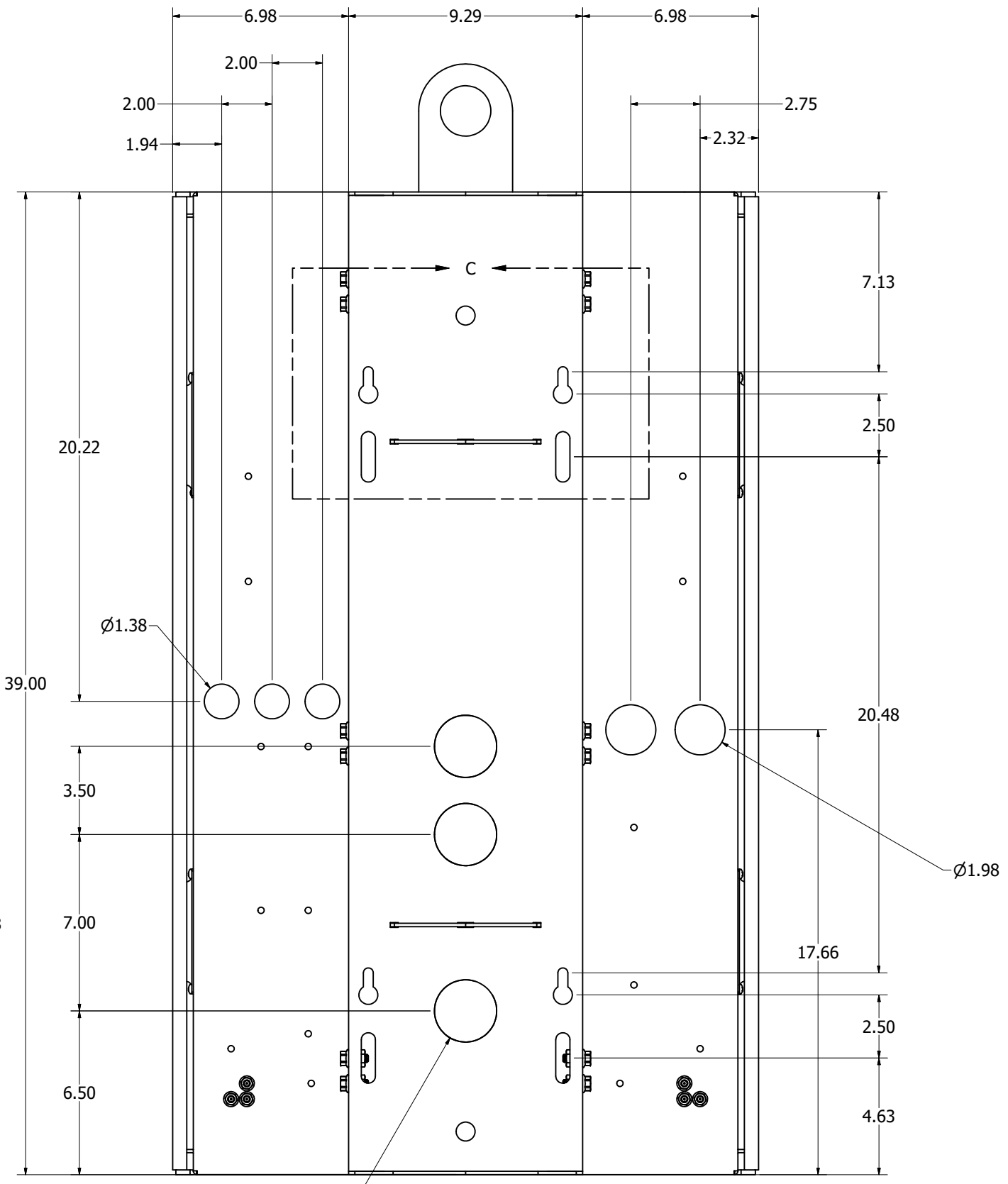
Drawing / Part Number:
CFEC4415SM21MW



DETAIL C
SCALE .625



VIEW D-D
SCALE .37



MOUNTING LOCATIONS
SCALE .37