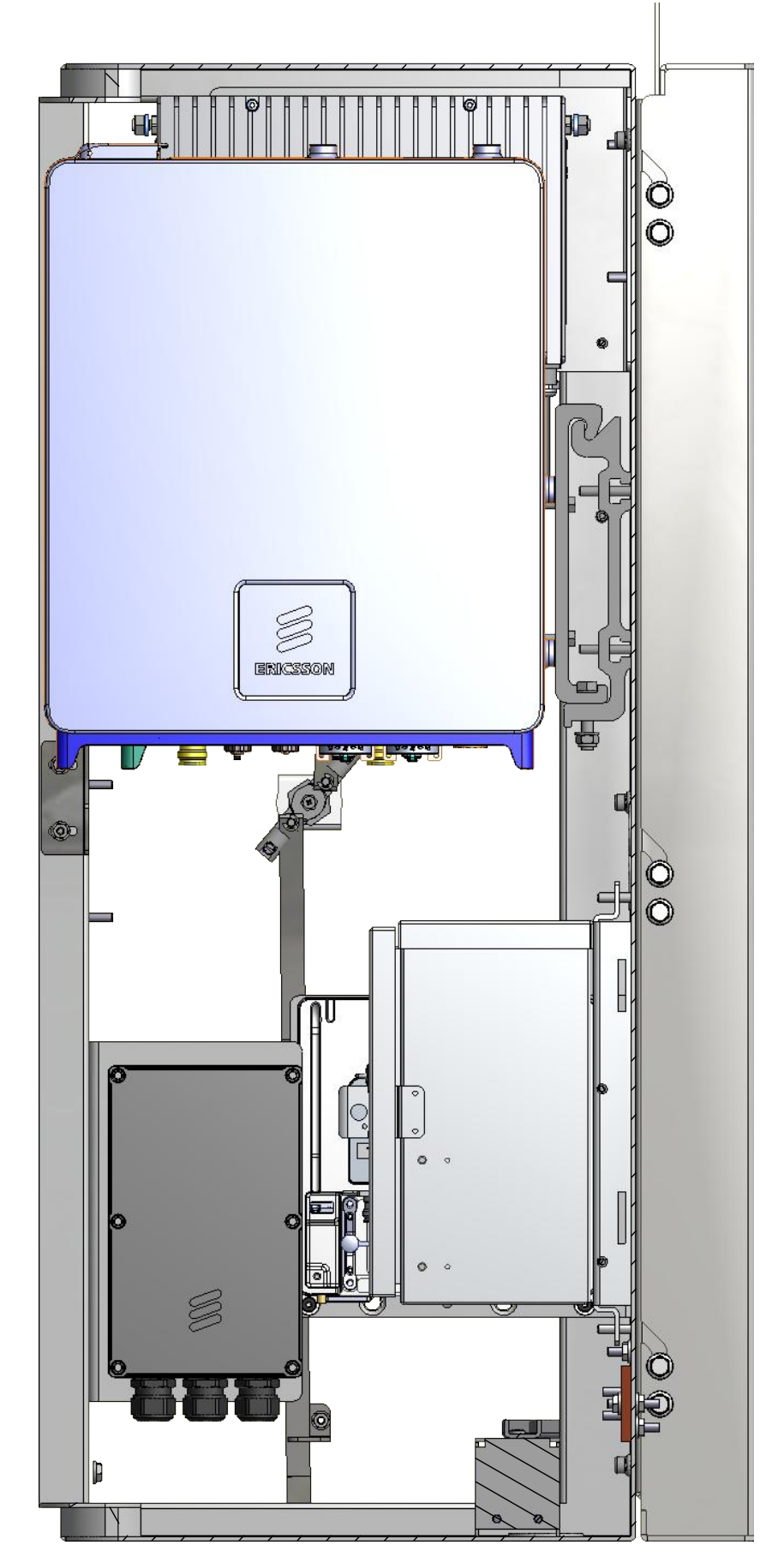
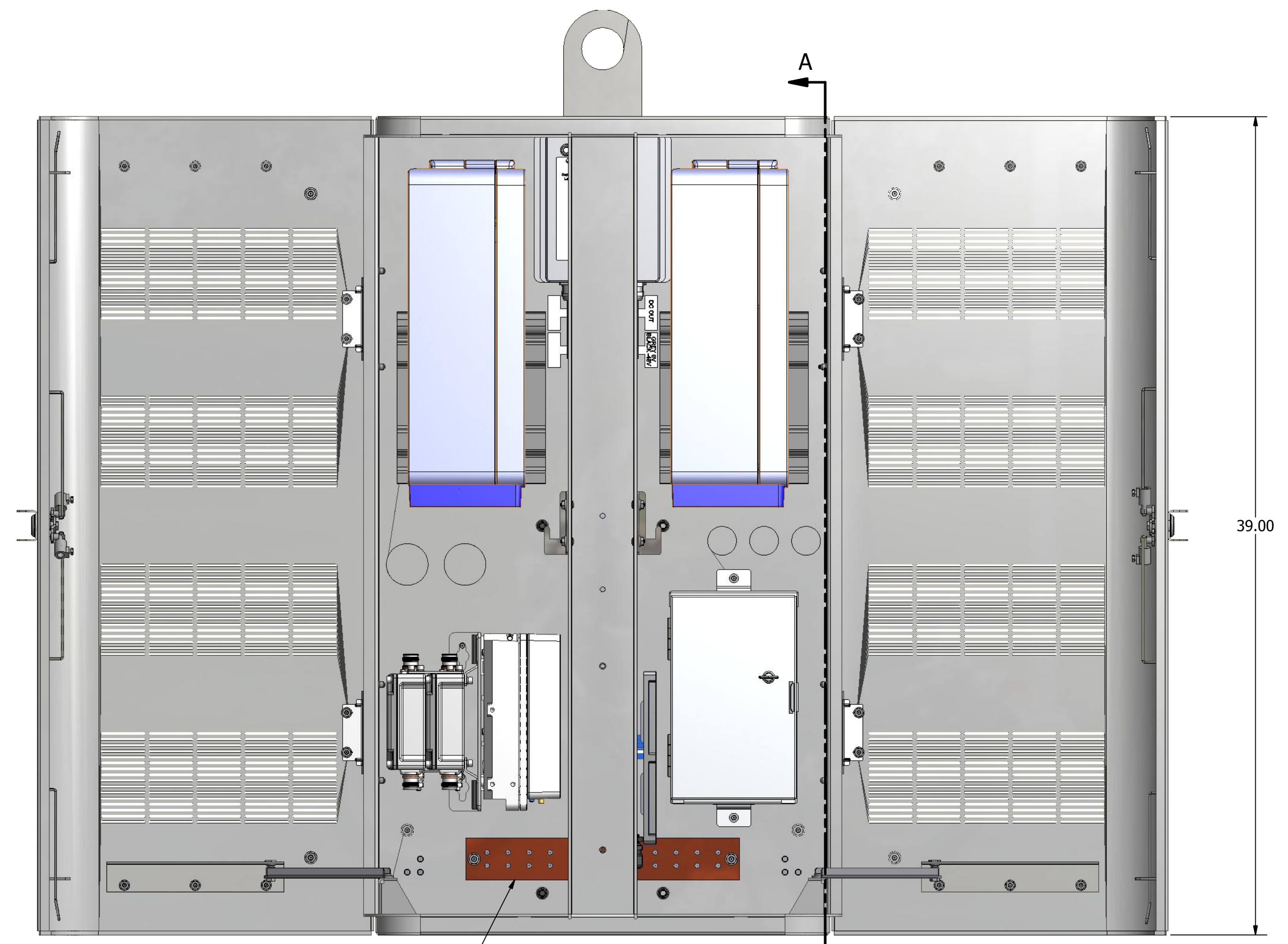


4415 RADIOS REMOVED
SCALE .23



SECTION A-A
SCALE .23

3525 NORTH CASCADE AVENUE
COLORADO SPRINGS, CO 80907
PH: 719-599-3400 FX: 719-599-0057

PROPRIETARY INFORMATION
USE, REPRODUCTION, OR DISCLOSURE
IS SUBJECT TO RESTRICTIONS SET FORTH
IN NON-DISCLOSURE AGREEMENTS AND
PERTINENT CONTRACTUAL DOCUMENTS.
2016 ConcealFab Corp - All Rights Reserved

Project:
CFEC4415SM

Drawn By: Date: Ckd By: Date:

Erik
Bauknecht 5/4/2018

Rev: Date: Description: App:

Rev	Date	Description	App
A		NEW RELEASE	
B	5/14/18	REMOVED DIPLEXER, ADDED 2203 RADIO	

DO NOT SCALE DWG

DIMENSIONS ARE IN INCHES

DECIMAL	ANGLE	FRACTION
X.X ± 0.050	X ± 1°	±1/16"
X.XX ± 0.020	X.X ± 0.5°	
X.XXX ± 0.010		

Consultant:

Consultant:

Consultant:

Sheet Title:

Sheet Scale: Sheet: Rev:

1:8 1 OF 1

Drawing / Part Number:

CFEC4415SM02_CF