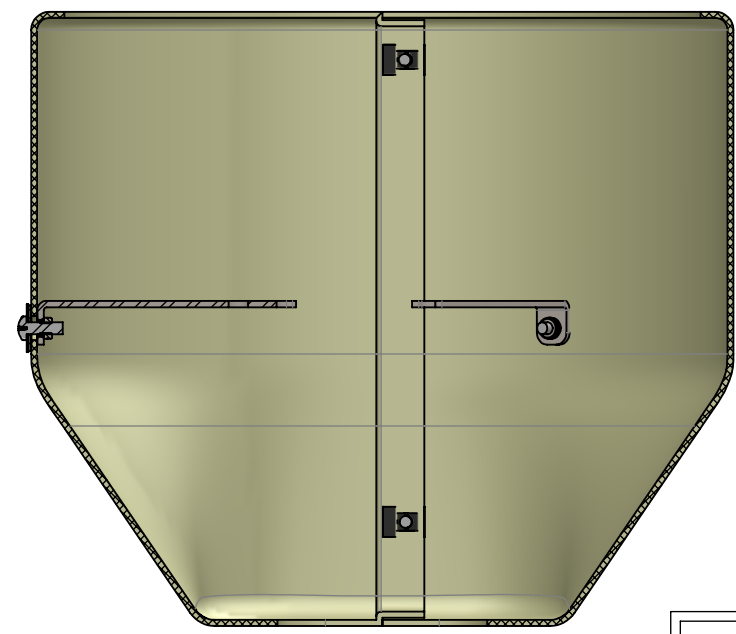
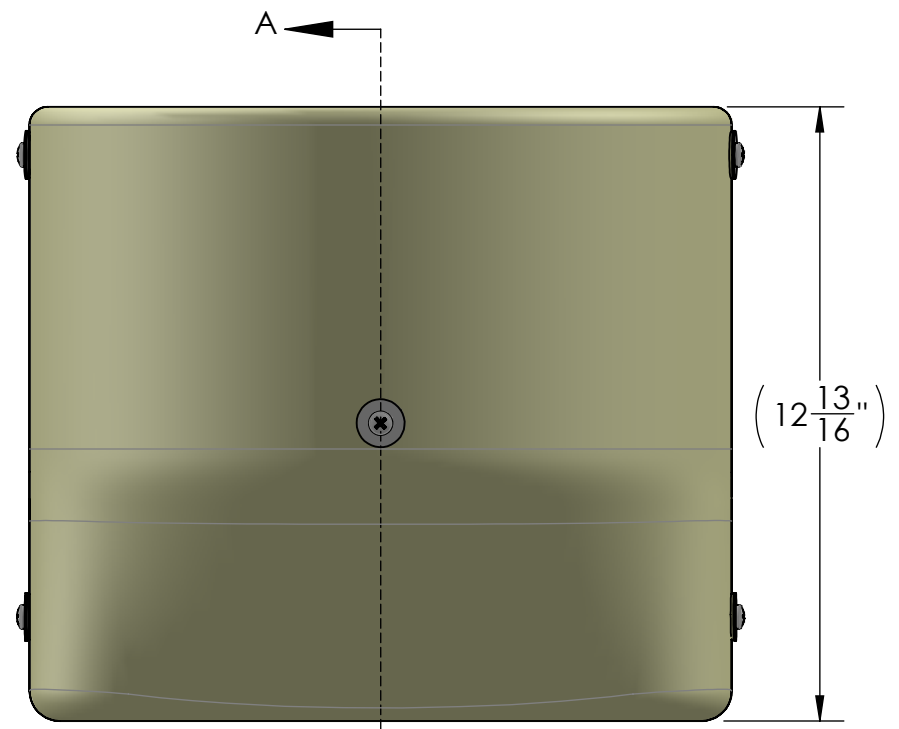
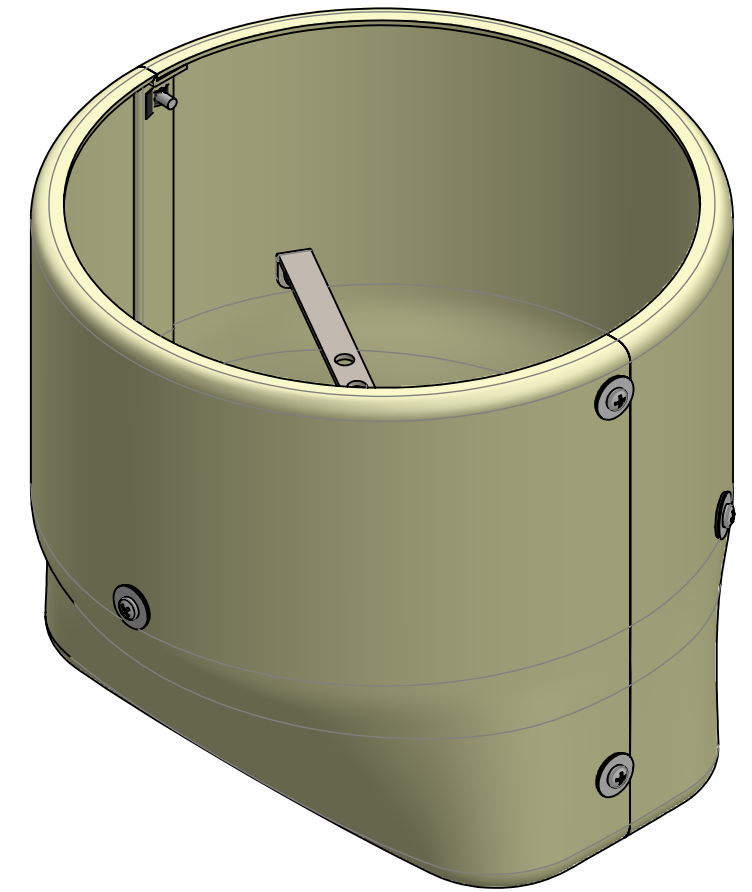
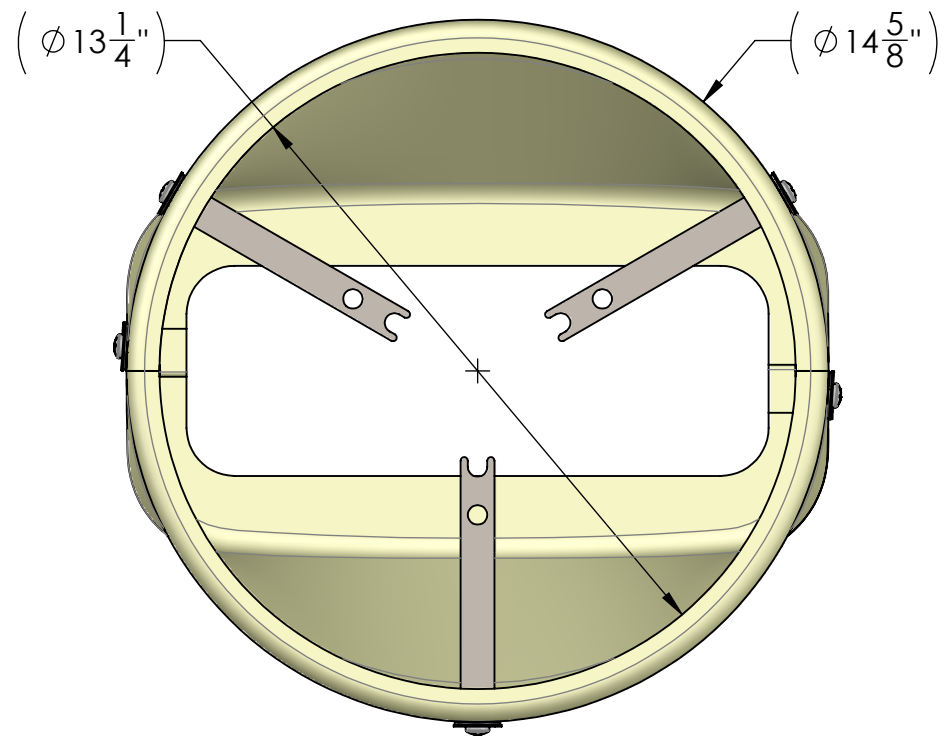


MECHANICAL OUTLINE



SECTION A-A

PART NUMBER	COLOR
900103-1	BLACK
900103-2	BROWN
900103-3	GRAY
900103-4	SILVER

ConcealFab
Corporation

10205 FEDERAL DRIVE
COLORADO SPRINGS, CO 80908
PH: 719-599-3400 FX: 719-599-0057
SALES@CONCEALFAB.COM

PROPRIETARY INFORMATION
USE, REPRODUCTION, OR DISCLOSURE IS SUBJECT TO RESTRICTIONS SET FORTH IN NON-DISCLOSURE AGREEMENTS AND PERTINENT CONTRACTUAL DOCUMENTS.
© 2017 ConcealFab Corp - All Rights Reserved

DO NOT SCALE DWG

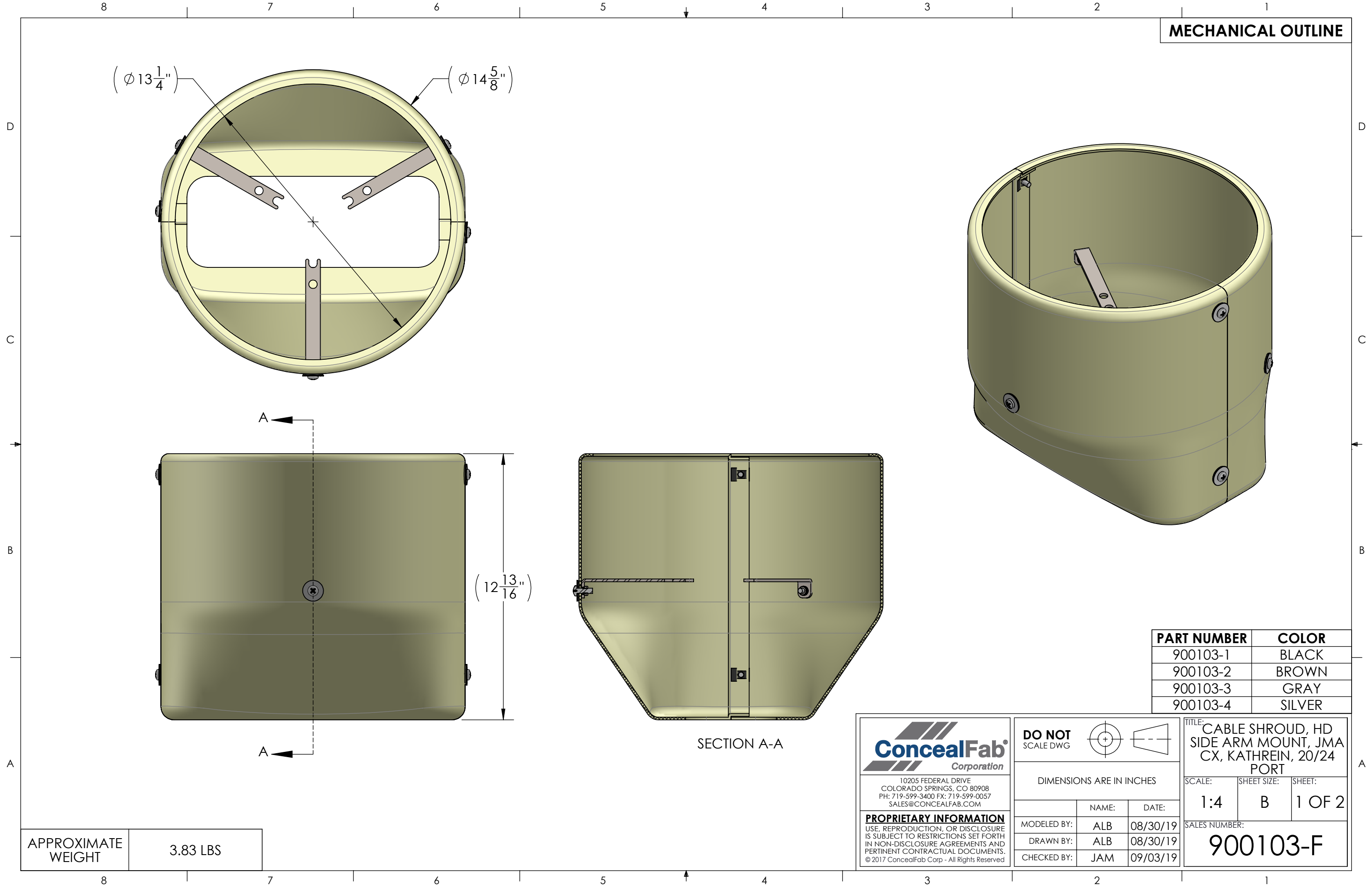
DIMENSIONS ARE IN INCHES

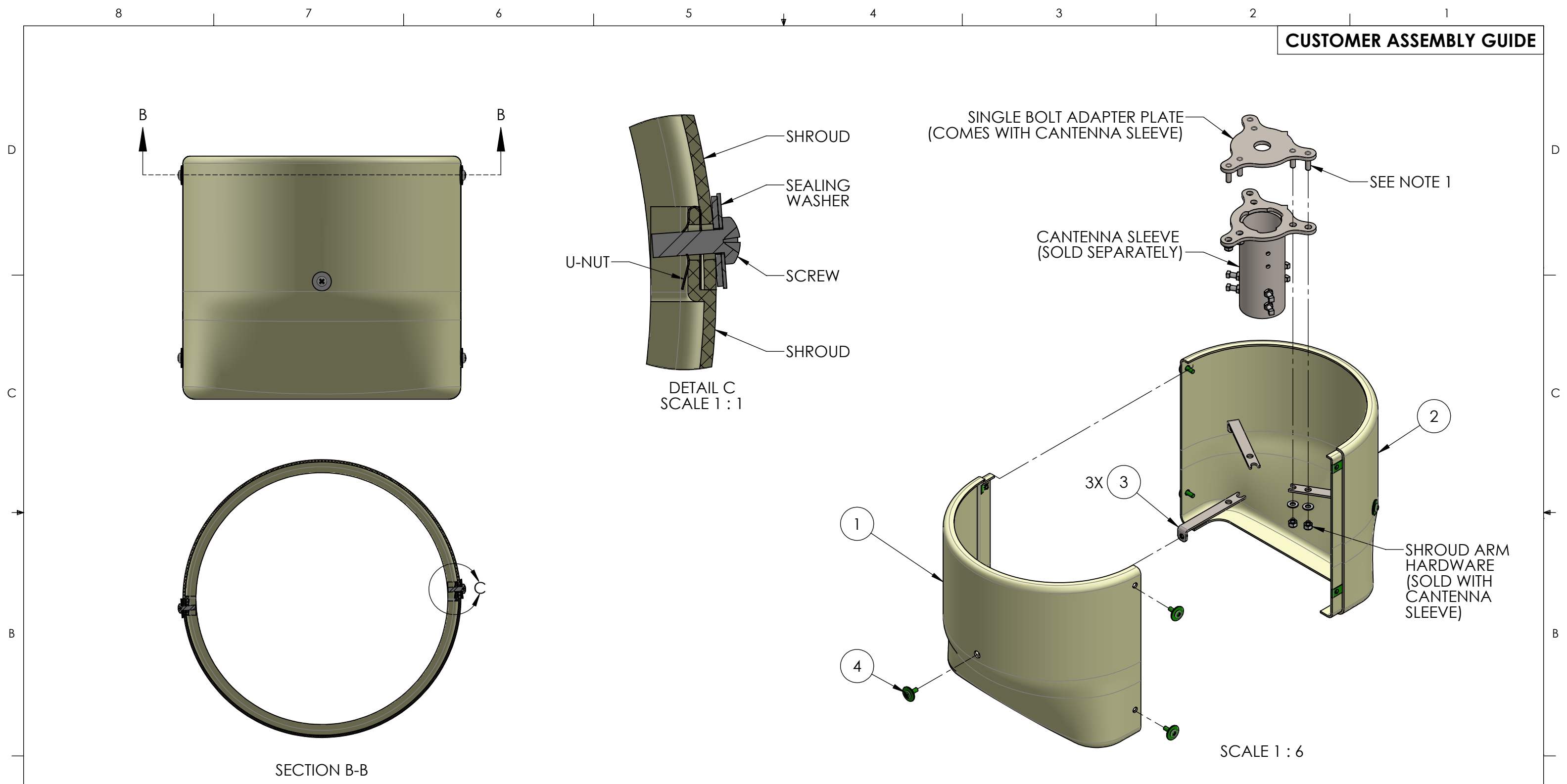
MODELED BY:	ALB	08/30/19
DRAWN BY:	ALB	08/30/19
CHECKED BY:	JAM	09/03/19

TITLE: CABLE SHROUD, HD SIDE ARM MOUNT, JMA CX, KATHREIN, 20/24 PORT

SCALE: 1:4	SHEET SIZE: B	SHEET: 1 OF 2
SALES NUMBER: 900103-F		

APPROXIMATE WEIGHT	3.83 LBS
--------------------	----------





NOTES:

1. STAINLESS STEEL HARDWARE SHALL HAVE ANTISEIZE LUBRICANT APPLIED BEFORE ASSEMBLY.

ITEM NO.	QTY.	DESCRIPTION
1	1	ASSY, SHROUD HALF, SINGLE HOLE
2	1	ASSY, SHROUD HALF, DOUBLE HOLE
3	3	PEM ASSY, SHROUD ARM
4	7	ASSY, WASHER, SEALING, 1/4", 18-8 SS, 1" O.D., PHMS, 1/4"-20 X 3/4" LG, 18-8 SS

ConcealFab
Corporation

10205 FEDERAL DRIVE
COLORADO SPRINGS, CO 80908
PH: 719-599-3400 FX: 719-599-0057
SALES@CONCEALFAB.COM

PROPRIETARY INFORMATION
USE, REPRODUCTION, OR DISCLOSURE IS SUBJECT TO RESTRICTIONS SET FORTH IN NON-DISCLOSURE AGREEMENTS AND PERTINENT CONTRACTUAL DOCUMENTS.
© 2017 ConcealFab Corp - All Rights Reserved

DO NOT SCALE DWG

DIMENSIONS ARE IN INCHES

NAME:	ALB	DATE:	08/30/19
MODELED BY:	ALB	DRAWN BY:	ALB
CHECKED BY:	JAM	DATE:	09/03/19

TITLE: CABLE SHROUD, HD SIDE ARM MOUNT, JMA CX, KATHREIN, 20/24 PORT

SCALE:	SHEET SIZE:	SHEET:
1:5	B	2 OF 2

SALES NUMBER:
900103-F