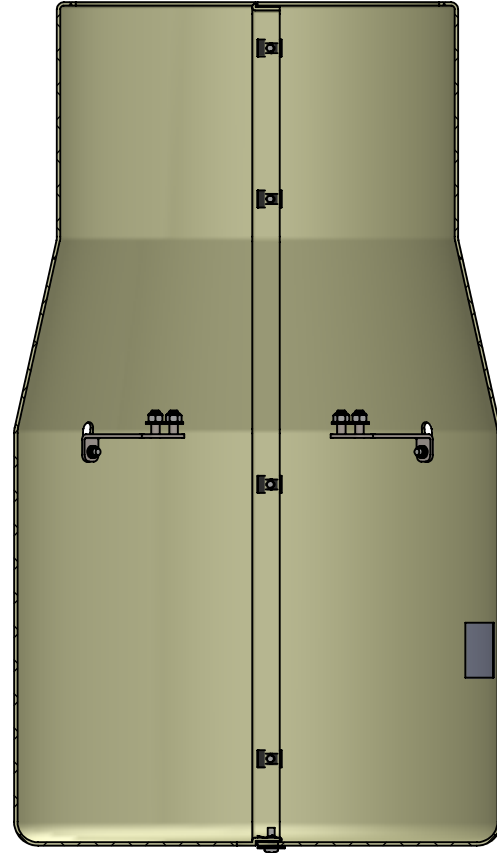
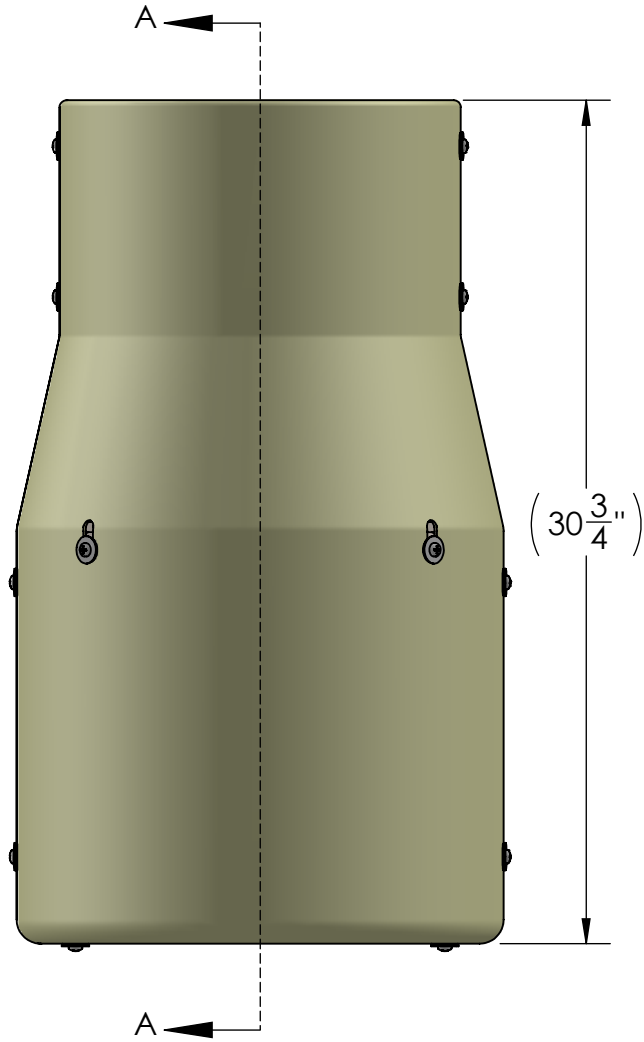
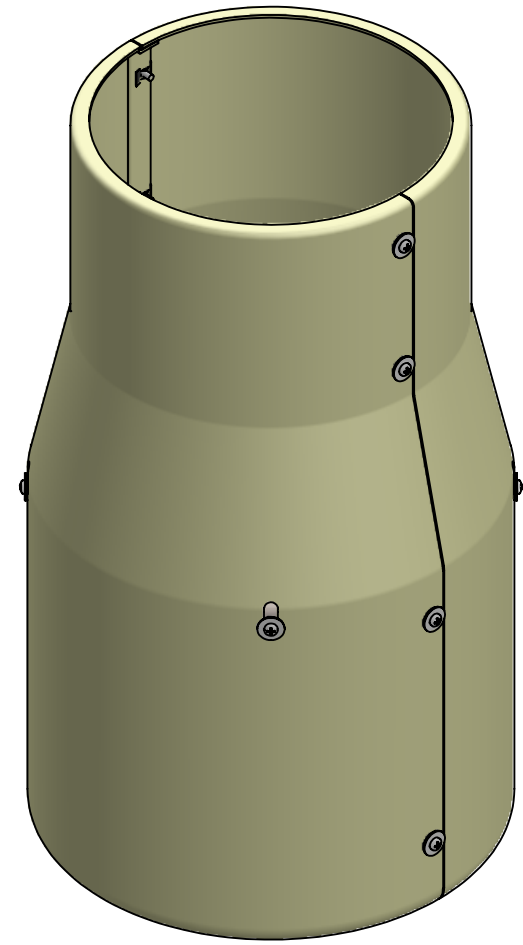
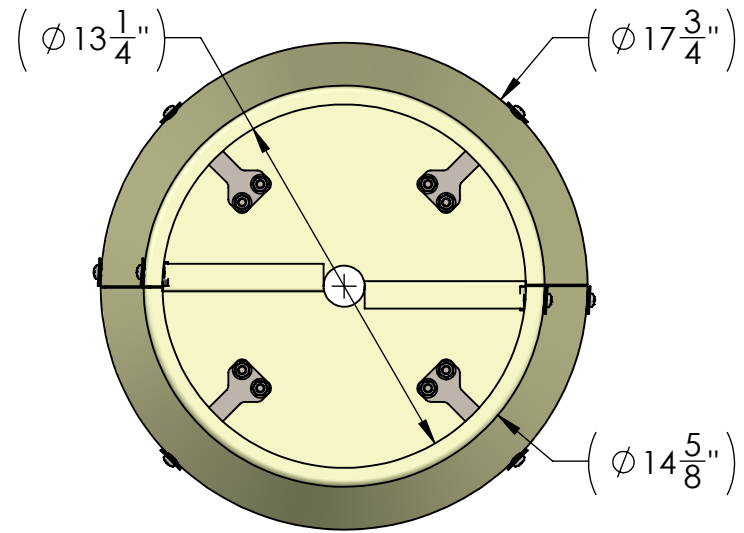


**MECHANICAL OUTLINE**



SECTION A-A

PART NUMBER	COLOR
900102-1	BLACK
900102-2	BROWN
900102-3	GRAY
900102-4	SILVER

**ConcealFab**  
Corporation

10205 FEDERAL DRIVE  
COLORADO SPRINGS, CO 80908  
PH: 719-599-3400 FX: 719-599-0057  
SALES@CONCEALFAB.COM

**PROPRIETARY INFORMATION**  
USE, REPRODUCTION, OR DISCLOSURE IS SUBJECT TO RESTRICTIONS SET FORTH IN NON-DISCLOSURE AGREEMENTS AND PERTINENT CONTRACTUAL DOCUMENTS.  
© 2017 ConcealFab Corp - All Rights Reserved

**DO NOT SCALE DWG**

DIMENSIONS ARE IN INCHES

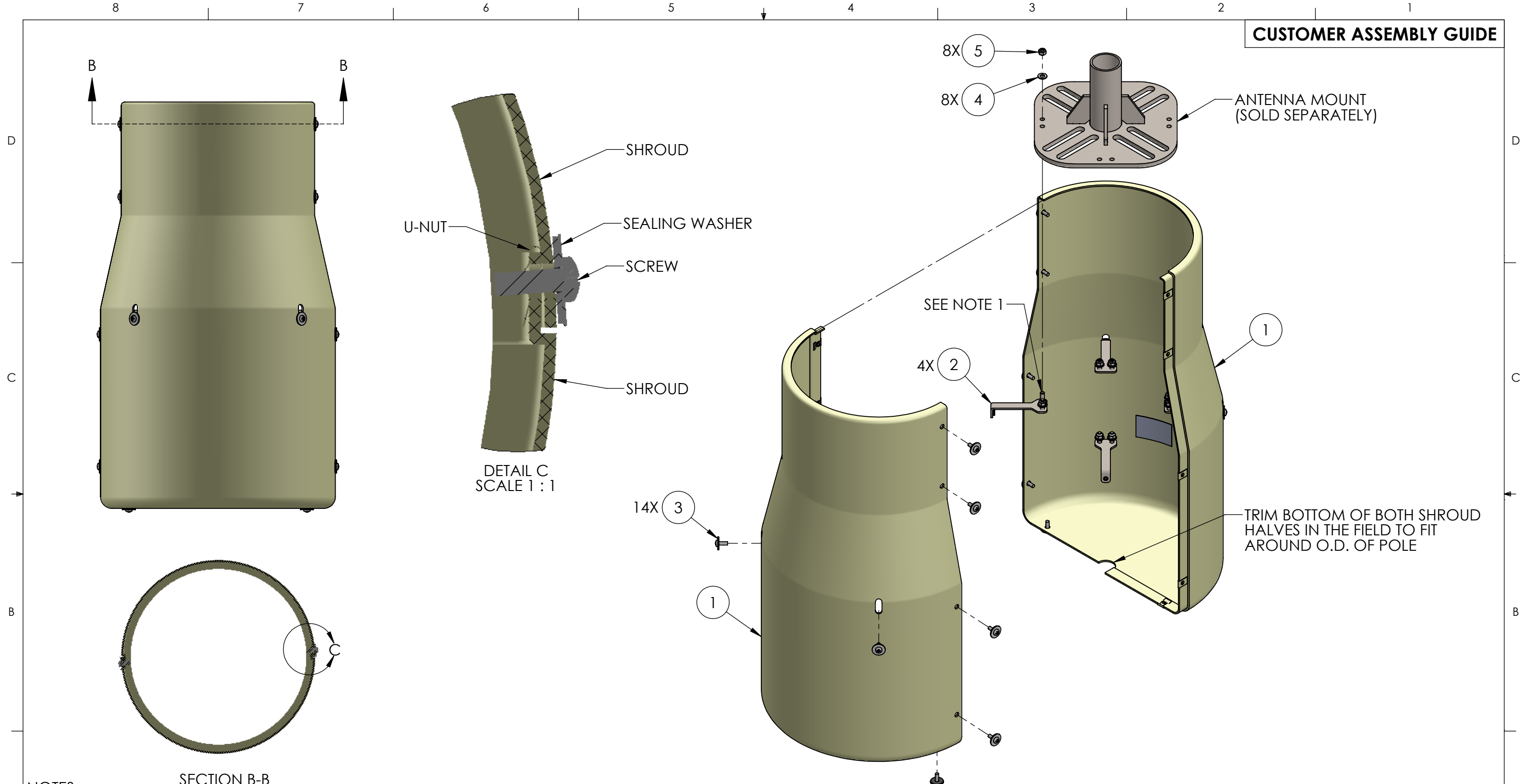
MODELED BY:	ALB	01/14/19
DRAWN BY:	ALB	01/14/19
CHECKED BY:	JAM	02/19/19

TITLE: CABLE CONCEALMENT SHROUD, WIDE DIAMETER POLE TOP MOUNT, JMA CX SERIES, KATHREIN 20 PORT

SCALE: 1:7	SHEET SIZE: B	SHEET: 1 OF 2
------------	---------------	---------------

SALES NUMBER: **900102-F**

APPROXIMATE WEIGHT	10.14 LBS
--------------------	-----------



NOTES:  
 1. STAINLESS STEEL HARDWARE TO HAVE ANTISEIZE LUBRICANT APPLIED BEFORE ASSEMBLY.

ITEM NO.	QTY.	DESCRIPTION
1	2	ASSY, SHROUD HALF, DOUBLE HOLE
2	4	PEM ASSY, SHROUD BRACKET
3	14	ASSY, WASHER, SEALING, 1/4", 18-8 SS, 1" O.D., PHMS, 1/4"-20 X 3/4" LG, 18-8 SS
4	8	WASHER, FLAT, 5/16", 18-8 SS
5	8	NUT, NYLOCK, 5/16"-18, 18-8 SS

**ConcealFab**  
 Corporation

10205 FEDERAL DRIVE  
 COLORADO SPRINGS, CO 80908  
 PH: 719-599-3400 FX: 719-599-0057  
 SALES@CONCEALFAB.COM

**PROPRIETARY INFORMATION**  
 USE, REPRODUCTION, OR DISCLOSURE IS SUBJECT TO RESTRICTIONS SET FORTH IN NON-DISCLOSURE AGREEMENTS AND PERTINENT CONTRACTUAL DOCUMENTS.  
 © 2017 ConcealFab Corp - All Rights Reserved

**DO NOT SCALE DWG**

DIMENSIONS ARE IN INCHES

MODELED BY:	ALB	01/14/19
DRAWN BY:	ALB	01/14/19
CHECKED BY:	JAM	02/19/19

TITLE: CABLE CONCEALMENT SHROUD, WIDE DIAMETER POLE TOP MOUNT, JMA CX SERIES, KATHREIN 20 PORT

SCALE:	SHEET SIZE:	SHEET:
1:7	B	2 OF 2

SALES NUMBER:  
**900102-F**