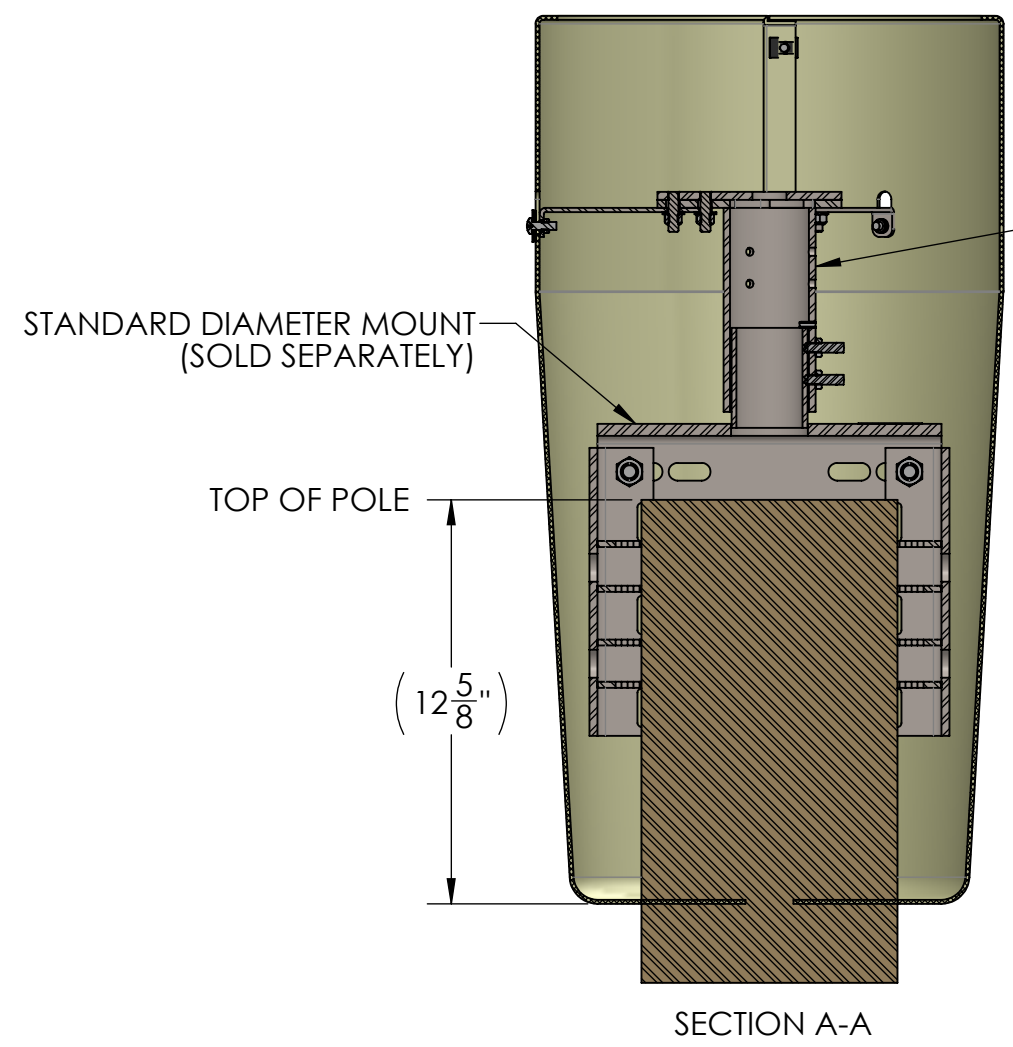
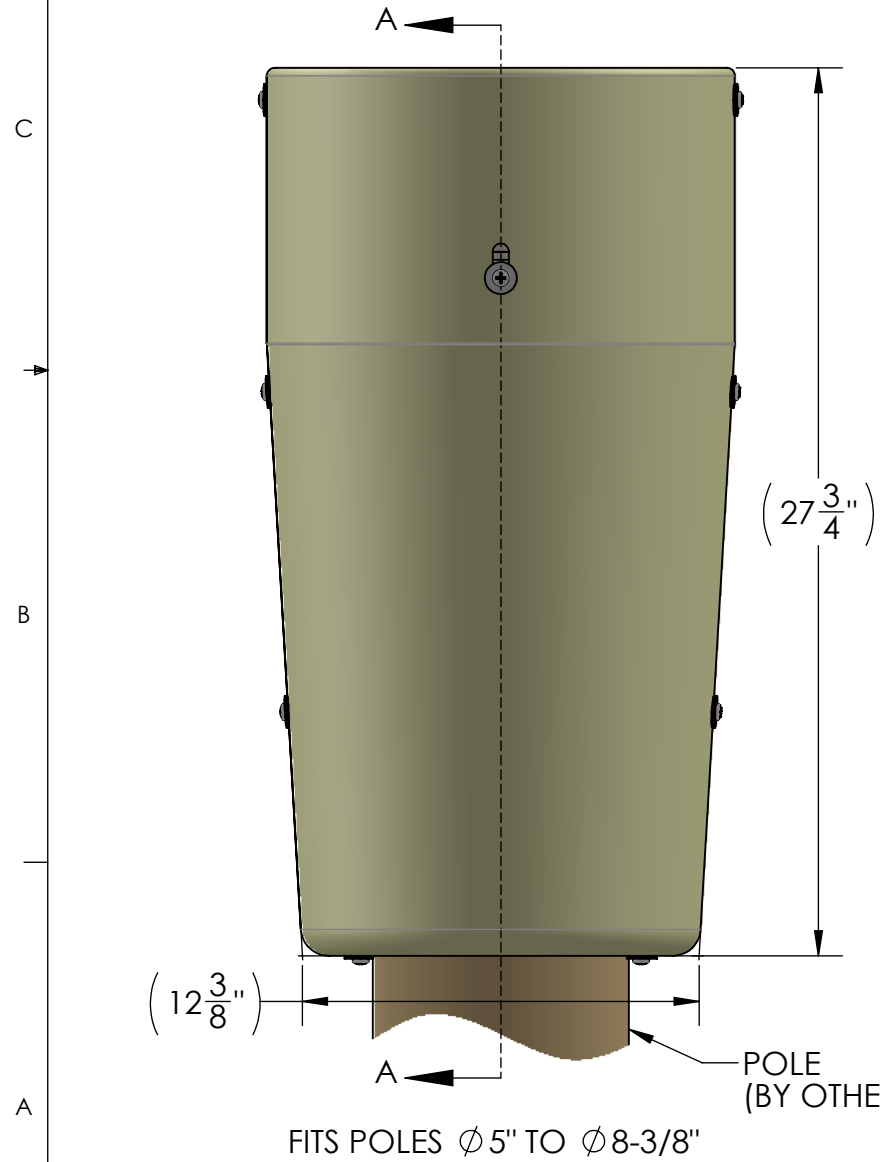
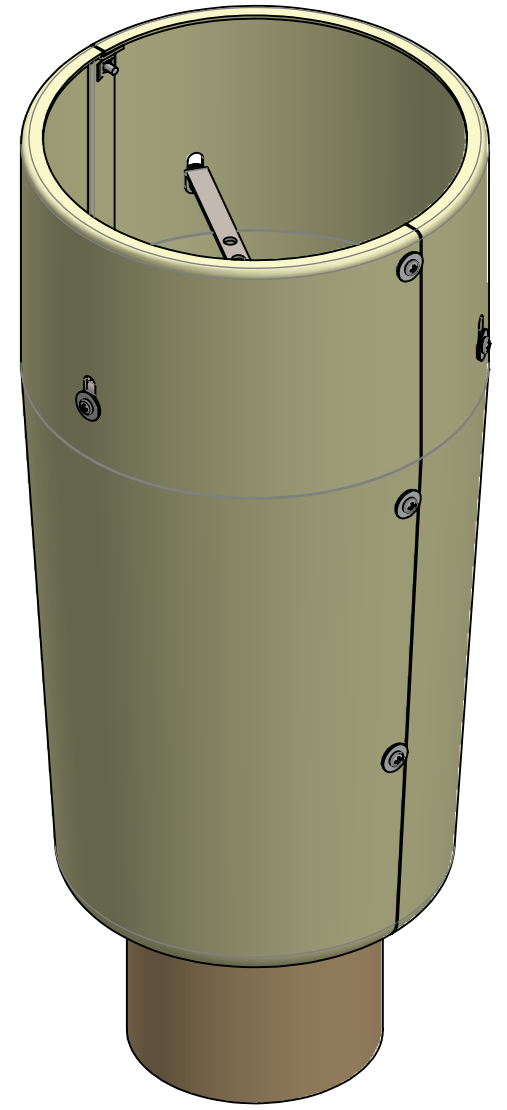
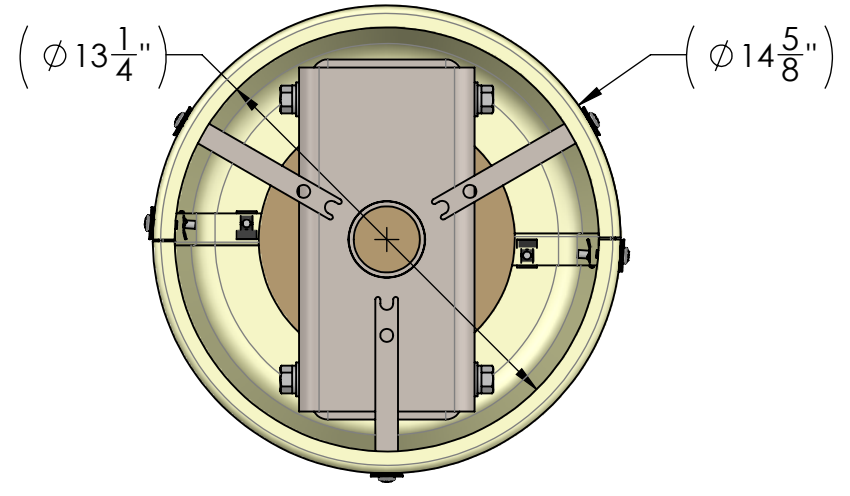


MECHANICAL OUTLINE



PART NUMBER	COLOR
900101-1	BLACK
900101-2	BROWN
900101-3	GRAY
900101-4	SILVER

ConcealFab
Corporation

10205 FEDERAL DRIVE
COLORADO SPRINGS, CO 80908
PH: 719-599-3400 FX: 719-599-0057
SALES@CONCEALFAB.COM

PROPRIETARY INFORMATION
USE, REPRODUCTION, OR DISCLOSURE IS SUBJECT TO RESTRICTIONS SET FORTH IN NON-DISCLOSURE AGREEMENTS AND PERTINENT CONTRACTUAL DOCUMENTS.
© 2017 ConcealFab Corp - All Rights Reserved

DO NOT SCALE DWG

DIMENSIONS ARE IN INCHES

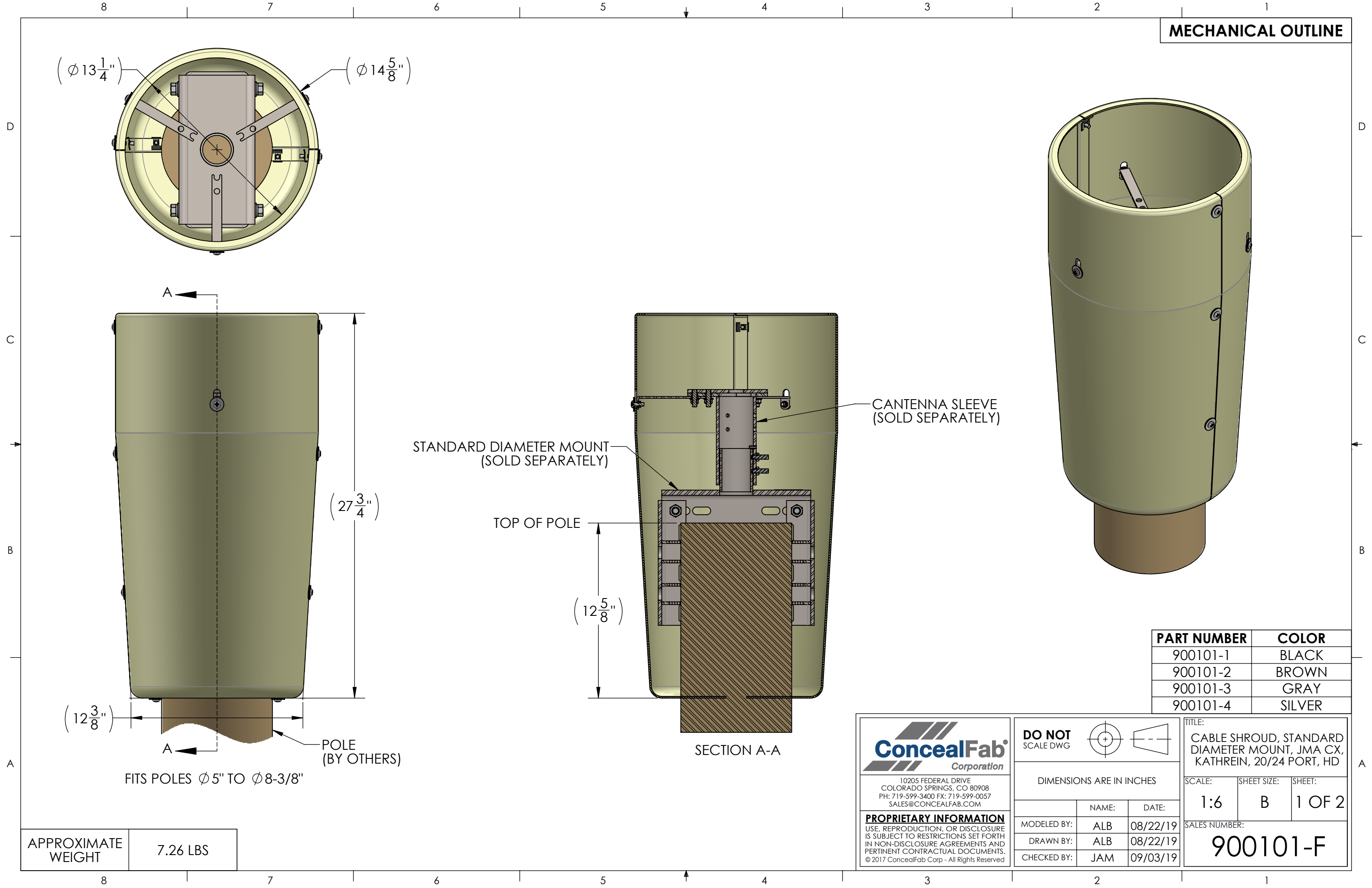
MODELED BY:	ALB	DATE:	08/22/19
DRAWN BY:	ALB	DATE:	08/22/19
CHECKED BY:	JAM	DATE:	09/03/19

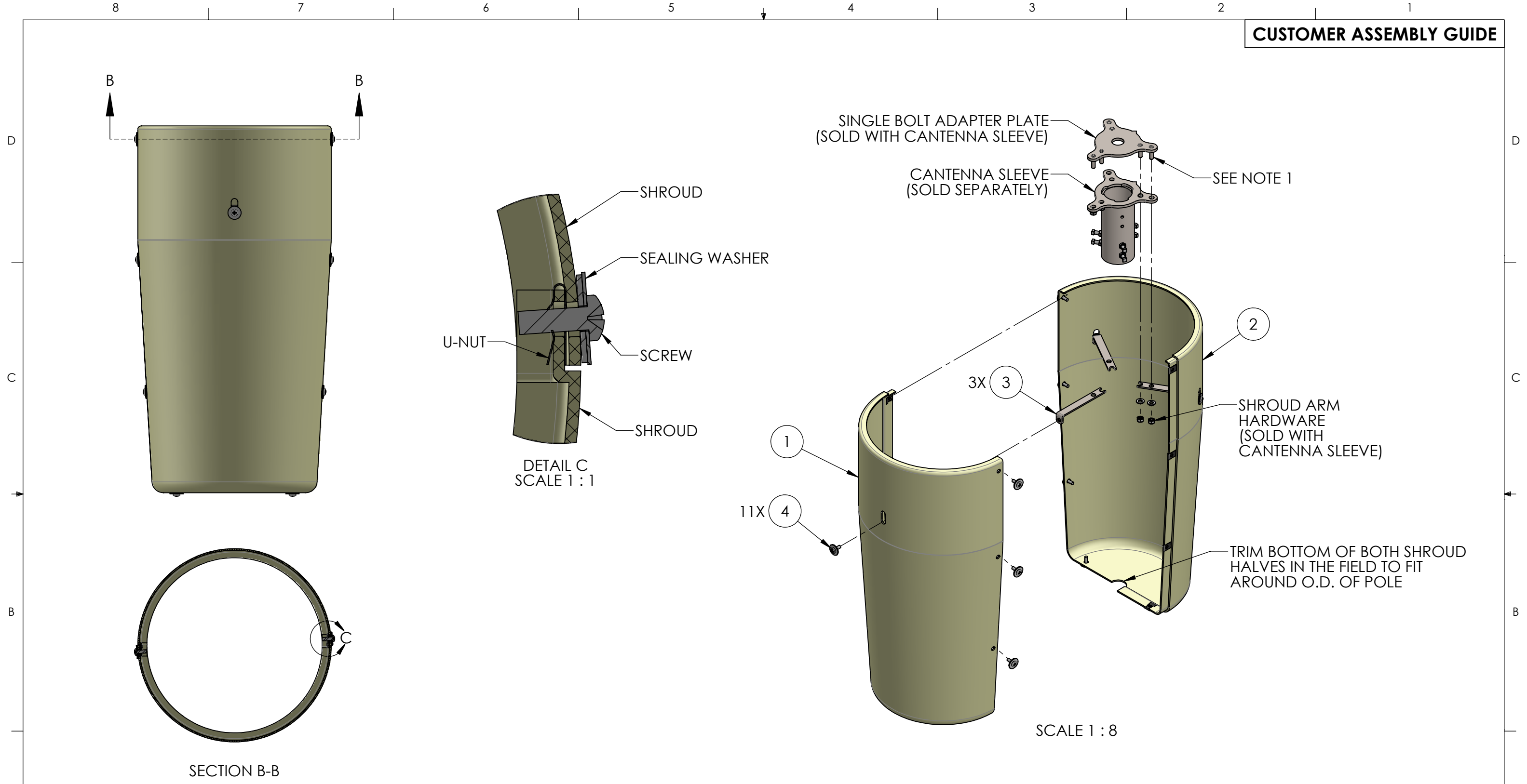
TITLE:
CABLE SHROUD, STANDARD DIAMETER MOUNT, JMA CX, KATHREIN, 20/24 PORT, HD

SCALE:	SHEET SIZE:	SHEET:
1:6	B	1 OF 2

SALES NUMBER:
900101-F

APPROXIMATE WEIGHT	7.26 LBS
--------------------	----------





NOTES:

1. STAINLESS STEEL HARDWARE SHALL HAVE ANTISEIZE LUBRICANT APPLIED BEFORE ASSEMBLY.

ITEM NO.	QTY.	DESCRIPTION
1	1	ASSY, SHROUD HALF, SINGLE HOLE
2	1	ASSY, SHROUD HALF, DOUBLE HOLE
3	3	PEM ASSY, SHROUD ARM
4	11	ASSY, WASHER, SEALING, 1/4", 18-8 SS, 1" O.D., PHMS, 1/4"-20 X 3/4" LG, 18-8 SS

ConcealFab
Corporation

10205 FEDERAL DRIVE
COLORADO SPRINGS, CO 80908
PH: 719-599-3400 FX: 719-599-0057
SALES@CONCEALFAB.COM

PROPRIETARY INFORMATION
USE, REPRODUCTION, OR DISCLOSURE IS SUBJECT TO RESTRICTIONS SET FORTH IN NON-DISCLOSURE AGREEMENTS AND PERTINENT CONTRACTUAL DOCUMENTS.
© 2017 ConcealFab Corp - All Rights Reserved

DO NOT SCALE DWG

DIMENSIONS ARE IN INCHES

MODELED BY:	ALB	DATE:	08/22/19
DRAWN BY:	ALB	DATE:	08/22/19
CHECKED BY:	JAM	DATE:	09/03/19

TITLE:
CABLE SHROUD, STANDARD DIAMETER MOUNT, JMA CX, KATHREIN, 20/24 PORT, HD

SCALE:	SHEET SIZE:	SHEET:
1:7	B	2 OF 2

SALES NUMBER:
900101-F